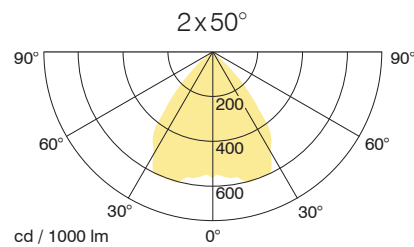
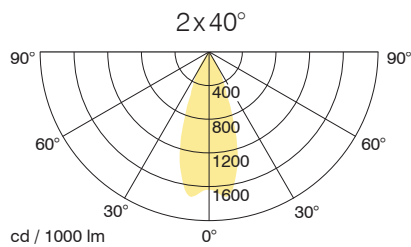
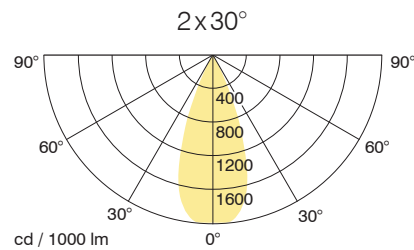
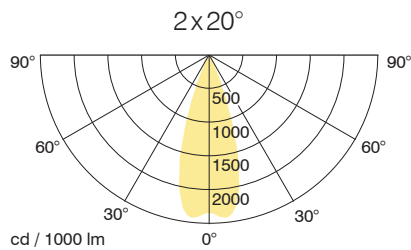
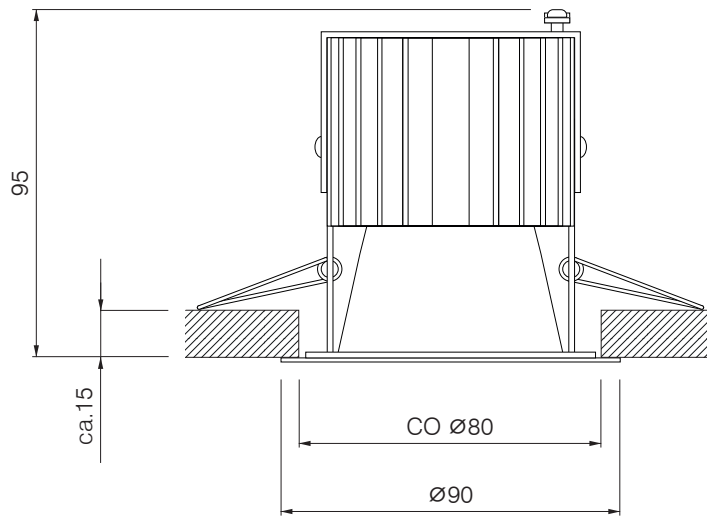


JUNIOR Downlight

Recessed luminaire

Recessed downlight Suitable for general lighting. The downlight is optimized for a smooth and glare-free illumination. Perfect as energetic exchange of halogen systems..

Lamp	Bridgelux Vero 13	Bridgelux Vero 18
LED lumen output	1025 lm @ 250 mA - 7,4 W 1395 lm @ 350 mA - 10,6 W 1910 lm @ 500 mA - 15,6 W	980 lm @ 250 mA - 6,5 W 1350 lm @ 350 mA - 9,3 W 1890 lm @ 500 mA - 13,5 W
Reflector	Reflector: J6 aluminium specular anodize	
Control gear	LED driver external	
Dimming (options)	1–10 V, DALI, Push	
Luminaire type, mounting	Ceiling recessed, tool-free with tension springs	
Dimensions	D Ø90 mm, CO Ø80 mm, H 95 mm, MD 100 mm	
Cast, heat sink	Sheet steel powder coated, extruded aluminium profile anodized black	
Colour / finish	Powder coated, RAL 9016 (other RAL colours optional)	
Protection marking, compliance	IP20, CE	
Specials	Customized versions, more light colours or colour renderings on request	



LES = 18mm

Artikelnummer: - - - - -

Luminaire type	Identification	Reflector / Beam angle	Color temperature	CRI	Driver	RAL
A = Recessed	5000	I = 2x20°	27 = 2700 K	70	EV = On/Off	0000 = none
		M = 2x30°	30 = 3000 K	80	AV = 1-10V	1000 - 9018 = RAL
		R = 2x40°	40 = 4000 K	90	DA = Dali	
		V = 2x50°	57 = 5700 K		PH = Push	