

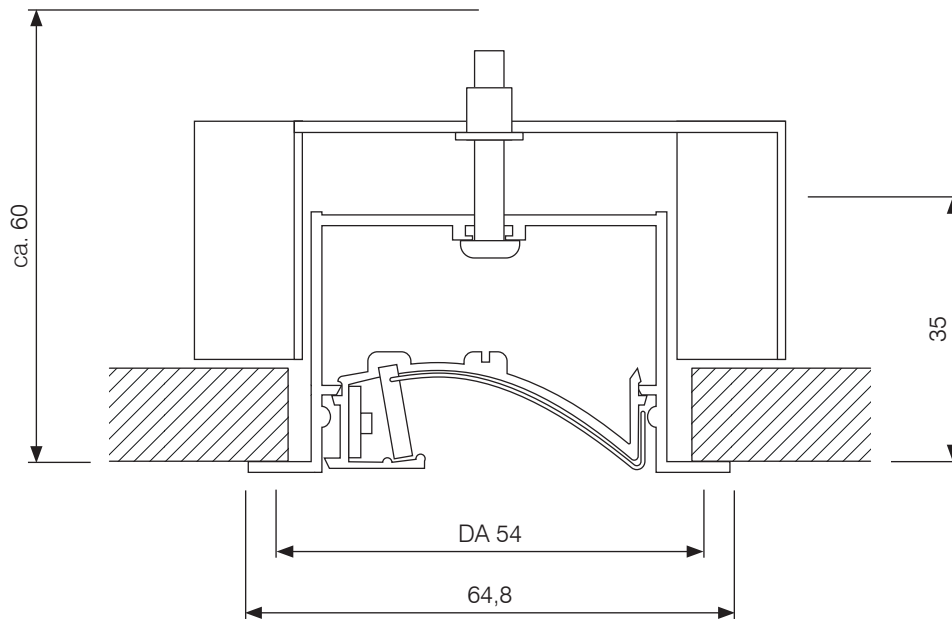
## LINE thirtyfive Wallwasher mono

Recessed ceiling luminaire



Recessed ceiling wallwasher with High-Power LEDs. The luminaire is optimized for a smooth and glare-free illumination of walls and vertical surfaces

Lamp	1,5 W per Power LED
Lumen output	approx. 100 lm/W
Reflector	aluminium reflector 2000GP Scattergloss, asymmetric
Electrical ballast	LED driver external (optional internal), dimmable
Dimming (options)	1–10 V, DALI, Push
Luminaire type, assembly	Recessed ceiling
Dimensions, weight	B 64,8 mm, H 35 mm, L=XX (Treiber intern ca. +150 mm) DA 54 mm, ET approx. 60 mm
Cast, heat sink	extruded aluminium profile
Colour /finish	powder coated, RAL 9016 (other RAL colors optional)
Protection marking, compliance	IP20, <b>CE</b>
Specials	Customized versions, more light colours or color renderings on request.



EVG on/off = EV

1-10 V = AV

Dali = DA

Push = PH

Please replace the item number placeholder XX with the listed operating device options:

Light distribution	Light colour	Color rendering	Ballast	Order No.	+RAL-No.	
<p>asymmetric</p> <p>90° 90°</p> <p>60° 60°</p> <p>30° 30°</p> <p>0°</p> <p>100</p> <p>200</p> <p>300</p> <p>400</p> <p>cd / 1000 lm</p>	2700 K	CRI 80	1-10 V, DALI, Push	A 3500 A 2780 XX	9016	
			CRI 90	1-10 V, DALI, Push	A 3500 A 2790 XX	9016
	3000 K	CRI 80	1-10 V, DALI, Push	A 3500 A 3080 XX	9016	
			CRI 90	1-10 V, DALI, Push	A 3500 A 3090 XX	9016
	4000 K	CRI 80	1-10 V, DALI, Push	A 3500 A 4080 XX	9016	
	5000 K	CRI 75	1-10 V, DALI, Push	A 3500 A 5075 XX	9016	