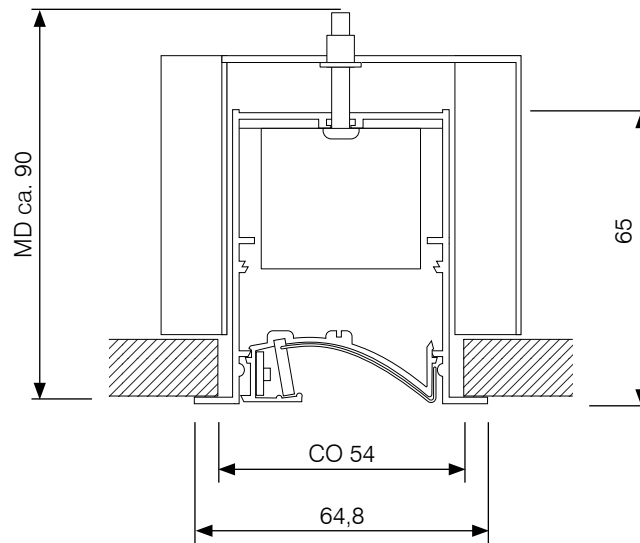


LINE sixtyfive Wallwasher mono Recessed Ceiling Luminaire



Recessed ceiling wallwasher with High-Power LEDs. The luminaire is optimized for a smooth and glare-free illumination of walls and vertical surfaces

Lamp	Power LEDs, 1,5 W, light point spacing 50 mm
Lumen output	ca. 100 lm/W
Reflector	aluminium reflector 2000GP Scattergloss, asymmetrisch
Electrical ballast	LED gear internal, dimmable
Dimming (options)	1–10 V, DALI, Push
Luminaire type, assembly	ceiling built-in, mounting bracket
Dimensions, weight	W= 64,8 mm, L=XX mm, H= 65 mm, CO= 54 mm x XX -15 mm, MD ca. 90 mm
Cast, heat sink	extruded aluminium profile, protective screen
Colour / finish	powder coated, RAL 9016 (other RAL colors optional)
Protection marking, compliance	IP20,
Specials	Customized versions, more light colours or color renderings on request.



Light distribution	Light colour	Color rendering	Ballast	Order No.	+RAL
	2700 K	CRI 80	On/Off	A 6500 A 2780 EV 9016	
			1-10 V	A 6500 A 2780 AN 9016	
			Dali	A 6500 A 2780 DA 9016	
		Push	A 6500 A 2780 PU 9016		
		CRI 90	On/Off	A 6500 A 2790 EV 9016	
			1-10 V	A 6500 A 2790 AN 9016	
	Dali		A 6500 A 2790 DA 9016		
	3000 K	CRI 80	Push	A 6500 A 2790 PU 9016	
			On/Off	A 6500 A 3080 EV 9016	
			1-10 V	A 6500 A 3080 AN 9016	
		CRI 90	Dali	A 6500 A 3080 DA 9016	
			Push	A 6500 A 3080 PU 9016	
			On/Off	A 6500 A 3090 EV 9016	
	4000 K	CRI 80	1-10 V	A 6500 A 3090 AN 9016	
			Dali	A 6500 A 3090 DA 9016	
			Push	A 6500 A 3090 PU 9016	
		CRI 90	On/Off	A 6500 A 4080 EV 9016	
			1-10 V	A 6500 A 4080 AN 9016	
Dali			A 6500 A 4080 DA 9016		
5000 K	CRI 80	Push	A 6500 A 4080 PU 9016		
		On/Off	A 6500 A 5075 EV 9016		
		1-10 V	A 6500 A 5075 AN 9016		
	CRI 75	Dali	A 6500 A 5075 DA 9016		
		Push	A 6500 A 5075 PU 9016		
		On/Off	A 6500 A 5075 EV 9016		