

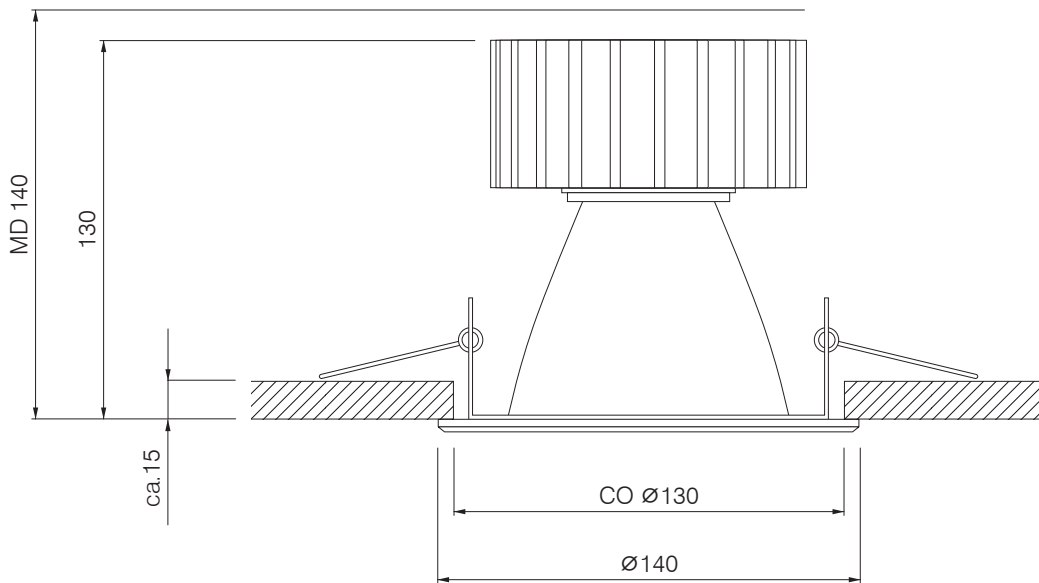


MULTI Downlight

Recessed luminaire

Recessed downlights optimized for a smooth and glare-free illumination. Perfect as well as an energetic exchange of Compact fluorescent downlights.

Lamp	Bridgelux Vero 18
LED lumen output	1330 lm @ 350 mA – 8,8 W
	1882 lm @ 500 mA – 12,6 W
	2562 lm @ 700 mA – 18,2 W
	3662 lm @ 1050 mA – 27,9 W
The reference values based on 3000 K with CRI 80	
Reflector	aluminium coated polycarbonate
Control gear	LED driver external
Dimming (Options)	1–10 V, DALI, Push
Luminaire type, assembly	Ceiling built-in, tool-free with tension springs
Dimensions	D Ø140 mm, CO Ø130 mm, H 130 mm, MD 140 mm
Cast, heat sink	Aluminium powder coated, extruded aluminium profile anodized black
Colour / finish	Powder coated, RAL 9016 (other RAL colours optional)
Protection marking, compliance	IP20, CE
Specials	Customized versions, more light colours or colour renderings on request



EVG on/off = EV

1-10 V = AV

Dali = DA

Push = PH

Please replace the item number placeholder XX with the listed operating device options:

Light distribution	Light colour	Colour rendering	Control gear	Order No.	+RAL
	2700 K	CRI 80	1-10 V, DALI, Push	A 3380 G 2780 XX	9016
	3000 K	CRI 80	1-10 V, DALI, Push	A 3380 G 3080 XX	9016
		CRI 90	1-10 V, DALI, Push	A 3380 G 3090 XX	9016
	4000 K	CRI 80	1-10 V, DALI, Push	A 3380 G 4080 XX	9016
	5000 K	CRI 75	1-10 V, DALI, Push	A 3380 G 5075 XX	9016
	2700 K	CRI 80	1-10 V, DALI, Push	A 3380 K 2780 XX	9016
	3000 K	CRI 80	1-10 V, DALI, Push	A 3380 K 3080 XX	9016
		CRI 90	1-10 V, DALI, Push	A 3380 K 3090 XX	9016
	4000 K	CRI 80	1-10 V, DALI, Push	A 3380 K 4080 XX	9016
	5000 K	CRI 75	1-10 V, DALI, Push	A 3380 K 5075 XX	9016
	2700 K	CRI 80	1-10 V, DALI, Push	A 3380 P 2780 XX	9016
	3000 K	CRI 80	1-10 V, DALI, Push	A 3380 P 3080 XX	9016
		CRI 90	1-10 V, DALI, Push	A 3380 P 3090 XX	9016
	4000 K	CRI 80	1-10 V, DALI, Push	A 3380 P 4080 XX	9016
	5000 K	CRI 75	1-10 V, DALI, Push	A 3380 P 5075 XX	9016