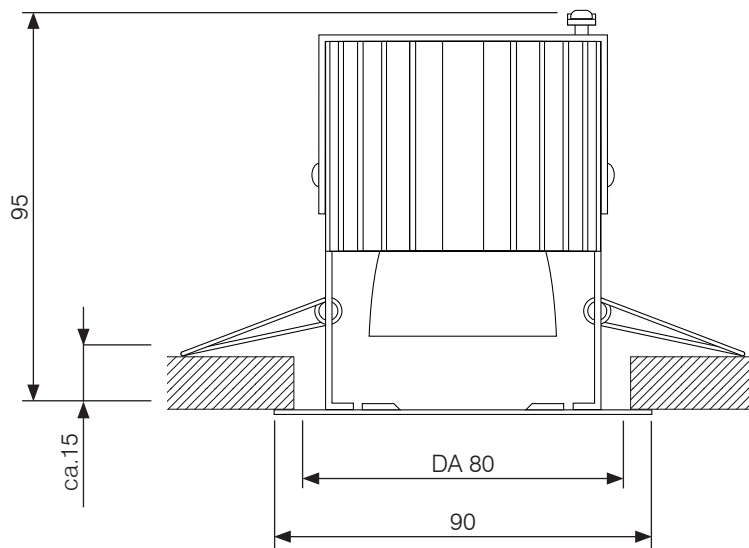


NAUTILUS LED-Downlight

Recessed ceiling luminaire

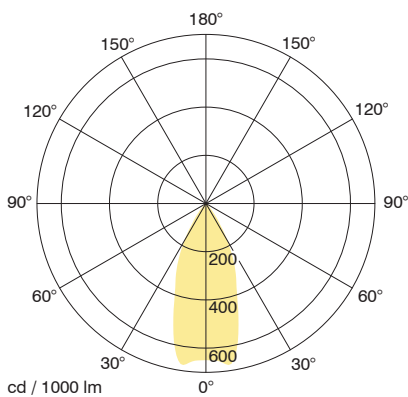
Recessed downlight for general lighting. The combination of a deep reflector and tight light exit prevented. Ideal as a glare-free, economical exchange of low-voltage spotlights.

Lamp	Bridgelux Vero 13 (2 x 30°, 2 x 40°)	Bridgelux Vero 18 (2 x 20°, 2 x 50°)
LED lumen output	1025 lm @ 250 mA - 7,4 W 1395 lm @ 350 mA - 10,6 W 1910 lm @ 500 mA - 15,6 W	980 lm @ 250 mA - 6,5 W 1350 lm @ 350 mA - 9,3 W 1890 lm @ 500 mA - 13,5 W
Reflector	Aluminium anodised	
Control gear	LED driver external	
Dimming (options)	On/Off, 1–10 V, DALI, Push	
Luminaire type, mounting	Ceiling recessed, tool-free with tension springs	
Dimensions	D 90 mm, CO 80 mm, MD 100 mm	
Cast, heat sink	Sheet steel, extruded aluminium profile	
Colour /finish	Powder coated, RAL 9016 (other RAL colours optional)	
Protection marking, compliance	IP20, CE	
Specials	Customized versions, more light colours or colour renderings on request	



Light distribution

2 x 30°



Light colour	Colour rendering	Control gear	Order No.	+RAL	
2700 K	CRI 80	On/Off	A 3470 M 2780 EV 9016		
		1-10 V	A 3470 M 2780 AN 9016		
		Dali	A 3470 M 2780 DA 9016		
		Phase	A 3470 M 2780 PH 9016		
		Push	A 3470 M 2780 PU 9016		
		CRI 90	On/Off	A 3470 M 2790 EV 9016	
	1-10 V		A 3470 M 2790 AN 9016		
	Dali		A 3470 M 2790 DA 9016		
	Phase		A 3470 M 2790 PH 9016		
	Push		A 3470 M 2790 PU 9016		
	3000 K		CRI 80	On/Off	A 3470 M 3080 EV 9016
		1-10 V		A 3470 M 3080 AN 9016	
Dali		A 3470 M 3080 DA 9016			
Phase		A 3470 M 3080 PH 9016			
Push		A 3470 M 3080 PU 9016			
CRI 90		On/Off		A 3470 M 3090 EV 9016	
		1-10 V	A 3470 M 3090 AN 9016		
		Dali	A 3470 M 3090 DA 9016		
		Phase	A 3470 M 3090 PH 9016		
		Push	A 3470 M 3090 PU 9016		
		4000 K	CRI 80	On/Off	A 3470 M 4080 EV 9016
1-10 V				A 3470 M 4080 AN 9016	
Dali	A 3470 M 4080 DA 9016				
Phase	A 3470 M 4080 PH 9016				
Push	A 3470 M 4080 PU 9016				
CRI 90	On/Off			A 3470 M 4090 EV 9016	
	1-10 V		A 3470 M 4090 AN 9016		
	Dali		A 3470 M 4090 DA 9016		
	Phase		A 3470 M 4090 PH 9016		
	Push		A 3470 M 4090 PU 9016		