

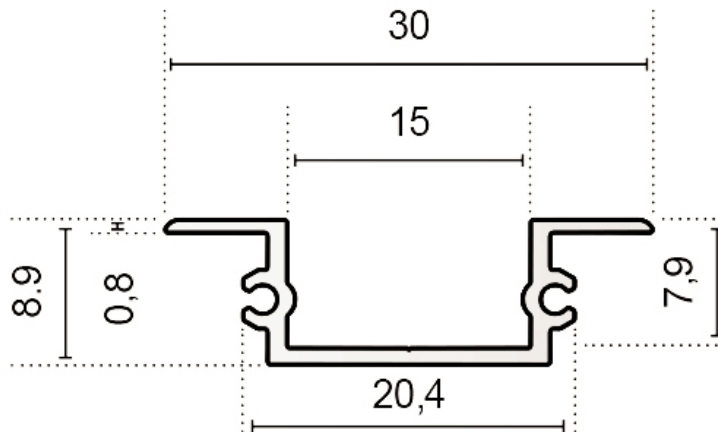


LINE 30 diffus mono

Recessed ceiling luminaire

Linear recessed ceiling luminaire with high-power LEDs optimized for scale and glare-free illumination. Ideal as energy-matic outgoing mobility of fluorescent systems.

Lamp	1,5 W pro Power LED
Lumen output	approx. 100 lm/W
Lighting technology	Reflector: acrylic diffuser
Control gear	LED driver internal
Dimming (options)	1–10 V, DALI, Push
Luminaire type, assembly	Ceiling recessed
Dimensions	W 30 mm, H 9 mm, L=XX, DA 20,4 mm, ET ca. 8 mm
Cast, heat sink	Extruded aluminum profile
Colour / finish	Powder coating, RAL 9016 (optional RAL color as desired)
Protection marking, compliance	IP 20, CE
Specials	Customized versions, more light colours or color renderings on request



Light distribution	Light colour	Colour rendering	Control gear	Order No.	+RAL	
	2700 K	CRI 80	On/Off	A 6100 Z 2780 EV 9016		
			1-10 V	A 6100 Z 2780 AN 9016		
			Dali	A 6100 Z 2780 DA 9016		
			Push	A 6100 Z 2780 PU 9016		
		CRI 90	On/Off	A 6100 Z 2790 EV 9016		
			1-10 V	A 6100 Z 2790 AN 9016		
			Dali	A 6100 Z 2790 DA 9016		
			Push	A 6100 Z 2790 PU 9016		
		3000 K	CRI 80	On/Off	A 6100 Z 3080 EV 9016	
				1-10 V	A 6100 Z 3080 AN 9016	
				Dali	A 6100 Z 3080 DA 9016	
			CRI 90	Push	A 6100 Z 3080 PU 9016	
	On/Off			A 6100 Z 3090 EV 9016		
	1-10 V			A 6100 Z 3090 AN 9016		
	4000 K	CRI 80	Dali	A 6100 Z 3090 DA 9016		
			Push	A 6100 Z 3090 PU 9016		
			On/Off	A 6100 Z 4080 EV 9016		
		CRI 90	1-10 V	A 6100 Z 4080 AN 9016		
			Dali	A 6100 Z 4080 DA 9016		
			Push	A 6100 Z 4080 PU 9016		
	5000 K	CRI 80	On/Off	A 6100 Z 5075 EV 9016		
			1-10 V	A 6100 Z 5075 AN 9016		
			Dali	A 6100 Z 5075 DA 9016		
		CRI 75	Dali	A 6100 Z 5075 DA 9016		
Push			A 6100 Z 5075 PU 9016			
On/Off			A 6100 Z 5075 EV 9016			