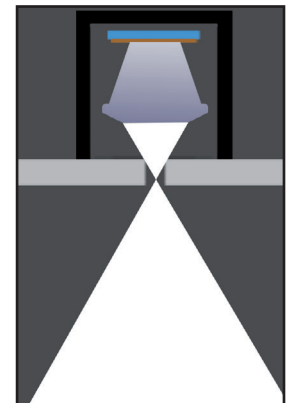


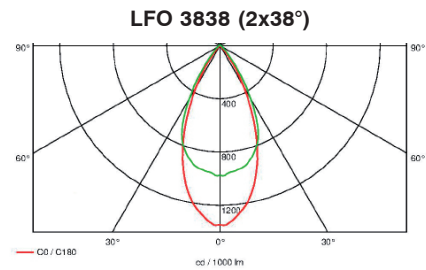
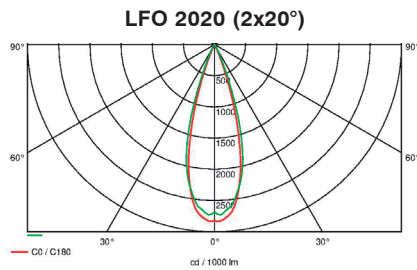
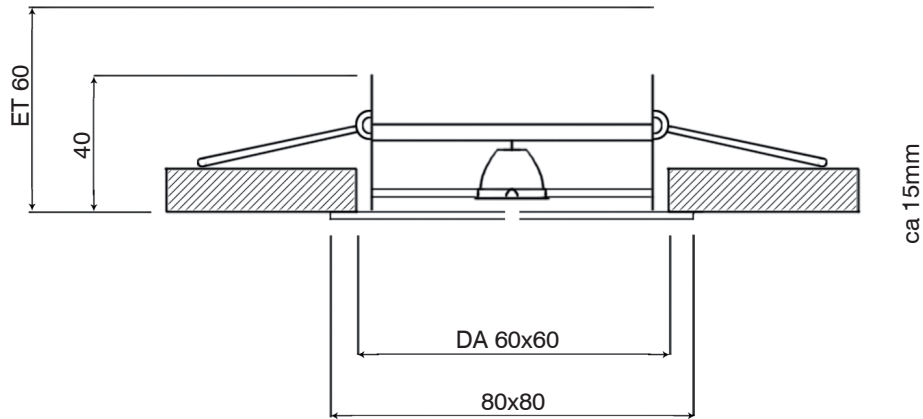
## LFO SOLO

### Recessed luminaire

Recessed ceiling luminaire with a high-power LED optimized for scale and glare-free illumination. Ideal as an energetic outgoing mobility of low-voltage downlights.



Lamp	High power LED, 4W at 350mA
Lumen output	approx. 440lm @ 2700K / 3000K (CRI 80), ca. 380lm @ 4000k (CRI 90)
Lighting technology	Polycarbonate
Control gear	LED driver external
Dimming (options)	1–10 V, DALI, Push
Luminaire type, assembly	Recessed ceiling, without tools with torsion springs
Dimensions	W= 80mm, H= 80mm, ET= 60mm, DA= 60mm
Cast, heat sink	Steel
Colour / finish	Powder coating, RAL 9016 (optional RAL color as desired)
Protection marking, compliance	IP20, <b>CE</b>
Specials	Customized versions, more light colours or color renderings on request



Article number: - - - - -

Luminaire type	Identification	Reflector / Beam angle	Color temperature	CRI	Driver	RAL
<b>A</b> = Recessed	<b>5650</b>	<b>I</b> = 2x20°	<b>27</b> = 2700 K	<b>70</b>	<b>EV</b> = On/Off	<b>0000</b> = None
		<b>Q</b> = 2x38°	<b>30</b> = 3000 K	<b>80</b>	<b>AV</b> = 1-10V	<b>1000 - 9018</b> = RAL
			<b>40</b> = 4000 K	<b>90</b>	<b>DA</b> = Dali	
			<b>57</b> = 5700 K	<b>8H</b> = HighFlux	<b>PH</b> = Push	
			<b>98</b> = 2200 K - 5000 K	<b>9H</b> = HighFlux		
			<b>99</b> = 2700 K - 5700 K			