



# LED Flood Light

LEDioc FL90

- ▶ Ra80 high colour rendering ensures clear illumination of objects
- ▶ 2 colour variations available: white daylight (5,000K) and warm incandescent (3,000K)
- ▶ 90W LED capable of delivering brightness equivalent to 150W metal halide lamp (5,000K/Ra65 type)



# LED Flood Light

## LEDioc FL90

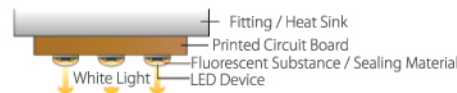
- ▶ Quickly reaches full brightness
- ▶ Proprietary light distribution control technology allows for two types of luminous intensity distribution: medium beam and wide beam
- ▶ Any-position structure allows for various mounting directions and angles
- ▶ Ra80 high colour rendering ensures clear illumination of objects
- ▶ 2 colour variations available: white daylight (5,000K) and warm incandescent (3,000K)
- ▶ 90W LED with brightness equivalent to 150W metal halide lamp (5,000K/Ra65 type)
- ▶ Highly efficient/high-powered COB-type LED package
- ▶ Long life: 40,000 hours



### COB-Type LED Package

This light source, offering top-class energy saving performance has been achieved through a new optical design utilising both a lens and a mirror, and also through highly efficient use of electric power. With COB (Chip On Board) type lighting, large numbers of LED devices are mounted directly onto the substrate. As light is therefore emitted from a single uniform surface, a natural lighting environment of even brightness, close to that created by surface emission, can be achieved.

### Standard LED Package



### COB-Type LED Package



### Product Series

Model Number	Power Consumption	CCT	CRI	Luminous Flux	Beam Angle	Luminous Efficacy
ECF0901W/650/E	93W	5,000K	65	8,300lm	Wide Beam	89.2lm/W
ECF0901W/850/E	93W	5,000K	80	7,200lm	Wide Beam	77.4lm/W
ECF0901W/830/E	93W	3,000K	80	6,700lm	Wide Beam	72.0lm/W
ECF0901M/650/E	93W	5,000K	65	7,720lm	Medium Beam	83.0lm/W
ECF0901M/850/E	93W	5,000K	80	6,700lm	Medium Beam	72.0lm/W
ECF0901M/830/E	93W	3,000K	80	6,230lm	Medium Beam	67.0lm/W

### Specifications:

- Operating Temperature Range: -20 to +40°C
- IP Code: IP65
- Certification: CE

### Optical:

- Half Intensity Angle: 30° × 20°, 20°
- Lumen Maintenance (L80): 60,000 hours at 35°C  
40,000 hours at 40°C

### Electrical:

- Input Voltage: 220 - 240V

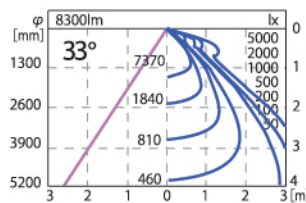
### Mechanical:

- Body: Die-Cast Aluminium (Except Front Section)
- Front Section: Acrylic
- Finish Colour: Dark Grey

### Photometrics:

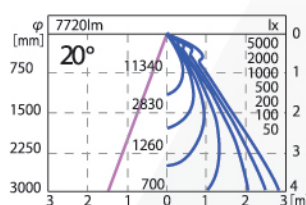
#### ECF0901W/650

CCT: 5,000K, CRI: 65  
Rated Luminous Flux: 8,300lm  
Luminous Efficacy: 89.2lm/W



#### ECF0901M/650

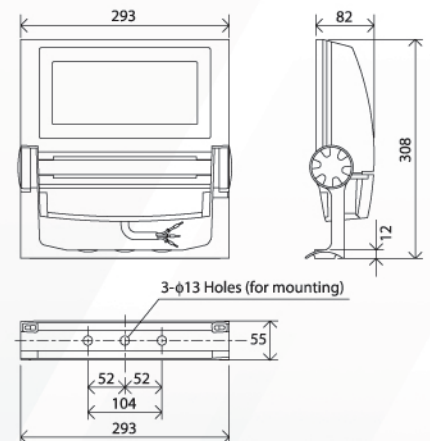
CCT: 5,000K, CRI: 65  
Rated Luminous Flux: 7,720lm  
Luminous Efficacy: 83.0lm/W



\*Above shows half intensity angle (not beam angle).

### Dimensions / Weight:

- W: 293 × H: 308 × D: 82mm
- 5.5kg



IP65

**IWASAKI**

**IWASAKI ELECTRIC CO., LTD.**

Bakurocho-Daiichi Building, 1-4-16, Nihonbashi-Bakurocho,  
Chuo-ku, Tokyo 103-0002, Japan  
Tel: +81-3-5847-8630 Fax: +81-3-5847-8647  
www.eye.co.jp

Copyright ©2014, IWASAKI ELECTRIC CO., LTD. All Rights Reserved.

