

GALILEO 1	
MAIN CHARACTERISTICS	
Applications	Flood lighting, large areas and street lighting.
Optic	ASP / ASC: Multi-focal asymmetric optic with adjustable emission. STU: Asymmetrical optic for street lighting (urban). STE: Asymmetrical optic for street lighting (suburban). STW: Asymmetrical optic for wide roads and wet asphalts lighting. S05: Asymmetrical optic for urban and street lighting. Colour temperature: 4000K (3000K, 5700K optional), CRI ≥ 70 Photobiological safety class: EXEMPT GROUP LED source efficiency: 138 lm/W @ 700mA, T _j =85°C, 4000K
Insulation class	I - II
Protection degree	IP66 IK08
LED Modules	Removable / Replaceable optical unit
Tilt Angle	<i>See dimensional drawings section</i>
Dimensions	
Weight	
Exposed surface	
Mounting	Mounting with adjustable integrated flange (<i>See available flanges section</i>)
Gear tray	Integrated. Removable
Operating temp.	-40°C / +50°C (525mA) -40°C / +35°C (700mA)
Storage temp.	-40°C / +80°C
Main reference standards	EN 60598-1, EN 60598-2-3, EN 60598-2-5, EN 62471, EN 55015, EN 61547, EN 61000-3-2, EN 61000-3-3
ELECTRICAL CHARACTERISTICS	
Rated voltage	220-240V 50/60Hz (Standard tolerance +/-10%, other voltages and tolerances upon request)
LED current	525mA 700mA
Power factor	>0,9 (at full load)
Mains connection	Cable H07RN-F 450/750V with quick release connector M/F IP66/68 for cables 2/3 x 2.5mm ² , Dmax=12mm Optional: Cable FG7-OR 0.6/1kV
Control system	F: Fixed power (base version) DA: Automatic dimming (virtual midnight) with default profile. DB: Dual power with control wire. DALI: Digital interface. PLM: Single point communication module. WL: Wireless single point communication module.
Surge protection	Integrated SPD, 10kV-10kA. Pulse withstand ≥8kV CM/DM
Optical unit lifetime (Ta=25°C)	525mA
	700mA
	>70.000hr L80B10 (including critical fail.) >55.000hr L80B10 (including critical fail.)
	>100.000hr L80, TM-21 >100.000hr L80, TM-21
MATERIALS	
Fixing	Galvanized and painted steel
Heat-sink	Die-cast aluminium UNI EN1706 with low copper content.
Body	Powder painted.
Optic	99.85% aluminium with a surface finish in 99.95% with vacuum-sealed deposition. Alluminum grade class A+ (DIN EN 16268)
Screen	Flat tempered glass, 4mm thickness. High transparency.
Cable gland	Metallic, M20x1,5 – IP68
Gasket	Polyurethane

ASYMMETRICAL OPTIC

LUMINAIRE FLUX ¹ (Ta=25°C, 4000K, lm)		
LED MODULES	525mA	700mA
ASP-7W ASP-7N ASC-7W Optic		
1	4310	5390
2	8640	10800
3	13130	16170
ASP-6W ASP-6N ASC-6W Optic		
1	4350	5450
2	8730	10920
3	13280	16350
ASP-5W ASP-5N ASC-5W Optic		
1	4390	5510
2	8820	11040
3	13430	16530
ASP-4W ASP-4N ASC-4W Optic		
1	4410	5540
2	8860	11100
3	13500	16620

RATED LED FLUX ² (Tj=85°C, 4000K, lm)	
525mA	700mA
ASP ASC Optics	
5112	6468
10224	12936
15336	19404

Multiplier to obtain the **luminous flux** as a function of Ta and Tk.

Ta(°C)	Multiplier
50	0,94
40	0,96
25	1,00
15	1,02
5	1,04
0	1,05
Tk(K)	Multiplier
3000	0.92
4000	1.00
5700	1.03

Multiplier to obtain the **power** as a function of Ta.

Ta (°C)	Multiplier
50	0.99
25	1.00
0	1,01

Legend:

Ta = Ambient temperature.
Tk = Colour temperature.

RATED LUMINAIRE POWER ¹ (Ta=25°C, Vin=230Vac, W) F and DA at full load		
LED MODULES	525mA	700mA
ASP ASC Optics		
1	41	53,5
2	81,5	107
3	116	150

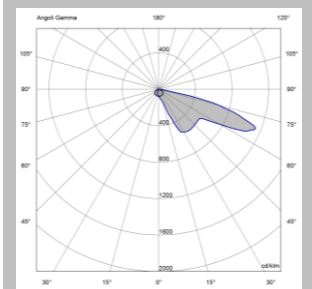
RATED LED POWER ² (Tj=85°C, W)	
525mA	700mA
ASP ASC Optics	
35	47
70	94
105	141

LUMINAIRE EFFICIENCY (Ta=25°C, lm/W)		
LED MODULES	525mA	700mA
ASP-7W ASP-7N ASC-7W Optic		
1	105	101
2	106	101
3	113	108
ASP-6W ASP-6N ASC-6W Optic		
1	106	102
2	107	102
3	114	109
ASP-5W ASP-5N ASC-5W Optic		
1	107	103
2	108	103
3	116	110
ASP-4W ASP-4N ASC-4W Optic		
1	108	104
2	109	104
3	116	111

The tables above describe the flux and output power of the available versions. These parameters are necessary in order to guarantee a correct comparison of the luminaire performance. In particular, the luminaire efficiency (expressed in lm/W) must be calculated as the ratio between the output luminous flux of the luminaire and the power absorbed by the input power supply unit. For the sake of completeness the tables also show the data of the nominal flux and power of the used LED.

Note:

- 1:Rated data obtained in laboratory
- 2:Rated data extrapolated from LED manufacturer datasheet.



ASP-7W Optic

All the published photometrical data has been obtained according to EN 13032-1



STREET OPTIC

LUMINAIRE FLUX ¹ (Ta=25°C, 4000K, lm)		
LED MODULES	525mA	700mA
STE-S / STE-M / STW Optic		
2	4440	5570
4	8990	11170
6	13330	16460
STU-S / STU-M / S05 Optic		
2	3210	4060
4	6560	8310
6	9750	12300

RATED LED FLUX ² (Tj=85°C, 4000K, lm)	
525mA	700mA
STE-S / STE-M / STW Optic	
5112	6468
10224	12936
15336	19404
STU-S / STU-M / S05 Optic	
3810	4714
7620	9428
11430	14142

RATED LUMINAIRE POWER ¹ (Ta=25°C, Vin=230Vac, W) F and DA at full load		
LED MODULES	525mA	700mA
STE-S / STE-M / STW Optic		
2	41,5	54,5
4	78	103
6	116	150
STU-S / STU-M / S05 Optic		
2	32,5	42,5
4	60	80
6	90	118

RATED LED POWER ² (Tj=85°C, W)	
525mA	700mA
STE-S / STE-M / STW Optic	
35	47
70	94
105	141
STU-S / STU-M / S05 Optic	
26	34
52	69
78	103

LUMINAIRE EFFICIENCY (Ta=25°C, lm/W)		
LED MODULES	525mA	700mA
Optica STE-S / STE-M / STW		
2	107	102
4	115	108
6	115	110
Optica STU-S / STU-M		
2	99	96
4	109	104
6	108	104

The tables above describe the flux and output power of the available versions. These parameters are necessary in order to guarantee a correct comparison of the luminaire performance.

In particular, the luminaire efficiency (expressed in lm/W) must be calculated as the ratio between the output luminous flux of the luminaire and the power absorbed by the input power supply unit.

For the sake of completeness the tables also show the data of the nominal flux and power of the used LED.

Note:

1:Rated data obtained in laboratory

2:Rated data extrapolated from LED manufacturer datasheet.

Multiplier to obtain the **luminous flux** as a function of Ta and Tk.

Ta(°C)	Multiplier
50	0,94
40	0,96
25	1,00
15	1,02
5	1,04
0	1,05
Tk(K)	Multiplier
3000	0,92
4000	1,00
5700	1,03

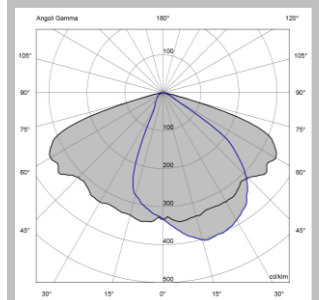
Multiplier to obtain the **power** as a function of Ta.

Ta (°C)	Multiplier
50	0,99
25	1,00
0	1,01

Legend:

Ta = Ambient temperature.

Tk = Colour temperature.



All the published photometrical data has been obtained according to EN 13032-1

GALILEO 1

1 MODULE ASP / ASC

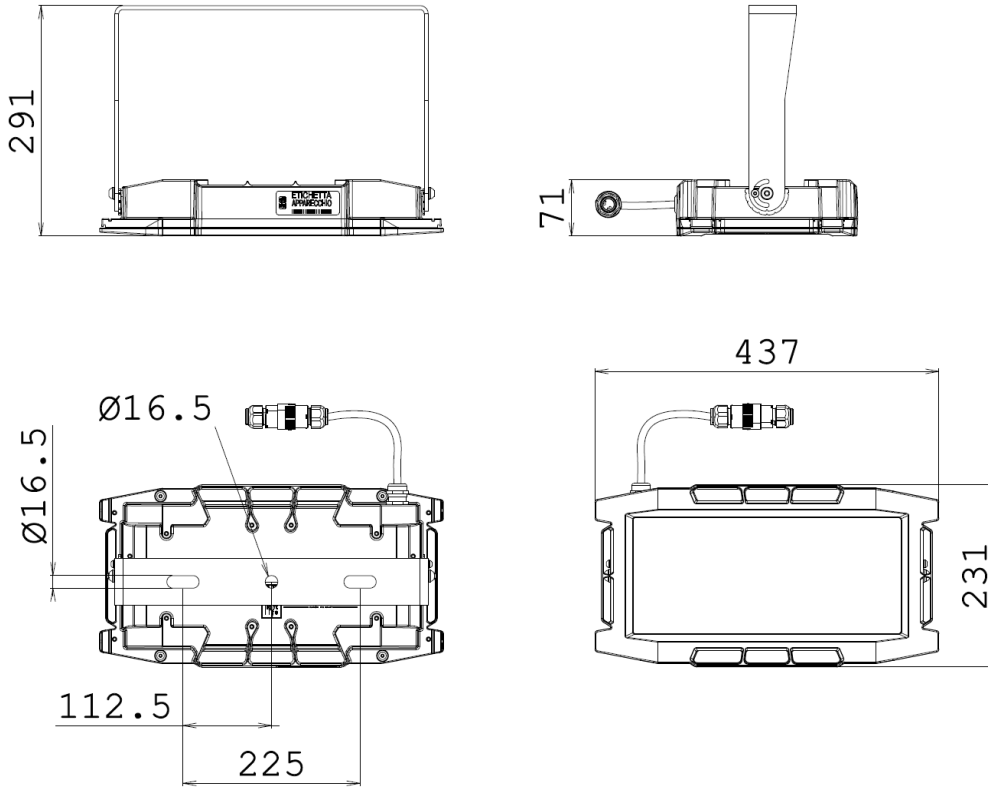
2 MODULES STE / STU / STW / S05

DIMENSIONAL DRAWINGS

WEIGHT WITHOUT FIXING FLANGES: 4.3 kg

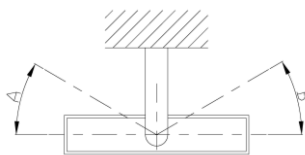
SIDE SURFACE: 0.03 m²

TOP SURFACE: 0.1 m²



AVAILABLE FIXING FLANGES

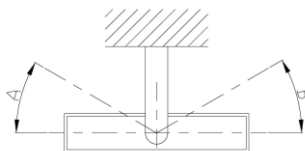
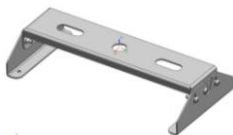
BRACKET A



A = 90°
B = 90°

1.6 kg

BRACKET B



A = 10°
B = 10°

0.6 kg

BRACKET G



GALILEO 1

2 / 3 MODULE ASP / ASC

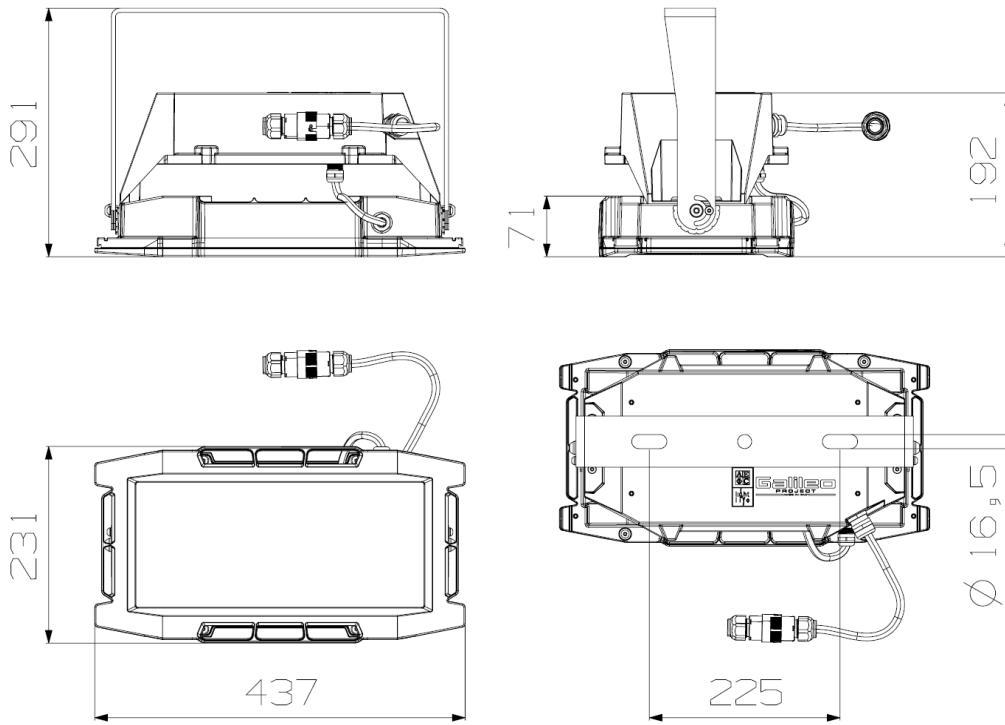
4 / 6 MODULES STE / STU / STW / S05

DIMENSIONAL DRAWINGS

WEIGHT WITHOUT FIXING FLANGES: 8.3 kg

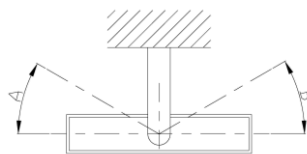
SIDE SURFACE: 0.06 m²

TOP SURFACE: 0.1 m²



AVAILABLE FIXING FLANGES

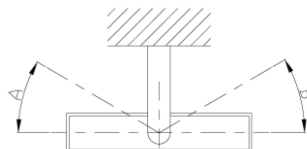
BRACKET A - STANDARD



A = 90°
B = 90°

1.6 kg

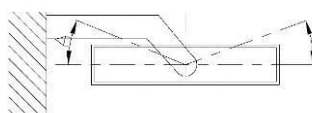
BRACKET B - OPTIONAL



A = 10°
B = 10°

0.6 kg

BRACKET G - OPTIONAL



A = 20°
B = 85°

1.3 kg



The characteristics of the product listed above are subjected to change. They will have to be confirmed in case of order. Values indicated in this technical sheet are to be considered rated values subject to a tolerance of +/-5%. Data listed above are subject to change without notice.

