

**2020**COLLECTION

GRIVEND 



GRIVEN  





GRIVEN has quickly established a reputation as 'Italian Manufacturer of Choice' since 1990 through its superb craftsmanship and inexhaustible passion. Moving its first steps in the thriving entertainment lighting industry, GRIVEN engineered a comprehensive collection of state-of-the-art light fittings distributing them the world over through a selected network of lighting specialists.

In its quest to keep ahead of a constantly expanding industry scenario, in 2001 GRIVEN embraced the LED technology, steering decisively towards the architectural lighting market where it soon became one of the most dynamic and successful manufacturers the world over. Since then GRIVEN has further strengthened its product portfolio as well as its international presence with its innovative dynamic LED colour changing and white light solutions. Nowadays we deliver custom solutions for any special lighting design need and our continued cooperation with worldwide renowned lighting designers is a bountiful source of inspiration.

The improved combination of sustainability and performance has revealed functional and groundbreaking elements that represent the foundation of this latest collection, too. GRIVEN undertakes the next challenges calling for the design of an advanced though sustainable range of lighting equipment that undoubtedly is also a crucial medium for wellbeing, user comfort and an even more aesthetically pleasing environment without compromising future generations.





2020 marks 30 years from the foundation and is the starting point for new exciting paths towards an evolution primed to reach new frontiers. This begins with the renewal of our image choosing a more contemporary take to assert our identity. We regard this transformation phase as a great opportunity to reaffirm our company's identity and values.

Based on a stylish, neat font combined with essential features, the new logo delivers our philosophy through a circle and a square crossing to create a soulful image.

The SQUARE symbolises our rational self and it epitomises our technical side, our engineering capacity and quality commitment. This attitude allows us to be always at the forefront in the development of highly performing, reliable and technically advanced luminaires.

The CIRCLE embodies our irrational self, our creativity and inventiveness, vision and intuition. It translates into our quest for harmonious design and maximum flexibility in the creation of lighting tools capable of winning the most demanding challenges.

Merging into our company logo, these graphic signs create a visual intersection emblematically connecting two opposite worlds to generate a unique brand identity, blending boundless creativity and technical know-how into a success formula.



TELSTRA  
PLAZA

Adelaide Oval

Ticket Office

Adelaide Oval

South Gate

Adelaide Oval





#### SUSTAINIBILITY MADE IN ITALY

Since our foundation we at GRIVEN have been proudly designing and manufacturing all our lighting fixtures in Italy. Innovation and durability, sustainability and efficiency are our main guidelines for the creation of all our product ranges, which are the result of high build and design standards of the MADE IN ITALY tradition. We consider our respect for the environment an integral part of our activities. Our careful procedures allow no waste, no polluting emissions, and no dangerous leaks. We care about our future and firmly want to improve the general environmental awareness through a coherent behaviour, by promoting greener engineering and production dynamics.

#### CUSTOMISED TO YOUR NEEDS

We are capable of customising down to the smallest detail our standard designs and all of our light fittings can rely upon extreme flexibility in the personalisation capability. Each idea is embraced from its inception to the development phase and the final realisation. Lighting designers and architects find in GRIVEN a perfect partner to achieve even the most audacious concepts, where the finishing, the photometric distribution, the LED configuration, the plug and play connection, the marine grade anti-corrosion treatment, the bespoke full-orientation fixing system, the smart color output management and the individual LED-array control provide the extra distinctiveness that makes a difference.





#### POLAR EDITION

Available for a wide selection of our lighting fixtures, the Polar Edition features an integrated de-icing system with electrically heated glass, which assures a comfortable functioning even in the utmost severe cold weather conditions. A front glass de-icing system with electronic voltage supply management allows for instant light output and access to full power flux. Comfortable operations are certified up to  $-40^{\circ}\text{C}$  ( $-40^{\circ}\text{F}$ ).

#### ELECTRONIC THERMAL MANAGEMENT

Active junction temperature internal monitoring enables to withstand the warmest exterior weather conditions and guarantees the most efficient heat dissipation for safety, performance, high lumen maintenance standards and electronic components longevity.

Seamless operations are certified up to  $50^{\circ}\text{C}$  ( $122^{\circ}\text{F}$ ).

#### MAXIMUM CONTROL FLEXIBILITY AND COMPATIBILITY

Easy system configuration and manpower costs reduction are guaranteed by the plug&play set-up provided by the standardised or custom power-and-data cables connection supplied with outdoor rated connectors.

Maximum control flexibility is assured by the comprehensive compatibility with the industry lighting management standards and optional data transmission via DMX, DALI or CASAMBI protocols, where RFU, RDM, self-addressing or stand-alone modes are available options, wireless, too.



GRIVEN

INDEX



GRIVEND 

# CATALOGUE

# SYMBOLS

# LEGEND



RGB



RGBW



MULTICHIP



DYNAMIC WHITE



COLD WHITE



NATURAL WHITE



WARM WHITE



WHITE RAL 9003



GRIVEN GREY



ANTHRACITE RAL 7016



BLACK RAL 9005



POLAR EDITION



DMX MODE



REMOTE FIRMWARE UPDATE  
FUNCTION



REMOTE DEVICE MANAGEMENT  
FUNCTION



DALI MODE



INDEPENDENT PIXEL FIXTURE



SELF-ADDRESSING FIXTURE



WIRELESS DATA  
COMMUNICATION SYSTEM



CLASS I



CLASS III



INGRESS PROTECTION RATING



IMPACT PROTECTION RATING



WEIGHT



ANTI-SALINE TREATMENT



ANTI-SLIP TREATMENT



LOAD BEARING



FOCUS FUNCTION



ELECTRONIC LINEAR 0-100%  
DIMMER FUNCTION



ELECTRONIC STROBE FUNCTION



ELECTRONIC BLACKOUT  
FUNCTION



ROTATING GOBO



FIXED GOBO



ROTATING COLOUR WHEEL



PRISM EFFECT



PULSE EFFECT



ZOOM



OPTIONAL FEATURE

## CUSTOMISATIONS

This catalogue features a broad range of standard designs covering several lighting industry applications. However, we also have in-house prototype and customisation capabilities to accommodate modifications so to assure maximum products adaptation to specific site conditions and dedicated project requirements.

## SQUARE SHAPED FIXTURES

# FAÇADE LIGHTING



CAPITAL 600  
19



CAPITAL 600 US  
23



CAPITAL 600 MC  
27



CAPITAL 300  
31



CAPITAL 300 US  
35



CAPITAL 300 MC  
39



CAPITAL 200  
43



CAPITAL 200 US  
47



CAPITAL 200 MC  
51



CAPITAL 100  
55



CAPITAL 100 US  
59



CAPITAL 100 MC  
63



ONYX XQ  
67

## ROUND SHAPED FIXTURES

# FAÇADE LIGHTING



JASPER  
73



RUBY MC  
77



RUBY XP  
81



JADE 16  
85



JADE 9  
89



MICRO-CLIP MC  
93



MICRO-CLIP MK2 W  
93



MICRO-CLIP XQ  
97

**LINEAR MODULES**

LINEAR WALL  
GRAZING



PARADE L  
103



MICROPARADE  
107



NANOPARADE  
111

**ROUND SHAPED FIXTURES**

RECESSED  
APPLICATIONS



DUNE MC  
127



DUNE MK2  
131



RUBY MC R  
135



RUBY R  
139



SATHURNO  
143



MICRO-DUNE MC  
147



MICRO-DUNE MK2 W  
147



MICRO-DUNE XQ  
151



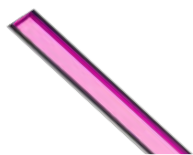
ATHOMO  
155

**LINEAR MODULES**

RECESSED  
APPLICATIONS



PARADE L RECESSED  
117



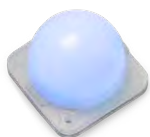
MOLED  
121



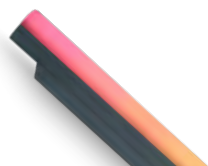
# MULTIMEDIA PIXEL LIGHTING



GRAPH-i-CELL  
161



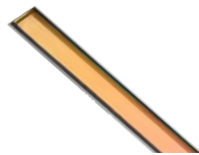
GRAPH-i-DOT  
165



GRAPH-i-LINE  
169



GRAPH-i-PIX  
173



MOLED GRAPHIC  
177

# WATER FEATURES LIGHTING



MAXI WATERLED  
193



WATERLED MK2  
197



MINI WATERLED  
201

# IMAGE PROJECTION

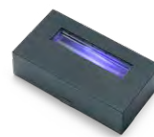


GOBOLED 500  
183



GOBOLED 80 D  
187

# ACCENT LIGHTING



EKLIPSE  
207



ORPHEO S  
211

APPENDIX  
215

ACKNOWLEDGEMENT  
221





# FAÇADE LIGHTING

SQUARE SHAPED FIXTURES

Completely revamped by a new series of modular and highly flexible fixtures, our flagship product range boasts a fully restyled design, supported by a clean shape and sleek profile, allowing for seamless integration in every architectural context. High power fixtures for striking output even at long distances, as well as more compact models for outstanding illumination at medium reach, can be configured with multiple options for the utmost adaptability to different project prerequisites. The new combination of premium class RGBW LEDs, featuring 4000K natural white, delivers the widest range of warm white shades and pastel tones assortment. Alternative white light, tunable white and, on request, monochrome or multiple bespoke colour selection versions further ensure maximum chromatic adaptability. A full selection of high build design optics offers the utmost efficiency, balanced projection and photometric flexibility. The digital control via DMX512 protocol includes also stand-alone, Master-Slave, Remote Firmware Update (RFU), and Remote Device Management (RDM) functions. CSA certified versions as well as Polar Edition options have been developed for each model. Four different finish colour options are now available as standard features to take this remarkable range to a superior level.

GRIVEN 



# CAPITAL 600

FAÇADE LIGHTING

Combining a minimal, neat design with brilliant performance capabilities, GRIVEN's latest generation of the **CAPITAL 600** floodlight series is available with a vast choice of combinable optics and colour configurations for the maximum lighting design flexibility. Featuring full independent control of each LED bank, this double cluster luminaire allows absolute freedom to create impressive matching or divergent dynamic effects on large-scale façades and remote spots with a surprising luminous output.

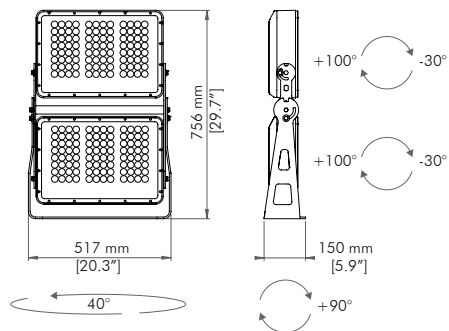


CAPITAL 600

GRIVEN 

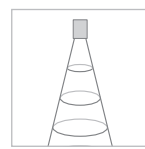
# CAPITAL 600

GRIVEN 



## BEAM ANGLE REFERENCE

RGBW		WHITE LIGHT	
SPOT	8°	SPOT	12°
NARROW	12°	NARROW	15°
MEDIUM	23°	MEDIUM	25°
WIDE	43°	WIDE	47°
EXTRA WIDE	68°	EXTRA WIDE	61°
ELLIPTICAL	11°x41°	ELLIPTICAL	14°x39°
ELLIPTICAL WIDE	22°x39°	ELLIPTICAL WIDE	23°x37°
WALL WASH	14°(5° incline)x37°	WALL WASH	19°(5° incline)x38°



MAX OUTPUT  
62790 lm  
(SP CW configuration)

PHOTOMETRIC DETAILS AVAILABLE ON OUR WEBSITE

## FEATURES AND OPTIONS



## ACCESSORIES



**AL8235**  
VISOR (one for each bank)



**AL1321** INFRARED  
REMOTE CONTROL



**AL8274** BEEHIVE ANTIGLARE  
(one for each bank)



**AL8236**  
SNOOT (one for each bank)



**AL8237** WIRE GUARD  
(one for each bank)

## CODES

AL5020 CAPITAL 600

AL5022 CAPITAL 600 POLAR EDITION

## LED TYPE

RN RGB+W 4000K  
DW From 2700K to 6500K  
CW Cold White 6500K  
NW Natural White 4000K  
WW Warm White 3000K

## CONTROL SYSTEM

R DMX-RDM  
W DMX-RDM wireless  
D DALI

## FINISH

W White RAL 9003  
G GRIVEN Grey  
A Anthracite RAL 7016  
B Black RAL 9005

## CABLE TYPE

S POWER IN, DMX IN, DMX OUT  
C Monocable with connectors  
M Monocable without connectors  
D POWER IN, DALI IN, DALI OUT

## OPTICS\*

AL8239 SPOT OPTICS  
AL8240 NARROW OPTICS  
AL8241 MEDIUM OPTICS  
AL8242 WIDE OPTICS  
AL8243 EXTRA WIDE OPTICS  
AL8244 ELLIPTICAL OPTICS  
AL8245 ELLIPTICAL WIDE OPTICS  
AL8275 WALL WASH OPTICS

## NOTES

Unless an RDM compatible control is used, CAPITAL 600 must always be purchased with AL1321 Infrared Remote Control. More CAPITAL 600 units can be controlled with one AL1321. \*CAPITAL 600 must always be purchased with two of the above listed optics.

## TECHNICAL SPECIFICATIONS

CAPITAL 600 is an IP67 powerful single-mount floodlight, whose die cast aluminium body hosts 192 high brightness RGBW, Dynamic White, Cold White, Natural White, Warm White or, on request, monochrome power LEDs. Dimensions: 517 mm x 150 mm x 756 mm. Available in DMX, automatic and Master-Slave mode, it also features RFU (Remote firmware update), and RDM (Remote device management) functions. DALI or DMX-RDM wireless control available on request. Unless an RDM compatible control is used, one Infrared Remote Control AL1321 must always be purchased for one or more CAPITAL 600 units in order to access DMX addressing, stand-alone operations and DMX channels configurations. Power supply: standard 100÷277V / 50-60Hz. Power consumption: RGBW 2.7A @ 230V / 598W max, W 2.6A @ 230V / 580W max. An Electrical Class I appliance, it also features self-resetting fuse protection as well as integrated electronic thermal protection management. The Polar Edition, fitted with an integrated de-icing system with electrically heated glass, is available on request. Operating temperature: -40°C to 50°C (-40°F to 122°F).

DIGITAL CONTROL SYSTEM SPECIFICATIONS AND CONFIGURATIONS AVAILABLE ON OUR WEBSITE



SOUTH KOREA\_Yeongkwang Great Bridge, Jeollanam-Do Province





# CAPITAL 600 US

FAÇADE LIGHTING

Combining a minimal, neat design with brilliant performance capabilities, **CAPITAL 600 US** features an ultra-spot, long-shot beam of light capable of reaching remarkable distances with accurate beam angle definition. The full independent control of each LED bank allows absolute freedom in the creation of impressive matching or divergent dynamic effects on previously unreachable and remote spots with a surprising luminous output.

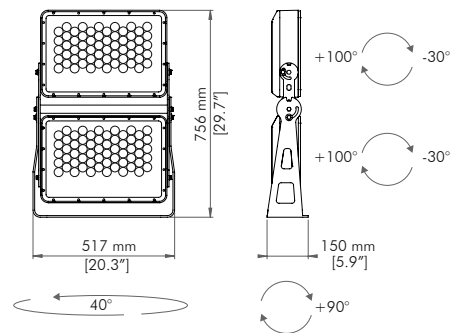


CAPITAL 600 US

GRIVEND 

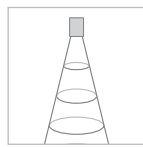
# CAPITAL 600 US

GRIVEND 



## BEAM ANGLE REFERENCE

ULTRA SPOT 3.2°



MAX OUTPUT  
20300 lm  
(US CW configuration)

PHOTOMETRIC DETAILS AVAILABLE ON OUR WEBSITE

## FEATURES AND OPTIONS



## ACCESSORIES



## CODES

AL5024 CAPITAL 600 US

AL5025 CAPITAL 600 US POLAR EDITION

## LED TYPE

RN RGB+W 4000K  
DW From 2700K to 6500K  
CW Cold White 6500K  
NW Natural White 4000K  
WW Warm White 3000K

## CONTROL SYSTEM

R DMX-RDM  
W DMX-RDM wireless  
D DALI

## FINISH

W White RAL 9003  
G GRIVEN Grey  
A Anthracite RAL 7016  
B Black RAL 9005

## CABLE TYPE

S POWER IN, DMX IN, DMX OUT  
C Monocable with connectors  
M Monocable without connectors  
D POWER IN, DALI IN, DALI OUT

## OPTICS\*

AL8238 ULTRA SPOT OPTICS

## NOTES

Unless an RDM compatible control is used, CAPITAL 600 US must always be purchased with AL1321 Infrared Remote Control. More CAPITAL 600 US units can be controlled with one AL1321. \*CAPITAL 600 US must always be purchased with two of the above listed optics.

## TECHNICAL SPECIFICATIONS

CAPITAL 600 US is an IP67 powerful single-mount light fitting, whose die cast aluminium body hosts 120 high brightness RGBW, Dynamic White, Cold White, Natural White, Warm White or, on request, monochrome power LEDs. Dimensions: 517 mm x 150 mm x 756 mm. Available in DMX, automatic and Master-Slave mode, it also features RFU (Remote firmware update), and RDM (Remote device management) functions. DALI or DMX-RDM wireless control available on request. Unless an RDM compatible control is used, one Infrared Remote Control AL1321 must always be purchased for one or more CAPITAL 600 US units in order to access DMX addressing, stand-alone operations and DMX channels configurations. Power supply: standard 100÷277V / 50-60Hz. Power consumption: 1.9A @ 230V / 406W max. An Electrical Class I appliance, it also features self-resetting fuse protection as well as integrated electronic thermal protection management. The Polar Edition, fitted with an integrated de-icing system with electrically heated glass, is available on request. Operating temperature: -40°C to 50°C (-40°F to 122°F).

DIGITAL CONTROL SYSTEM SPECIFICATIONS AND CONFIGURATIONS AVAILABLE ON OUR WEBSITE



MOROCCO\_Noor Tower, Ouarzazate



# CAPITAL 600 MC

FAÇADE LIGHTING

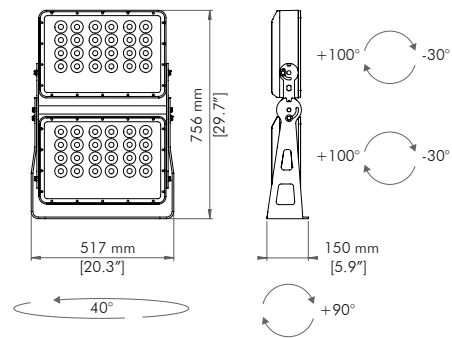
Combining a minimal, neat design with brilliant performance capabilities, **CAPITAL 600 MC** is available with a choice of optics for the maximum lighting design flexibility. Responding to the lighting designer's need for aesthetic appeal and chromatic adaptability, **CAPITAL 600 MC** features multichip LEDs, which enhance seamless light distribution and smooth colour transition. Featuring full independent control of each LED bank, this double cluster luminaire allows absolute freedom to create impressive matching or divergent dynamic effects on large-scale façades with a surprising luminous output.



CAPITAL 600 MC

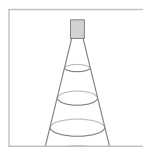
# CAPITAL 600 MC

GRIVEND 



## BEAM ANGLE REFERENCE

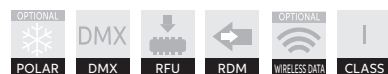
SPOT	7°
NARROW	10°
MEDIUM	23°
WIDE	35°



MAX OUTPUT  
17661 lm  
(SP DW configuration)

PHOTOMETRIC DETAILS AVAILABLE ON OUR WEBSITE

## FEATURES AND OPTIONS



## ACCESSORIES



AL8235  
VISOR (one for each bank)



AL1321 INFRARED  
REMOTE CONTROL



AL8236  
SNOOT (one for each bank)



AL8237 WIRE GUARD  
(one for each bank)

## CODES

AL5021 CAPITAL 600 MC

AL5023 CAPITAL 600 MC POLAR EDITION

## LED TYPE

RN RGB+W 4000K

DW From 3000K to 6500K

## CONTROL SYSTEM

R DMX-RDM

W DMX-RDM wireless

## FINISH

W White RAL 9003

G GRIVEN Grey

A Anthracite RAL 7016

B Black RAL 9005

## CABLE TYPE

S POWER IN, DMX IN, DMX OUT

C Monocable with connectors

M Monocable without connectors

## OPTICS\*

AL8246 SPOT OPTICS

AL8247 NARROW OPTICS

AL8248 MEDIUM OPTICS

AL8249 WIDE OPTICS

## NOTES

Unless an RDM compatible control is used, CAPITAL 600 MC must always be purchased with AL1321 Infrared Remote Control. More CAPITAL 600 MC units can be controlled with one AL1321. \*CAPITAL 600 MC must always be purchased with two of the above listed optics.

## TECHNICAL SPECIFICATIONS

CAPITAL 600 MC is an IP67 powerful floodlight, whose die cast aluminium body hosts 48 high brightness RGBW or Dynamic White multichip LEDs. Dimensions: 517 mm x 150 mm x 756 mm. Available in DMX, automatic and Master-Slave mode, it also features RFU (Remote firmware update), and RDM (Remote device management) functions. DALI or DMX-RDM wireless control available on request. Unless an RDM compatible control is used, one Infrared Remote Control AL1321 must always be purchased for one or more CAPITAL 600 MC units in order to access DMX addressing, stand-alone operations and DMX channels configurations. Power supply: standard 100÷277V / 50-60Hz. Power consumption: 2.6A @ 230V / 490W max. An Electrical Class I appliance, it also features self-resetting fuse protection as well as integrated electronic thermal protection management. The Polar Edition, fitted with an integrated de-icing system with electrically heated glass, is available on request. Operating temperature: -40°C to 50°C (-40°F to 122°F).

DIGITAL CONTROL SYSTEM SPECIFICATIONS AND CONFIGURATIONS AVAILABLE ON OUR WEBSITE



POLAND\_Palace of Culture and Science, Warsaw





# CAPITAL 300

FAÇADE LIGHTING

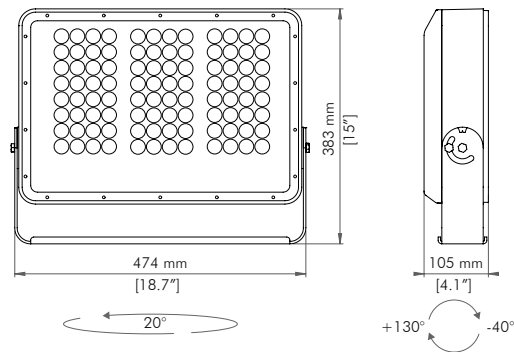
Featuring an elegant, stylish design and a sleek profile, which allow a seamless integration in every architectural environment, **CAPITAL 300** is the ideal solution for the dramatic illumination of large scale façades and high-rise buildings calling for high impact lighting. With an industry leading high lumen package, this luminaire effectively achieves desired goals, ranging from wall washing applications to architectural elements distinctive enhancement.



CAPITAL 300

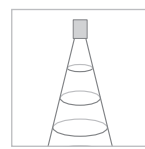
# CAPITAL 300

GRIVEND 



## BEAM ANGLE REFERENCE

RGBW		WHITE LIGHT	
SPOT	8°	SPOT	12°
NARROW	12°	NARROW	15°
MEDIUM	23°	MEDIUM	25°
WIDE	43°	WIDE	47°
EXTRA WIDE	68°	EXTRA WIDE	61°
ELLIPTICAL	11°x41°	ELLIPTICAL	14°x39°
ELLIPTICAL WIDE	22°x39°	ELLIPTICAL WIDE	23°x37°
WALL WASH	14°(5° incline)x37°	WALL WASH	19°(5° incline)x38°



PHOTOMETRIC DETAILS AVAILABLE ON OUR WEBSITE

## FEATURES AND OPTIONS



## ACCESSORIES



## CODES

AL5014 CAPITAL 300

AL5015 CAPITAL 300 POLAR EDITION

## OPTICS

SP Spot  
NA Narrow  
ME Medium  
WI Wide  
EW Extra wide  
EL Elliptical  
WL Elliptical wide  
WW Wall wash

## LED TYPE

RN RGB+W 4000K  
DW From 2700K to 6500K  
CW Cold White 6500K  
NW Natural White 4000K  
WW Warm White 3000K

## CONTROL SYSTEM

R DMX-RDM  
W DMX-RDM wireless  
D DALI

## FINISH

W White RAL 9003  
G GRIVEN Grey  
A Anthracite RAL 7016  
B Black RAL 9005

## CABLE TYPE

S POWER IN, DMX IN, DMX OUT  
C Monocable with connectors  
M Monocable without connectors  
D POWER IN, DALI IN, DALI OUT

## NOTES

Unless an RDM compatible control is used, CAPITAL 300 must always be purchased with AL1321 Infrared Remote Control. More CAPITAL 300 units can be controlled with one AL1321.

## TECHNICAL SPECIFICATIONS

CAPITAL 300 is an IP67 powerful floodlight, whose die cast aluminium body hosts 96 high brightness RGBW, Dynamic White, Cold White, Natural White, Warm White or, on request, monochrome power LEDs. Dimensions: 474 mm x 105 mm x 383 mm. Available in DMX, automatic and Master-Slave mode, it also features RFU (Remote firmware update), and RDM (Remote device management) functions. DALI or DMX-RDM wireless control available on request. Unless an RDM compatible control is used, one Infrared Remote Control AL1321 must always be purchased for one or more CAPITAL 300 units in order to access DMX addressing, stand-alone operations and DMX channels configurations. Power supply: standard 100÷277V / 50-60Hz. Power consumption: RGBW 1.34A @ 230V / 299W max, W 1.3A @ 230V / 290W max. An Electrical Class I appliance, it also features self-resetting fuse protection as well as integrated electronic thermal protection management. The Polar Edition, fitted with an integrated de-icing system with electrically heated glass, is available on request. Operating temperature: -40°C to 50°C (-40°F to 122°F).

DIGITAL CONTROL SYSTEM SPECIFICATIONS AND CONFIGURATIONS AVAILABLE ON OUR WEBSITE



Bolte Bridge



# CAPITAL 300 US

FAÇADE LIGHTING

Combining a minimal, neat design with brilliant performance capabilities, **CAPITAL 300 US** features an ultra-spot, long-shot beam of light capable of reaching remarkable distances with accurate beam angle definition. **CAPITAL 300 US** is the ideal solution for an impressive illumination of high-rise buildings calling for a well-defined impact lighting.

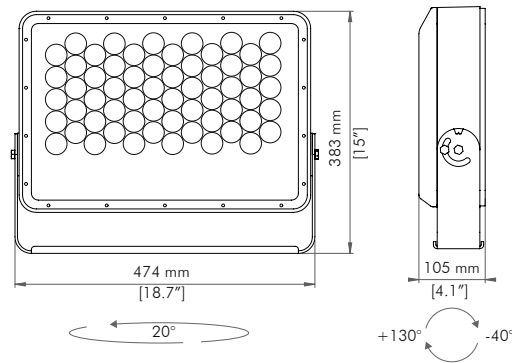


CAPITAL 300 US

GRIVEN 

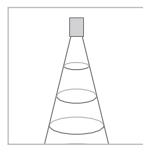
# CAPITAL 300 US

GRIVEND 



## BEAM ANGLE REFERENCE

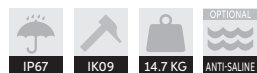
ULTRA SPOT 3.2°



MAX OUTPUT  
10150 lm  
(US CW configuration)

PHOTOMETRIC DETAILS AVAILABLE ON OUR WEBSITE

## FEATURES AND OPTIONS



## ACCESSORIES



AL8235  
VISOR



AL8236  
SNOOT



AL8237  
WIRE GUARD



AL1321 INFRARED  
REMOTE CONTROL



AL8260  
3G FIXING BRACKET

## CODES

AL5014 CAPITAL 300

AL5015 CAPITAL 300 POLAR EDITION

## OPTICS

US Ultra spot

## LED TYPE

RN RGB+W 4000K  
DW From 2700K to 6500K  
CW Cold White 6500K  
NW Natural White 4000K  
WW Warm White 3000K

## CONTROL SYSTEM

R DMX-RDM  
W DMX-RDM wireless  
D DALI

## FINISH

W White RAL 9003  
G GRIVEN Grey  
A Anthracite RAL 7016  
B Black RAL 9005

## CABLE TYPE

S POWER IN, DMX IN, DMX OUT  
C Monocable with connectors  
M Monocable without connectors  
D POWER IN, DALI IN, DALI OUT

## NOTES

Unless an RDM compatible control is used, CAPITAL 300 US must always be purchased with AL1321 Infrared Remote Control. More CAPITAL 300 US units can be controlled with one AL1321.

## TECHNICAL SPECIFICATIONS

CAPITAL 300 US is an IP67 powerful light fitting, whose die cast aluminium body hosts 60 high brightness RGBW, Dynamic White, Cold White, Natural White, Warm White or, on request, monochrome power LEDs. Dimensions: 474 mm x 105 mm x 383 mm. Available in DMX, automatic and Master-Slave mode, it also features RFU (Remote firmware update), and RDM (Remote device management) functions. DALI or DMX-RDM wireless control available on request. Unless an RDM compatible control is used, one Infrared Remote Control AL1321 must always be purchased for one or more CAPITAL 300 US units in order to access DMX addressing, stand-alone operations and DMX channels configurations. Power supply: standard 100÷277V / 50-60Hz. Power consumption: 0.95A @ 230V / 203W max. An Electrical Class I appliance, it also features self-resetting fuse protection as well as integrated electronic thermal protection management. The Polar Edition, fitted with an integrated de-icing system with electrically heated glass, is available on request. Operating temperature: -40°C to 50°C (-40°F to 122°F).

DIGITAL CONTROL SYSTEM SPECIFICATIONS AND CONFIGURATIONS AVAILABLE ON OUR WEBSITE



USA\_620 South Tryon, Charlotte NC



1919  
1918  
1917  
1916  
1915  
1914  
1913  
1912  
1911  
1910  
1909  
1908  
1907  
1906  
1905  
1904  
1903  
1902  
1901  
1900

REGNANDO VITTORIO EMANUELE II  
BENITO MUSSOLINI CAPO DEL GOVERNO  
QUESTA TERRA VOLLE REDENTURA  
DAL MILLENNIO LETARGICO DI MORTE PERA STERILITÀ  
E FRESSO, LE VESTIGIE DI BEMBOLE CIVILITÀ  
DIEDE VITA  
SÌEN DA  
CHE PORTA NEL NOME GLI AUSPICI DELLA MIGRATA DINASTIA PEGNANTE  
EDIFICATA IN 233 GIORNI  
DALL'OPERA NAZIONALE PER I COMBATTENTI  
PRESIEDUTA DA  
VALENTINO D'OSOLINI GENELLI  
INIZIO LA SUA MISSIONE CIVICA  
IL XV APRILE MCMXXXVI ANNO XIII E F





# CAPITAL 300 MC

FAÇADE LIGHTING

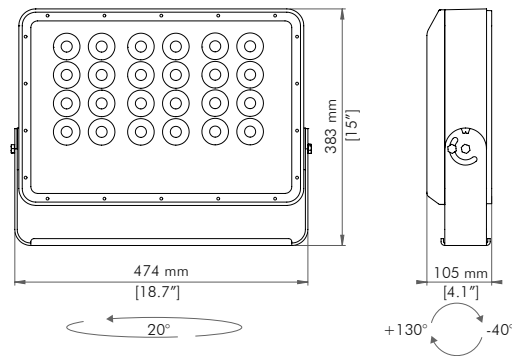
Featuring an elegant, stylish shape and a sleek profile, which allow a seamless integration in every architectural environment, **CAPITAL 300 MC** is the ideal solution for the dramatic illumination of large scale façades and high-rise buildings calling for high impact lighting. Responding to the lighting designer's need for aesthetic appeal and chromatic adaptability, **CAPITAL 300 MC** features multichip LEDs, which enhance seamless light distribution and smooth colour transition.



CAPITAL 300 MC

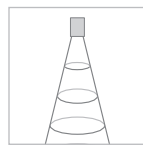
# CAPITAL 300 MC

GRIVEND 



## BEAM ANGLE REFERENCE

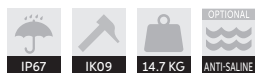
SPOT	7°
NARROW	10°
MEDIUM	23°
WIDE	35°



MAX OUTPUT  
8830 lm  
(SP DW configuration)

PHOTOMETRIC DETAILS AVAILABLE ON OUR WEBSITE

## FEATURES AND OPTIONS



## ACCESSORIES



## CODES

AL5016 CAPITAL 300 MC

AL5017 CAPITAL 300 MC POLAR EDITION

## OPTICS

SP Spot  
NA Narrow  
ME Medium  
WI Wide

## LED TYPE

RN RGB+W 4000K  
DW From 3000K to 6500K

## CONTROL SYSTEM

R DMX-RDM  
W DMX-RDM wireless

## FINISH

W White RAL 9003  
G GRIVEN Grey  
A Anthracite RAL 7016  
B Black RAL 9005

## CABLE TYPE

S POWER IN, DMX IN, DMX OUT  
C Monocable with connectors  
M Monocable without connectors

## NOTES

Unless an RDM compatible control is used, CAPITAL 300 MC must always be purchased with AL1321 Infrared Remote Control. More CAPITAL 300 MC units can be controlled with one AL1321.

## TECHNICAL SPECIFICATIONS

CAPITAL 300 MC is an IP67 powerful floodlight, whose die cast aluminium body hosts 24 high brightness RGBW or Dynamic White multichip LEDs. Dimensions: 474 mm x 105 mm x 383 mm. Available in DMX, automatic and Master-Slave mode, it also features RFU (Remote firmware update), and RDM (Remote device management) functions. DALI or DMX-RDM wireless control available on request. Unless an RDM compatible control is used, one Infrared Remote Control AL1321 must always be purchased for one or more CAPITAL 300 MC units in order to access DMX addressing, stand-alone operations and DMX channels configurations. Power supply: standard 100±277V / 50-60Hz. Power consumption: 1.3A @ 230V / 245W max. An Electrical Class I appliance, it also features self-resetting fuse protection as well as integrated electronic thermal protection management. The Polar Edition, fitted with an integrated de-icing system with electrically heated glass, is available on request. Operating temperature: -40°C to 50°C (-40°F to 122°F).

DIGITAL CONTROL SYSTEM SPECIFICATIONS AND CONFIGURATIONS AVAILABLE ON OUR WEBSITE





TELSTRA  
PLAZA

Adelaide Oval

Ticket Office

Adelaide Oval

South Gate

Adelaide Oval

# CAPITAL 200

FAÇADE LIGHTING

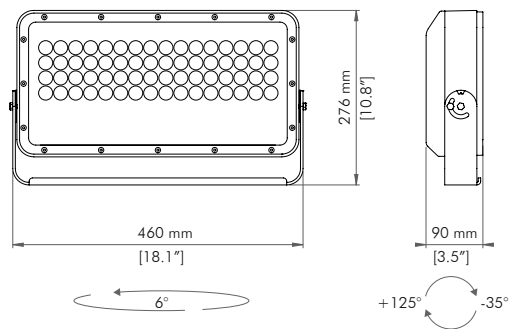
Allowing a smooth blending in every architectural background through its modern design and extremely sleek profile, **CAPITAL 200** delivers a powerful output from a compact body with outstanding performances. Fitted with a variety of optional high build and design optics groups for the utmost optical efficiency, this versatile floodlight also assures balanced projection and photometric flexibility tailored to the selective demands of the most sophisticated architectural needs.



CAPITAL 200

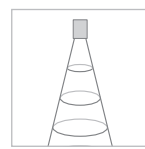
# CAPITAL 200

GRIVEND 



## BEAM ANGLE REFERENCE

RGBW		WHITE LIGHT	
SPOT	8°	SPOT	12°
NARROW	12°	NARROW	15°
MEDIUM	23°	MEDIUM	25°
WIDE	43°	WIDE	47°
EXTRA WIDE	68°	EXTRA WIDE	61°
ELLIPTICAL	11°x41°	ELLIPTICAL	14°x39°
ELLIPTICAL WIDE	22°x39°	ELLIPTICAL WIDE	23°x37°
WALL WASH	14°(5° incline)x37°	WALL WASH	19°(5° incline)x38°



MAX OUTPUT  
16275 lm  
(SP CW configuration)

PHOTOMETRIC DETAILS AVAILABLE ON OUR WEBSITE

## FEATURES AND OPTIONS



## ACCESSORIES



AL8229 VISOR



AL8230 SNOOT



AL8231 WIRE GUARD



AL1321 INFRARED REMOTE CONTROL



AL8259 3G FIXING BRACKET



AL8273 BEEHIVE ANTIGLARE

## CODES

AL5010 CAPITAL 200

AL5012 CAPITAL 200 POLAR EDITION

## OPTICS

SP Spot  
NA Narrow  
ME Medium  
WI Wide  
EW Extra wide  
EL Elliptical  
WL Elliptical wide  
WW Wall wash

## LED TYPE

RN RGB+W 4000K  
DW From 2700K to 6500K  
CW Cold White 6500K  
NW Natural White 4000K  
WW Warm White 3000K

## CONTROL SYSTEM

R DMX-RDM  
W DMX-RDM wireless  
D DALI

## FINISH

W White RAL 9003  
G GRIVEN Grey  
A Anthracite RAL 7016  
B Black RAL 9005

## CABLE TYPE

S POWER IN, DMX IN, DMX OUT  
C Monocable with connectors  
M Monocable without connectors  
D POWER IN, DALI IN, DALI OUT

## NOTES

Unless an RDM compatible control is used, CAPITAL 200 must always be purchased with AL1321 Infrared Remote Control. More CAPITAL 200 units can be controlled with one AL1321.

## TECHNICAL SPECIFICATIONS

CAPITAL 200 is an IP67 medium sized floodlight, whose die cast aluminium body hosts 64 high brightness RGBW, Dynamic White, Cold White, Natural White, Warm White or, on request, monochrome power LEDs. Dimensions: 460 mm x 90 mm x 276 mm. Available in DMX, automatic and Master-Slave mode, it also features RFU (Remote firmware update), and RDM (Remote device management) functions. DALI or DMX-RDM wireless control available on request. Unless an RDM compatible control is used, one Infrared Remote Control AL1321 must always be purchased for one or more CAPITAL 200 units in order to access DMX addressing, stand-alone operations and DMX channels configurations. Power supply: standard 100÷277V / 50-60Hz. Power consumption: RGBW 0.71A @ 230V / 155W max, W 0.68A @ 230V / 148W max. An Electrical Class I appliance, it also features self-resetting fuse protection as well as integrated electronic thermal protection management. The Polar Edition, fitted with an integrated de-icing system with electrically heated glass, is available on request. Operating temperature: -40°C to 50°C (-40°F to 122°F).

DIGITAL CONTROL SYSTEM SPECIFICATIONS AND CONFIGURATIONS AVAILABLE ON OUR WEBSITE





Puskás Sportcsarnok



# CAPITAL 200 US

FAÇADE LIGHTING

Allowing a smooth blending in every architectural background through its modern design and extremely sleek profile, **CAPITAL 200 US** delivers a powerful output from a compact body with outstanding performances at long distances owing to its ultra narrow optics.

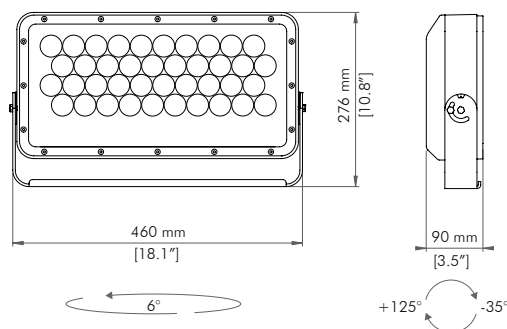


CAPITAL 200 US

GRIVEND

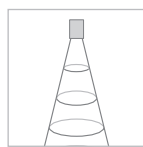
# CAPITAL 200 US

GRIVEND 



## BEAM ANGLE REFERENCE

ULTRA SPOT 3.2°



MAX OUTPUT  
6950 lm  
(US CW configuration)

PHOTOMETRIC DETAILS AVAILABLE ON OUR WEBSITE

## FEATURES AND OPTIONS



## ACCESSORIES



## CODES

AL5010 CAPITAL 200

AL5012 CAPITAL 200 POLAR EDITION

## OPTICS

US Ultra spot

## LED TYPE

RN RGB+W 4000K  
DW From 2700K to 6500K  
CW Cold White 6500K  
NW Natural White 4000K  
WW Warm White 3000K

## CONTROL SYSTEM

R DMX-RDM  
W DMX-RDM wireless  
D DALI

## FINISH

W White RAL 9003  
G GRIVEN Grey  
A Anthracite RAL 7016  
B Black RAL 9005

## CABLE TYPE

S POWER IN, DMX IN, DMX OUT  
C Monocable with connectors  
M Monocable without connectors  
D POWER IN, DALI IN, DALI OUT

## NOTES

Unless an RDM compatible control is used, CAPITAL 200 US must always be purchased with AL1321 Infrared Remote Control. More CAPITAL 200 US units can be controlled with one AL1321.

## TECHNICAL SPECIFICATIONS

CAPITAL 200 US is an IP67 medium sized floodlight, whose die cast aluminium body hosts 40 high brightness RGBW, Dynamic White, Cold White, Natural White, Warm White or, on request, monochrome power LEDs. Dimensions: 460 mm x 90 mm x 276 mm. Available in DMX, automatic and Master-Slave mode, it also features RFU (Remote firmware update), and RDM (Remote device management) functions. DALI or DMX-RDM wireless control available on request. Unless an RDM compatible control is used, one Infrared Remote Control AL1321 must always be purchased for one or more CAPITAL 200 US units in order to access DMX addressing, stand-alone operations and DMX channels configurations. Power supply: standard 100÷277V / 50-60Hz. Power consumption: 0.63A @ 230V / 139W max. An Electrical Class I appliance, it also features self-resetting fuse protection as well as integrated electronic thermal protection management. The Polar Edition, fitted with an integrated de-icing system with electrically heated glass, is available on request. Operating temperature: -40°C to 50°C (-40°F to 122°F).

DIGITAL CONTROL SYSTEM SPECIFICATIONS AND CONFIGURATIONS AVAILABLE ON OUR WEBSITE



HUNGARY\_Puskás Arena, Budapest



# CAPITAL 200 MC

FAÇADE LIGHTING

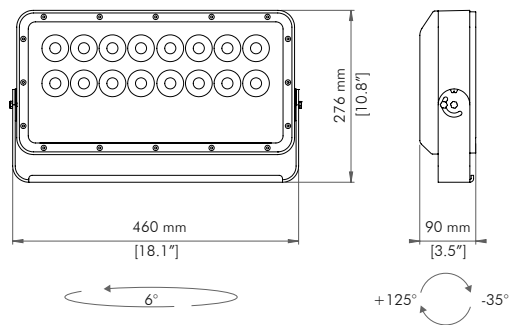
Responding to aesthetic appeal and chromatic adaptability criteria, **CAPITAL 200 MC** features multichip LEDs, which enhance seamless light distribution and smooth colour transition. Allowing a perfect blending in every architectural background through its eye-catching design and extremely sleek profile, **CAPITAL 200 MC** delivers a powerful output from a compact body with outstanding performances.



CAPITAL 200 MC

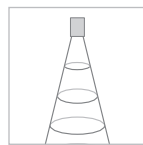
# CAPITAL 200 MC

GRIVEND 



## BEAM ANGLE REFERENCE

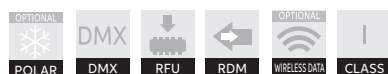
SPOT	7°
NARROW	10°
MEDIUM	23°
WIDE	35°



MAX OUTPUT  
4524 lm  
(SP DW configuration)

PHOTOMETRIC DETAILS AVAILABLE ON OUR WEBSITE

## FEATURES AND OPTIONS



## ACCESSORIES



## CODES

AL5011 CAPITAL 200 MC

AL5013 CAPITAL 200 MC POLAR EDITION

## OPTICS

SP Spot  
NA Narrow  
ME Medium  
WI Wide

## LED TYPE

RN RGB+W 4000K  
DW From 3000K to 6500K

## CONTROL SYSTEM

R DMX-RDM  
W DMX-RDM wireless

## FINISH

W White RAL 9003  
G GRIVEN Grey  
A Anthracite RAL 7016  
B Black RAL 9005

## CABLE TYPE

S POWER IN, DMX IN, DMX OUT  
C Monocable with connectors  
M Monocable without connectors

## NOTES

Unless an RDM compatible control is used, CAPITAL 200 MC must always be purchased with AL1321 Infrared Remote Control. More CAPITAL 200 MC units can be controlled with one AL1321.

## TECHNICAL SPECIFICATIONS

CAPITAL 200 MC is an IP67 medium sized floodlight, whose die cast aluminium body hosts 16 high brightness RGBW or Dynamic White multichip LEDs. Dimensions: 460 mm x 90 mm x 276 mm. Available in DMX, automatic and Master-Slave mode, it also features RFU (Remote firmware update), and RDM (Remote device management) functions. DALI or DMX-RDM wireless control available on request. Unless an RDM compatible control is used, one Infrared Remote Control AL1321 must always be purchased for one or more CAPITAL 200 MC units in order to access DMX addressing, stand-alone operations and DMX channels configurations. Power supply: standard 100÷277V / 50-60Hz. Power consumption: 0.71A @ 230V / 156W max. An Electrical Class I appliance, it also features self-resetting fuse protection as well as integrated electronic thermal protection management. The Polar Edition, fitted with an integrated de-icing system with electrically heated glass, is available on request. Operating temperature: -40°C to 50°C (-40°F to 122°F).

DIGITAL CONTROL SYSTEM SPECIFICATIONS AND CONFIGURATIONS AVAILABLE ON OUR WEBSITE



ECUADOR\_Cathedral of the Immaculate Conception, Cuenca





# CAPITAL 100

FAÇADE LIGHTING

Hosting 32 premium quality high power LEDs, **CAPITAL 100** delivers remarkable performances from a strikingly compact body. Tailored to the demanding needs of the most imaginative architectural lighting specifications, this flexible and highly versatile floodlight is suitable for a variety of installations where a reduced mounting space leaves no wide choice to the most innovative lighting designers.

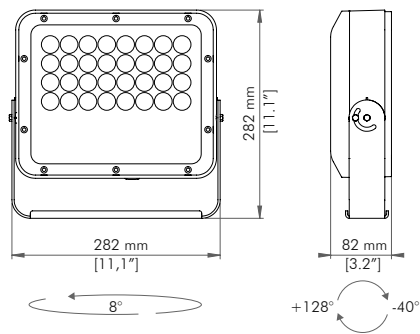


CAPITAL 100

GRIVEN

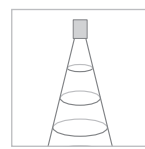
# CAPITAL 100

GRIVEN 



## BEAM ANGLE REFERENCE

RGBW		WHITE LIGHT	
SPOT	8°	SPOT	12°
NARROW	12°	NARROW	15°
MEDIUM	23°	MEDIUM	25°
WIDE	43°	WIDE	47°
EXTRA WIDE	68°	EXTRA WIDE	61°
ELLIPTICAL	11°x41°	ELLIPTICAL	14°x39°
ELLIPTICAL WIDE	22°x39°	ELLIPTICAL WIDE	23°x37°
WALL WASH	14°(5° incline)x37°	WALL WASH	19°(5° incline)x38°



PHOTOMETRIC DETAILS AVAILABLE ON OUR WEBSITE

## FEATURES AND OPTIONS



## ACCESSORIES



## CODES

AL5005 CAPITAL 100

AL5007 CAPITAL 100 POLAR EDITION

## OPTICS

SP Spot  
NA Narrow  
ME Medium  
WI Wide  
EW Extra wide  
EL Elliptical  
WL Elliptical wide  
WW Wall wash

## LED TYPE

RN RGB+W 4000K  
DW From 2700K to 6500K  
CW Cold White 6500K  
NW Natural White 4000K  
WW Warm White 3000K

## CONTROL SYSTEM

R DMX-RDM  
W DMX-RDM wireless  
D DALI

## FINISH

W White RAL 9003  
G GRIVEN Grey  
A Anthracite RAL 7016  
B Black RAL 9005

## CABLE TYPE

S POWER IN, DMX IN, DMX OUT  
C Monocable with connectors  
M Monocable without connectors  
D POWER IN, DALI IN, DALI OUT

## NOTES

Unless an RDM compatible control is used, CAPITAL 100 must always be purchased with AL1321 Infrared Remote Control. More CAPITAL 100 units can be controlled with one AL1321.

## TECHNICAL SPECIFICATIONS

CAPITAL 100 is an IP67 compact floodlight, whose die cast aluminium body hosts 32 high brightness RGBW, Dynamic White, Cold White, Natural White, Warm White or, on request, monochrome power LEDs. Dimensions: 282 mm x 82 mm x 282 mm. Available in DMX, automatic and Master-Slave mode, it also features RFU (Remote firmware update), and RDM (Remote device management) functions. DALI or DMX-RDM wireless control available on request. Unless an RDM compatible control is used, one Infrared Remote Control AL1321 must always be purchased for one or more CAPITAL 100 units in order to access DMX addressing, stand-alone operations and DMX channels configurations. Power supply: standard 100÷277V / 50-60Hz. Power consumption: RGBW 0.32A @ 230V / 73W max, W 0.31A @ 230V / 70.5W max. An Electrical Class I appliance, it also features self-resetting fuse protection as well as integrated electronic thermal protection management. The Polar Edition, fitted with an integrated de-icing system with electrically heated glass, is available on request. Operating temperature: -40°C to 50°C (-40°F to 122°F).

DIGITAL CONTROL SYSTEM SPECIFICATIONS AND CONFIGURATIONS AVAILABLE ON OUR WEBSITE





НОВОСИБИРСКИЙ  
ГОСУДАРСТВЕННЫЙ  
УНИВЕРСИТЕТ

# CAPITAL 100 US

FAÇADE LIGHTING

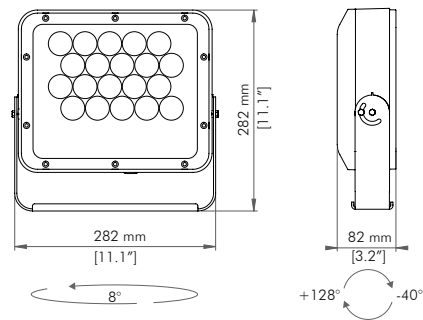
Fitted with an ultra-spot optics, **CAPITAL 100 US** delivers remarkable performances at medium to long distances from an extremely compact body. Tailored to the demanding needs of the most imaginative architectural lighting specifications, this flexible and highly versatile floodlight is suitable for a variety of installations with reduced mounting space requiring long-shot performance.



CAPITAL 100 US

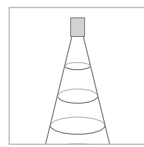
# CAPITAL 100 US

GRIVEND 



## BEAM ANGLE REFERENCE

ULTRA SPOT 3.2°



MAX OUTPUT  
3300 lm  
(US CW configuration)

PHOTOMETRIC DETAILS AVAILABLE ON OUR WEBSITE

## FEATURES AND OPTIONS



## ACCESSORIES



## CODES

AL5005 CAPITAL 100

AL5007 CAPITAL 100 POLAR EDITION

## OPTICS

US Ultra spot

## LED TYPE

RN RGB+W 4000K  
DW From 2700K to 6500K  
CW Cold White 6500K  
NW Natural White 4000K  
WW Warm White 3000K

## CONTROL SYSTEM

R DMX-RDM  
W DMX-RDM wireless  
D DALI

## FINISH

W White RAL 9003  
G GRIVEN Grey  
A Anthracite RAL 7016  
B Black RAL 9005

## CABLE TYPE

S POWER IN, DMX IN, DMX OUT  
C Monocable with connectors  
M Monocable without connectors  
D POWER IN, DALI IN, DALI OUT

## NOTES

Unless an RDM compatible control is used, CAPITAL 100 US must always be purchased with AL1321 Infrared Remote Control. More CAPITAL 100 US units can be controlled with one AL1321.

## TECHNICAL SPECIFICATIONS

CAPITAL 100 US is an IP67 compact floodlight, whose die cast aluminium body hosts 20 high brightness RGBW, Dynamic White, Cold White, Natural White, Warm White or, on request, monochrome power LEDs. Dimensions: 282 mm x 82 mm x 282 mm. Available in DMX, automatic and Master-Slave mode, it also features RFU (Remote firmware update), and RDM (Remote device management) functions. DALI or DMX-RDM wireless control available on request. Unless an RDM compatible control is used, one Infrared Remote Control AL1321 must always be purchased for one or more CAPITAL 100 US units in order to access DMX addressing, stand-alone operations and DMX channels configurations. Power supply: standard 100÷277V / 50-60Hz. Power consumption: 0.29A @ 230V / 66W max. An Electrical Class I appliance, it also features self-resetting fuse protection as well as integrated electronic thermal protection management. The Polar Edition, fitted with an integrated de-icing system with electrically heated glass, is available on request. Operating temperature: -40°C to 50°C (-40°F to 122°F).

DIGITAL CONTROL SYSTEM SPECIFICATIONS AND CONFIGURATIONS AVAILABLE ON OUR WEBSITE







# CAPITAL 100 MC

FAÇADE LIGHTING

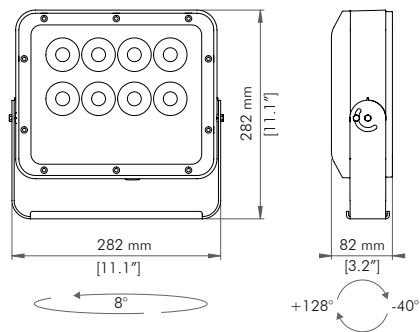
Featuring an extremely compact body, **CAPITAL 100 MC** complies with the most actual architectural lighting specifications. Responding to aesthetic appeal and chromatic adaptability criteria, **CAPITAL 100 MC** features multichip LEDs, which enhance seamless light distribution and smooth colour transition. This flexible and highly versatile floodlight is suitable for a variety of installations where a reduced mounting space leaves no wide choice.



CAPITAL 100 MC

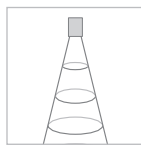
# CAPITAL 100 MC

GRIVEND 



## BEAM ANGLE REFERENCE

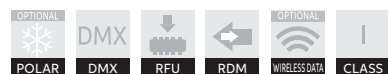
SPOT	7°
NARROW	10°
MEDIUM	23°
WIDE	35°



MAX OUTPUT  
2146 lm  
(SP DW configuration)

PHOTOMETRIC DETAILS AVAILABLE ON OUR WEBSITE

## FEATURES AND OPTIONS



## ACCESSORIES



AL8232  
VISOR



AL8233  
SNOOT



AL8234  
WIRE GUARD



AL1321 INFRARED  
REMOTE CONTROL



AL8258  
3G FIXING BRACKET



AL8227  
300 mm FIXING BRACKET



AL8228  
410 mm FIXING BRACKET

## CODES

AL5006 CAPITAL 100 MC

AL5008 CAPITAL 100 MC POLAR EDITION

## OPTICS

SP Spot  
NA Narrow  
ME Medium  
WI Wide

## LED TYPE

RN RGB+W 4000K  
DW From 3000K to 6500K

## CONTROL SYSTEM

R DMX-RDM  
W DMX-RDM wireless

## FINISH

W White RAL 9003  
G GRIVEN Grey  
A Anthracite RAL 7016  
B Black RAL 9005

## CABLE TYPE

S POWER IN, DMX IN, DMX OUT  
C Monocable with connectors  
M Monocable without connectors

## NOTES

Unless an RDM compatible control is used, CAPITAL 100 MC must always be purchased with AL1321 Infrared Remote Control. More CAPITAL 100 MC units can be controlled with one AL1321.

## TECHNICAL SPECIFICATIONS

CAPITAL 100 MC is an IP67 compact floodlight, whose die cast aluminium body hosts 8 high brightness RGBW or Dynamic White multichip LEDs. Dimensions: 282 mm x 82 mm x 282 mm. Available in DMX, automatic and Master-Slave mode, it also features RFU (Remote firmware update), and RDM (Remote device management) functions. DALI or DMX-RDM wireless control available on request. Unless an RDM compatible control is used, one Infrared Remote Control AL1321 must always be purchased for one or more CAPITAL 100 MC units in order to access DMX addressing, stand-alone operations and DMX channels configurations. Power supply: standard 100÷277V / 50-60Hz. Power consumption: 0.34A @ 230V / 74W max. An Electrical Class I appliance, it also features self-resetting fuse protection as well as integrated electronic thermal protection management. The Polar Edition, fitted with an integrated de-icing system with electrically heated glass, is available on request. Operating temperature: -40°C to 50°C (-40°F to 122°F).

DIGITAL CONTROL SYSTEM SPECIFICATIONS AND CONFIGURATIONS AVAILABLE ON OUR WEBSITE



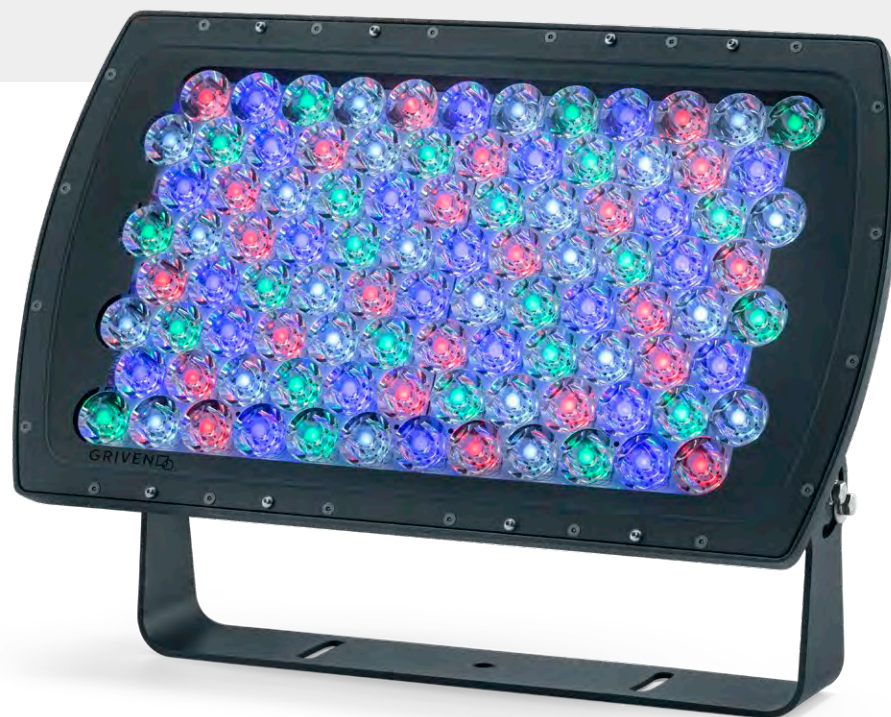
ITALY - Via Giorgio Rizzardi, Marghera



# ONYX XQ

FAÇADE LIGHTING

Specific for architectural projects demanding for impressive though sustainable lighting performance, **ONYX XQ** features an incomparably functional, ultra-spot, sharp, long-shot beam of light capable of reaching previously unthinkable distances with amazing precision and even light distribution.

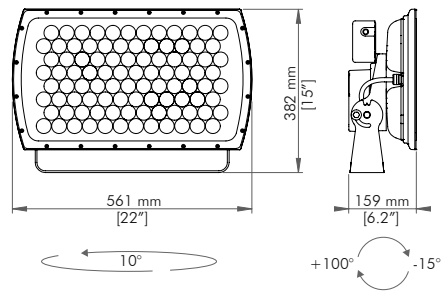


ONYX XQ

GRIVEN 

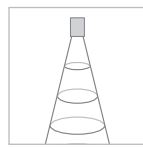
# ONYX XQ

GRIVEN 



## BEAM ANGLE REFERENCE

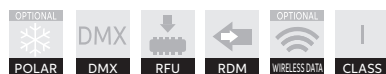
ULTRA SPOT 3.2°



MAX OUTPUT  
22048 lm  
(US CW configuration)

PHOTOMETRIC DETAILS AVAILABLE ON OUR WEBSITE

## FEATURES AND OPTIONS



## ACCESSORIES



**AL4108**  
ANTI-GLARE SHIELD



**AL8257**  
3G FIXING BRACKET

## CODES

AL4436 ONYX XQ

OPTICS	LED TYPE	FINISH	OPTION
US Ultra spot	RN RGB+W 4000K	W White RAL 9003	PE Polar Edition
	DW From 2700K to 6500K	G GRIVEN Grey	
	CW Cold White 6500K	A Anthracite RAL 7016	
	NW Natural White 4000K	B Black RAL 9005	
	WW Warm White 3000K		

## TECHNICAL SPECIFICATIONS

ONYX XQ is an IP66 powerful floodlight, whose die cast aluminium body hosts 96 high brightness RGBW, Dynamic White, Cold White, Natural White, Warm White or, on request, monochrome power LEDs. Dimensions: 561 mm x 159 mm x 382 mm. Available in DMX, automatic and Master-Slave mode, it also features RFU (Remote firmware update) and RDM (Remote device management) functions. On-board control panel to access DMX addressing, stand-alone operations and DMX channels configurations. Power supply: standard 100÷277V / 50-60Hz. Power consumption: 1.34A @ 230V / 286W max. An Electrical Class I appliance, it also features self-resetting fuse protection as well as integrated electronic thermal protection management. The Polar Edition, fitted with an integrated de-icing system with electrically heated glass, is available on request. Operating temperature: -40°C to 50°C (-40°F to 122°F).

DIGITAL CONTROL SYSTEM SPECIFICATIONS AND CONFIGURATIONS AVAILABLE ON OUR WEBSITE



GERMANY\_thyssenkrupp tower, Rottweil







# FAÇADE LIGHTING

ROUND SHAPED FIXTURES

These stylish round shaped solutions meet the latest aesthetical demands delivering astonishing output mostly from elegant medium-sized or fashionable compact housings. The new combination of premium class RGBW LEDs, featuring 4000K natural white, delivers the widest range of warm white shades and pastel tones assortment. Alternative white light, tunable white and, on request, monochrome or multiple bespoke colour selection versions further ensure maximum chromatic adaptability. A full selection of high build design optics offers the utmost efficiency, balanced projection and photometric flexibility. The digital control via DMX512 protocol includes also standalone, Master-Slave, Remote Firmware Update (RFU) and Remote Device Management (RDM) functions. CSA certified versions as well as Polar Edition options have been engineered for ample usage versatility. Four different finish shades are now available as standard features to take this remarkable range to a superior level.



# JASPER

FAÇADE LIGHTING

Ideal for spot or flood lighting of building façades or large areas, **JASPER** meets the latest design requirements and aesthetical prerequisites demanding for powerful and efficient lighting solutions capable of delivering high level performances with a reduced power consumption.

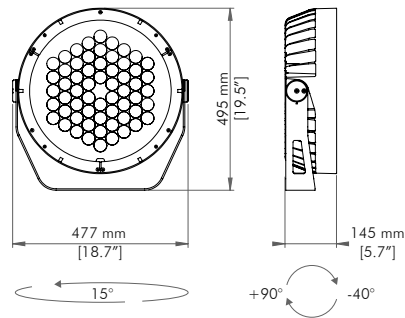


JASPER

GRIVEND

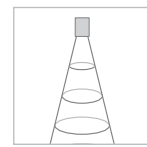
# JASPER

GRIVEND 



## BEAM ANGLE REFERENCE

RGBW		WHITE LIGHT	
ULTRA SPOT	4°	ULTRA SPOT	7°
SPOT	8°	SPOT	12°
NARROW	11°	NARROW	15°
MEDIUM	23°	MEDIUM	25°
WIDE	43°	WIDE	47°
EXTRA WIDE	69°	EXTRA WIDE	61°
ULTRA WIDE	130°	ULTRA WIDE	130°
ELLIPTICAL	11°x41°	ELLIPTICAL	14°x39°
ELLIPTICAL WIDE	22°x39°	ELLIPTICAL WIDE	23°x37°



PHOTOMETRIC DETAILS AVAILABLE ON OUR WEBSITE

## FEATURES AND OPTIONS



## ACCESSORIES



## CODES

AL4360 JASPER

## OPTICS

US Ultra spot  
 SP Spot  
 NA Narrow  
 ME Medium  
 WI Wide  
 EW Extra wide  
 UW Ultra wide  
 EL Elliptical  
 WL Elliptical Wide

## LED TYPE

RN RGB+W 4000K  
 DW From 2700K to 6500K  
 CW Cold White 6500K  
 NW Natural White 4000K  
 WW Warm White 3000K

## FINISH

W White RAL 9003  
 G GRIVEN Grey  
 A Anthracite RAL 7016  
 B Black RAL 9005

## OPTION

PE Polar Edition

## NOTES

Unless an RDM compatible control is used, JASPER must always be purchased with AL1321 Infrared Remote Control. More JASPER units can be controlled with one AL1321.

## TECHNICAL SPECIFICATIONS

JASPER is an IP66 powerful floodlight, whose aluminium body hosts 60 high brightness RGBW, Dynamic White, Cold White, Natural White, Warm White or, on request, monochrome power LEDs. Dimensions: 477 mm x 145 mm x 495 mm. Available in DMX, automatic and Master-Slave mode, it also features RFU (Remote firmware update) and RDM (Remote device management) functions. Unless an RDM compatible control is used, one Infrared Remote Control AL1321 must always be purchased for one or more JASPER units in order to access DMX addressing, stand-alone operations and DMX channels configurations. Power supply: standard 100÷277V / 50-60Hz. Power consumption: 0.88A @ 230V / 195W max. An Electrical Class I appliance, it also features self-resetting fuse protection as well as integrated electronic thermal protection management. The Polar Edition, fitted with an integrated de-icing system with electrically heated glass, is available on request. Operating temperature: -40°C to 50°C (-40°F to 122°F).

DIGITAL CONTROL SYSTEM SPECIFICATIONS AND CONFIGURATIONS AVAILABLE ON OUR WEBSITE



BELGIUM\_Cathedral of Our Lady, Antwerp



KICC

→ B

THE KENTUCKY INTERNATIONAL CONVENTION CENTER  
1000 W. MAIN STREET  
LOUISVILLE, KY 40202

KENTUCKY INTERNATIONAL CONVENTION CENTER  
1000 W. MAIN STREET  
LOUISVILLE, KY 40202

SALT HOUSE

# RUBY MC

FAÇADE LIGHTING

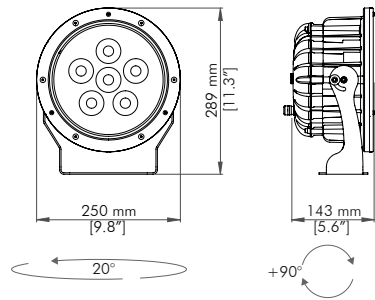
Satisfying a wide variety of architectural and landscape illumination needs, this stylish medium-sized rounded fixture is based on an efficient combination of powerful RGBW or tunable white multichip LEDs. **RUBY MC** is ideal for spot lighting and wall washing effects owing to the available optics groups ranging from spot aperture beams to wide distribution.



RUBY MC

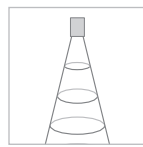
# RUBY MC

GRIVEND 



## BEAM ANGLE REFERENCE

SPOT	7°
NARROW	10°
MEDIUM	23°
WIDE	35°



MAX OUTPUT  
1767 lm  
(SP DW configuration)

PHOTOMETRIC DETAILS AVAILABLE ON OUR WEBSITE

## FEATURES AND OPTIONS



## ACCESSORIES



## CODES

AL5249 RUBY MC

OPTICS	LED TYPE	FINISH	OPTION
SP Spot	RN RGB+W 4000K	W White RAL 9003	PE Polar Edition
NA Narrow	DW From 3000K to 6500K	G GRIVEN Grey	
ME Medium		A Anthracite RAL 7016	
WI Wide		B Black RAL 9005	

## NOTES

Unless an RDM compatible control is used, RUBY MC must always be purchased with AL1321 Infrared Remote Control. More RUBY MC units can be controlled with one AL1321.

## TECHNICAL SPECIFICATIONS

RUBY MC is an IP66 medium sized floodlight, whose aluminium body hosts 6 high brightness RGBW or Dynamic White multichip power LEDs. Dimensions: 250 mm x 143 mm x 289 mm. Available in DMX, automatic and Master-Slave mode, it also features RFU (Remote firmware update) and RDM (Remote device management) functions. Unless an RDM compatible control is used, one Infrared Remote Control AL1321 must always be purchased for one or more RUBY MC units in order to access DMX addressing, stand-alone operations and DMX channels configurations. Power supply: standard 100÷277V / 50-60Hz. Power consumption: 0.26A @ 230V / 57W max. An Electrical Class I appliance, it also features self-resetting fuse protection as well as integrated electronic thermal protection management. The Polar Edition, fitted with an integrated de-icing system with electrically heated glass, is available on request. Operating temperature: -30°C to 45°C (-40°F to 122°F).

DIGITAL CONTROL SYSTEM SPECIFICATIONS AND CONFIGURATIONS AVAILABLE ON OUR WEBSITE





USA\_Kentucky International Convention Center, Louisville



# RUBY XP

FAÇADE LIGHTING

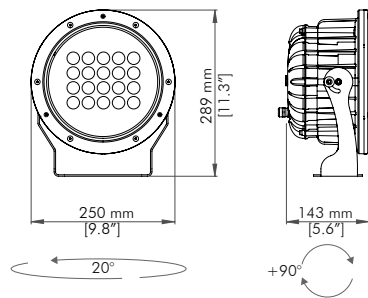
**RUBY XP** is capable of delivering a highly efficient luminous flux taking advantage of the twenty high power LEDs it is fitted with. This stylish and versatile fixture easily conveys spot lighting and wall washing effects at medium to long distances owing to the wide selection of optics groups available.



RUBY XP

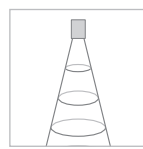
# RUBY XP

GRIVEND



## BEAM ANGLE REFERENCE

RGBW		WHITE LIGHT	
SPOT	7°	SPOT	12°
NARROW	11°	NARROW	15°
MEDIUM	20°	MEDIUM	25°
WIDE	43°	WIDE	47°
EXTRA WIDE	68°	EXTRA WIDE	61°
ELLIPTICAL	9°x41°	ELLIPTICAL	14°x39°
ELLIPTICAL WIDE	20°x38°	ELLIPTICAL WIDE	23°x37°
WALL WASH	14°(16° incline)x37°	WALL WASH	19°(5° incline)x38°



MAX OUTPUT  
3781 lm  
(SP CW configuration)

PHOTOMETRIC DETAILS AVAILABLE ON OUR WEBSITE

## FEATURES AND OPTIONS



## ACCESSORIES



AL4366  
BARN DOOR



AL4985  
SNOOT



AL4984  
VISOR



AL1321 INFRARED  
REMOTE CONTROL



AL8225  
3G FIXING BRACKET



AL8218  
210 mm FIXING BRACKET



AL8219  
280 mm FIXING BRACKET



AL8220  
350 mm FIXING BRACKET

## CODES

AL4422 RUBY XP

## OPTICS

SP Spot  
NA Narrow  
ME Medium  
WI Wide  
EW Extra wide  
EL Elliptical  
WL Elliptical wide  
WW Wall wash

## LED TYPE

RN RGB+W 4000K  
DW From 2700K to 6500K  
CW Cold White 6500K  
NW Natural White 4000K  
WW Warm White 3000K

## FINISH

W White RAL 9003  
G GRIVEN Grey  
A Anthracite RAL 7016  
B Black RAL 9005

## NOTES

Unless an RDM compatible control is used, RUBY XP must always be purchased with AL1321 Infrared Remote Control. More RUBY XP units can be controlled with one AL1321.

## TECHNICAL SPECIFICATIONS

RUBY XP is an IP66 medium sized floodlight, whose aluminium body hosts 20 high brightness RGBW, Dynamic White, Cold White, Natural White, Warm White or, on request, monochrome power LEDs. Dimensions: 250 mm x 143 mm x 289 mm. Available in DMX, automatic and Master-Slave mode, it also features RFU (Remote firmware update) and RDM (Remote device management) functions. Unless an RDM compatible control is used, one Infrared Remote Control AL1321 must always be purchased for one or more RUBY XP units in order to access DMX addressing, stand-alone operations and DMX channels configurations. Power supply: standard 100÷277V / 50-60Hz. Power consumption: 0.18A @ 230V / 37W max. An Electrical Class I appliance, it also features self-resetting fuse protection as well as integrated electronic thermal protection management. Operating temperature: -30°C to 50°C (-22°F to 122°F).

DIGITAL CONTROL SYSTEM SPECIFICATIONS AND CONFIGURATIONS AVAILABLE ON OUR WEBSITE



IRELAND\_Rock of Cashel, Tipperary



# JADE 16

FAÇADE LIGHTING

With its in-built electronics and power supply unit, **JADE 16** has become a must for the finest outdoor accent lighting installations. Capable of creating visual interest to specific architectural features or details, **JADE 16** boosts their peculiarity with differently shaped optics outputs.

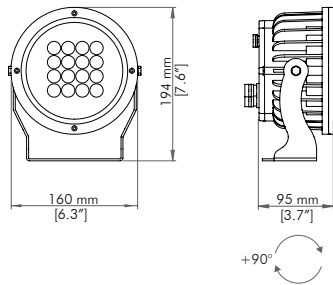


J A D E 1 6

GRIVEND

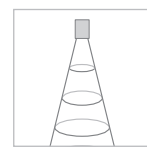
# JADE 16

GRIVEND 



## BEAM ANGLE REFERENCE

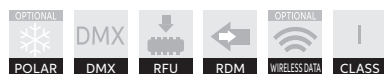
RGBW		WHITE LIGHT	
NARROW	13°	NARROW	19°
MEDIUM	29°	MEDIUM	30°
WIDE	40°	WIDE	48°
EXTRA WIDE	58°	EXTRA WIDE	58°
ELLIPTICAL	12°x34°	ELLIPTICAL	18°x34°
ELLIPTICAL WIDE	29°x51°	ELLIPTICAL WIDE	40°x55°



MAX OUTPUT  
2906 lm  
(NA CW configuration)

PHOTOMETRIC DETAILS AVAILABLE ON OUR WEBSITE

## FEATURES AND OPTIONS



## ACCESSORIES



## CODES

AL4050 JADE 16

OPTICS	LED TYPE	FINISH	OPTION
NA Narrow	RN RGB+W 4000K	W White RAL 9003	PE Polar Edition
ME Medium	DW From 2700K to 6500K	G GRIVEN Grey	
WI Wide	CW Cold White 6500K	A Anthracite RAL 7016	
EW Extra wide	NW Natural White 4000K	B Black RAL 9005	
EL Elliptical	WW Warm White 3000K		
WL Elliptical Wide			

## NOTES

Unless an RDM compatible control is used, JADE 16 must always be purchased with AL1321 Infrared Remote Control. More JADE 16 units can be controlled with one AL1321.

## TECHNICAL SPECIFICATIONS

JADE 16 is an IP66 compact spot light, whose aluminium body hosts 16 high brightness RGBW, Dynamic White, Cold White, Natural White, Warm White or, on request, monochrome power LEDs. Dimensions: 160 mm x 95 mm x 194 mm. Available in DMX, automatic and Master-Slave mode, it also features RFU (Remote firmware update) and RDM (Remote device management) functions. Unless an RDM compatible control is used, one Infrared Remote Control AL1321 must always be purchased for one or more JADE 16 units in order to access DMX addressing, stand-alone operations and DMX channels configurations. Power supply: standard 100÷277V / 50-60Hz. Power consumption: 0.4A @ 230V / 38W max. An Electrical Class I appliance, it also features self-resetting fuse protection as well as integrated electronic thermal protection management. The Polar Edition, fitted with an integrated de-icing system with electrically heated glass, is available on request. Operating temperature: -40°C to 50°C (-40°F to 122°F).

DIGITAL CONTROL SYSTEM SPECIFICATIONS AND CONFIGURATIONS AVAILABLE ON OUR WEBSITE





RUSSIA\_Sverdlovsk State Academic Philharmonic, Ekaterinburg



# JADE 9

FAÇADE LIGHTING

A must for the finest outdoor accent lighting, **JADE 9**, a rounded compact spotlight featuring in-built electronics and power supply unit, harmoniously enhances specific architectural elements, boosting their peculiar features with differently shaped optics outputs.

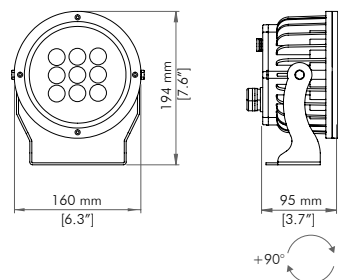


J A D E 9

GRIVENDO

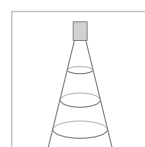
# JADE 9

GRIVEND 



## BEAM ANGLE REFERENCE

RGB		WHITE LIGHT	
SPOT	7°	SPOT	12°
NARROW	11°	NARROW	15°
MEDIUM	21°	MEDIUM	25°
WIDE	41°	WIDE	47°
EXTRA WIDE	68°	EXTRA WIDE	61°
ELLIPTICAL	9°x41°	ELLIPTICAL	14°x31°
ELLIPTICAL WIDE	30°x38°	ELLIPTICAL WIDE	23°x37°



MAX OUTPUT  
2415 lm  
(SP CW configuration)

PHOTOMETRIC DETAILS AVAILABLE ON OUR WEBSITE

## FEATURES AND OPTIONS



## ACCESSORIES



AL4365  
BARN DOOR



AL4123  
SNOOT



AL4122  
VISOR



AL1321 INFRARED  
REMOTE CONTROL



AL8224  
3G FIXING BRACKET



AL8221  
180 mm FIXING BRACKET



AL8222  
250 mm FIXING BRACKET



AL8223  
330 mm FIXING BRACKET

## CODES

AL5030 JADE 9

## OPTICS

SP Spot  
NA Narrow  
ME Medium  
WI Wide  
EW Extra wide  
EL Elliptical  
WL Elliptical Wide

## LED TYPE

RG RGB  
CW Cold White 6500K  
NW Natural White 4000K  
WW Warm White 3000K

## FINISH

W White RAL 9003  
G GRIVEN Grey  
A Anthracite RAL 7016  
B Black RAL 9005

## NOTES

JADE 9 must always be purchased with AL1321 Infrared Remote Control. More JADE 9 units can be controlled with one AL1321.

## TECHNICAL SPECIFICATIONS

JADE 9 is an IP66 compact spotlight, whose aluminium body hosts 9 high brightness RGB, Cold White, Natural White, Warm White or, on request, monochrome power LEDs. Dimensions: 160 mm x 95 mm x 194 mm. Available in DMX, automatic and Master-Slave mode. One Infrared Remote Control AL1321 must always be purchased for one or more JADE 9 units in order to access DMX addressing, stand-alone operations and DMX channels configurations. Power supply: standard 100÷277V / 50-60Hz. Power consumption: 0.2A @ 230V / 23W max. An Electrical Class I appliance, it also features integrated electronic thermal protection management. Operating temperature: -40°C to 50°C (-40°F to 122°F).

DIGITAL CONTROL SYSTEM SPECIFICATIONS AND CONFIGURATIONS AVAILABLE ON OUR WEBSITE



RUSSIA\_Bogatyr Hotel Complex, Sochi



# MICRO-CLIP MC/MK2 W

FAÇADE LIGHTING

Featuring high efficiency RGBW or tunable white multichip LEDs, **MICRO-CLIP MC** is an ultra compact spotlight ideal for spot lighting, exterior decoration effects and a vast choice of applications owing to its multiple beam angles options and full orientation pan and tilt mounting positions. An on-off version, **MICRO-CLIP MK2 W** is available in both cold and warm white light to meet any design specification.

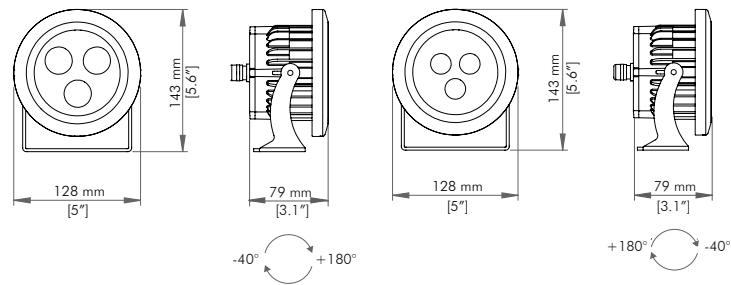


MICRO-CLIP MC/MK2 W

GRIVEND 

# MICRO-CLIP MC/MK2 W

GRIVEND



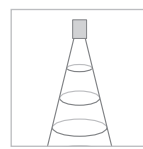
## BEAM ANGLE REFERENCE

### RGBW-DW

NARROW	14°
MEDIUM	28°
WIDE	40°

### WHITE LIGHT

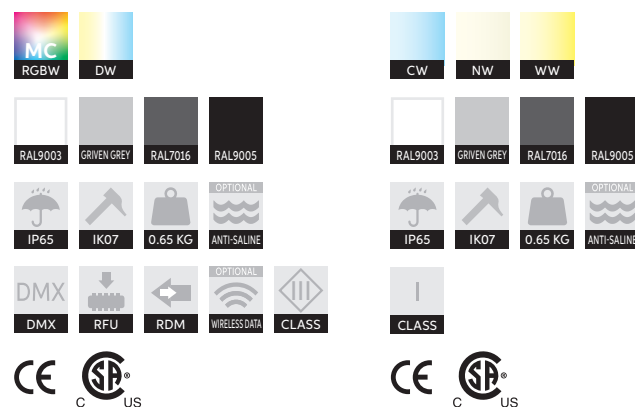
SPOT	12°
NARROW	15°
MEDIUM	25°
WIDE	47°
EXTRA WIDE	61°
ELLIPTICAL	14°x39°
ELLIPTICAL WIDE	23°x37°



MAX OUTPUT  
725 lm  
(SP CW configuration)

PHOTOMETRIC DETAILS AVAILABLE ON OUR WEBSITE

## FEATURES AND OPTIONS



## ACCESSORIES



## CODES

AL5240 MICRO-CLIP MC

### OPTICS

NA Narrow  
ME Medium  
WI Wide

### LED TYPE

RN RGB+W 4000K  
DW From 2700K to 6500K

### FINISH

W White RAL 9003  
G GRIVEN Grey  
A Anthracite RAL 7016  
B Black RAL 9005

AL5241 MICRO-CLIP MK2 W

### OPTICS

SP Spot  
NA Narrow  
ME Medium  
WI Wide  
EW Extra wide  
EL Elliptical  
WL Elliptical Wide

### LED TYPE

CW Cold White 6500K  
NW Natural White 4000K  
WW Warm White 3000K

### FINISH

W White RAL 9003  
G GRIVEN Grey  
A Anthracite RAL 7016  
B Black RAL 9005

## NOTES

Unless an RDM control is used, MICRO-CLIP MC must always be purchased with one AL2660 WeeZerd 1 to set its DMX address. The MC version requires an external power supply unit (up to 12 fittings). The white version is fitted with integrated power supply unit and does not feature DMX options.

## TECHNICAL SPECIFICATIONS

MICRO-CLIP MC is an IP65 ultra compact spotlight, whose aluminium body hosts 3 high brightness RGBW or Dynamic White multichip power LEDs. Dimensions: 128 mm x 79 mm x 143 mm. Available in remote DMX mode, it also features RFU (Remote firmware update) and RDM (Remote device management) functions. Power supply: 48V DC. Power consumption: 13.5W. An Electrical Class III appliance featuring integrated electronic thermal control management, it works with an IP67 separate power supply unit (100÷277V / 50-60Hz) with self-resetting fuse protection. Operating temperature: -40°C to 50°C (-40°F to 122°F).

MICRO-CLIP MK2 W is an IP65 ultra compact spotlight, whose aluminium body hosts 3 high brightness Cold White, Natural White or Warm White power LEDs. Dimensions: 128 mm x 79 mm x 143 mm. Power supply: standard 100÷277V / 50-60Hz. Power consumption: 6.9W per unit with in-built power supply. Electrical Class I. Operating temperature: -20°C to 40°C (-4°F to 104°F).

DIGITAL CONTROL SYSTEM SPECIFICATIONS AND CONFIGURATIONS AVAILABLE ON OUR WEBSITE





RUSSIA\_Moscow City Hall, Moscow



# MICRO-CLIP XQ

FAÇADE LIGHTING

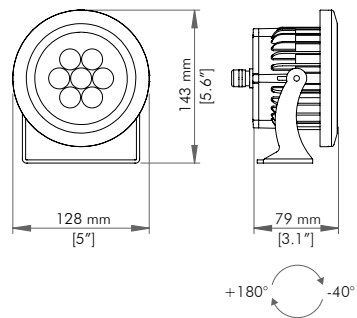
**MICRO-CLIP XQ** is a super compact spotlight fitted with seven highly performing white LEDs coupled with ultra spot lenses for an extremely narrow light beam. Its extraordinary luminous efficacy allows to enhance architectural details, such as columns or vertical shafts, with flawless wall grazing effects. **MICRO-CLIP XQ** is available in cold, natural and warm white light versions, as well as in monochrome releases on request, to meet any design specification.



MICRO-CLIP XQ

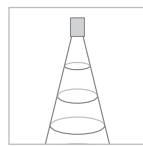
# MICRO-CLIP XQ

GRIVEND 



## BEAM ANGLE REFERENCE

ULTRA SPOT 4.2°



MAX OUTPUT  
1147 lm  
(US CW configuration)

PHOTOMETRIC DETAILS AVAILABLE ON OUR WEBSITE

## FEATURES AND OPTIONS



## ACCESSORIES



AL4125  
SNOOT



AL4126  
VISOR



AL8215  
120 mm FIXING BRACKET



AL8216  
200 mm FIXING BRACKET



AL8217  
300 mm FIXING BRACKET

## CODES

AL5230 MICRO-CLIP XQ

## OPTICS

US Ultra spot

## LED TYPE

CW Cold White 6500K  
NW Natural White 4000K  
WW Warm White 3000K

## FINISH

W White RAL 9003  
G GRIVEN Grey  
A Anthracite RAL 7016  
B Black RAL 9005

## TECHNICAL SPECIFICATIONS

MICRO-CLIP XQ is an IP65 ultra compact spotlight, whose aluminium body hosts 7 high brightness Cold White, Natural White or Warm White power LEDs. Dimensions: 128 mm x 79 mm x 143 mm. Power supply: standard 100÷277V / 50-60Hz. Power consumption: 0.06A @ 230VAC / 13.5W per unit with in-built power supply. Electrical Class I. Operating temperature: -20°C to 50°C (-4°F to 122°F).







# LINEAR WALL GRAZING

LINEAR MODULES

Newly engineered to meet the widest application range, the PARADE L flagship series is capable of delivering amazing wall grazing performances with an even light distribution.

Its independent pixel version has been specifically developed for the creation of dynamic visual concepts on large-scale architectural spaces, where low-resolution video files or graphic patterns can be displayed to generate eye-catching lighting shows.

Fitted with more compact housings, the mid-power microPARADE and nanoPARADE models assure maximum design flexibility as well as surprising effects. Reduced size and lightweight manageability ensure easy comfortable installation.

Offering colour changing, white, tunable white or on request, monochrome configurations, and available in different lengths, these surface mount linear modules offer utmost adaptability to different project prerequisites. Featuring outdoor use IP rating, each model is available also in CSA certified version.





# PARADE L-1 L-2 L-3 L-4

LINEAR MODULES

Available in four different lengths for maximum modular efficacy, the newly engineered **PARADE L** features unquestionably powerful luminous flux with real uniform colour coverage even on close-up installations for truly powerful wall grazing enhancement especially on large-scale architectural elements. The new assortment of premium class RGBW LEDs, now featuring 4000K natural white, delivers the widest range of chromatic combinations. Cold white, warm white, tunable white or, on request, single-colour configurations, complement a versatile selection of linear solutions. Responding to the most innovative lighting design needs, the independent pixel version has been specifically developed to create dynamic visual concepts on large-scale architectural spaces, where video animation or graphic patterns can be displayed to generate an eye-catching lighting show.

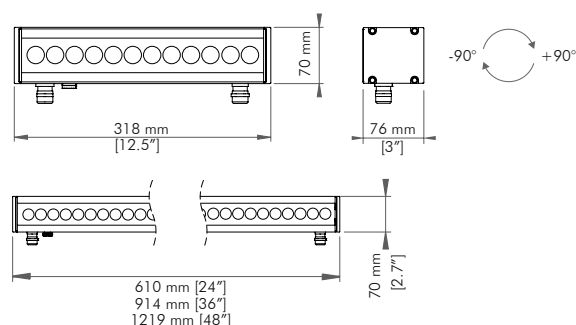


PARADE L-1 L-2 L-3 L-4

GRIVEN 

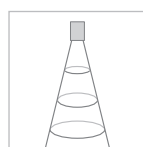
# PARADE L-1 L-2 L-3 L-4

GRIVEND



## BEAM ANGLE REFERENCE

RGBW		WHITE LIGHT	
SPOT	7°	SPOT	12°
NARROW	11°	NARROW	15°
MEDIUM	21°	MEDIUM	25°
WIDE	43°	WIDE	48°
EXTRA WIDE	69°	EXTRA WIDE	59°
ELLIPTICAL	9°x41°	ELLIPTICAL	14°x39°
ELLIPTICAL WIDE	20°x38°	ELLIPTICAL WIDE	23°x38°
WALL WASH	13°(5° incline)x37°	WALL WASH	19°(5° incline)x38°



MAX OUTPUT  
7560 lm  
(SP CW configuration)

PHOTOMETRIC DETAILS AVAILABLE ON OUR WEBSITE

## FEATURES AND OPTIONS



## ACCESSORIES



**AL5058 C** START LINE BOX  
(with connectors)

**AL5058 M** START LINE BOX  
(without connectors)

**AL5167 C** REPOWER BOX  
(with connectors)

**AL5167 M** REPOWER BOX  
(without connectors)

**AL5059 C** DMX JUNCTION  
BOX (with connectors)

**AL5059 M** DMX JUNCTION  
BOX (without connectors)



**AL5096** VISOR L-1

**AL5097** VISOR L-2

**AL5098** VISOR L-3

**AL5099** VISOR L-4



**AL5055** 80mm BRACKETS

**AL5056** 160mm BRACKETS

**AL5057** 260mm BRACKETS

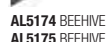


**AL5103** SNOOT L-1

**AL5104** SNOOT L-2

**AL5105** SNOOT L-3

**AL5106** SNOOT L-4



**AL5174** BEEHIVE L-1

**AL5175** BEEHIVE L-2

**AL5176** BEEHIVE L-3

**AL5177** BEEHIVE L-4



**AL8264** 1 m CONNECTION CABLE

**AL8265** 2 m CONNECTION CABLE

**AL8266** 3 m CONNECTION CABLE

**AL8267** 5 m CONNECTION CABLE

**AL8268** 10 m CONNECTION CABLE



**AL5169**  
DMX TERMINATOR



**AL1321** INFRARED  
REMOTE CONTROL

## CODES

AL5060 PARADE L-1

AL5061 PARADE L-1 PE

AL5070 PARADE L-3

AL5071 PARADE L-3 PE

AL5065 PARADE L-2

AL5066 PARADE L-2 PE

AL5075 PARADE L-4

AL5076 PARADE L-4 PE

## OPTICS

SP Spot  
NA Narrow  
ME Medium  
WI Wide  
EW Extra wide  
EL Elliptical  
WL Elliptical Wide  
WW Wall Wash

## LED TYPE

RN RGB+W 4000K  
DW From 2700K to 6500K  
CW Cold White 6500K  
NW Natural White 4000K  
WW Warm White 3000K

## CONTROL SYSTEM

R DMX-RDM  
S Self-addressing  
D DALI  
I Independent Pixels

## FINISH

W White RAL 9003  
G GRIVEN Grey  
A Anthracite RAL 7016  
B Black RAL 9005

## CABLE TYPE

C Monocable with connectors  
M Monocable without connectors

## NOTES

One Infrared Remote Control AL1321 must always be purchased for DMX/RDM and independent pixels versions, unless an RDM compatible control is used. More PARADE L units can be controlled with one AL1321. PARADE L must always be purchased with fixing brackets (see accessories).

## TECHNICAL SPECIFICATIONS

The linear bars of the PARADE L series are high luminance IP67 linear modules, whose extruded aluminium body hosts either 12, 24, 36 or 48 high brightness RGBW or Dynamic White LEDs or 6, 12, 18 or 24 Cold White, Natural White, Warm White or, on request, monochrome power LEDs. Dimensions: 318/610/914/1219 mm x 76 mm x 70 mm. Available in DMX, Automatic and Master-Slave mode, they also feature RFU (Remote Firmware Update) and RDM (Remote Device Management) functions. Self-addressing, DALI or Independent Pixel control available on request. One Infrared Remote Control AL1321 must always be purchased in order to access DMX addressing, stand-alone operations and DMX channels configurations for DMX/RDM and Independent Pixels versions, unless an RDM compatible control is used. Power supply: standard 100÷277V / 50-60Hz. Power consumption: L-1 0.097A @ 230V / 21W max. L-2 0.19A @ 230V / 42W max. L-3 0.28A @ 230V / 63W max. L-4 0.37A @ 230V / 84W max. An Electrical Class I appliance, it also features self-resetting fuse protection as well as integrated electronic thermal protection management. The Polar Edition, fitted with an integrated de-icing system with electrically heated glass, is available on request. Operating temperature: -40°C to 50°C (-40°F to 122°F).

DIGITAL CONTROL SYSTEM SPECIFICATIONS AND CONFIGURATIONS AVAILABLE ON OUR WEBSITE





# microPARADE

LINEAR MODULES

**microPARADE** is an extremely compact modular bar, ideal for wall grazing effects owing to its specifically developed modular optics groups. Available with 12, 24 or 36 mid-power LEDs, this linear profile delivers optimal efficacy and reliability beside a richer alternative of intense and bright colour hues. Housing in-built electronics and power supply unit, its lightweight chassis allows comfortable outdoor installations on balconies, windows or façades where a reduced mounting space drastically limits the range of suitable products.

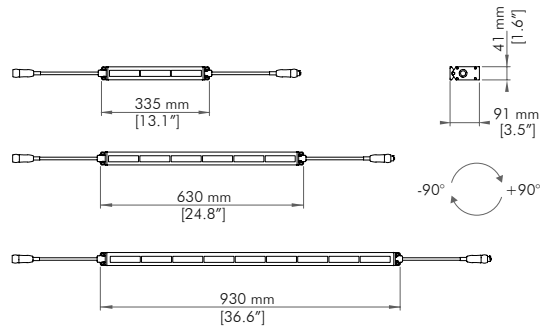


microPARADE

GRIVEN 

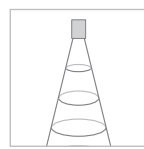
# microPARADE

GRIVEND 



## BEAM ANGLE REFERENCE

ELLIPTICAL 35°x93°  
WALL WASH 23°(5° incline)x98°



MAX OUTPUT  
2926 lm  
(WW CW configuration)

PHOTOMETRIC DETAILS AVAILABLE ON OUR WEBSITE

## FEATURES AND OPTIONS



## ACCESSORIES



**AL5058 C** START LINE BOX  
(with connectors)  
**AL5058 M** START LINE BOX  
(without connectors)



**AL5167 C** REPOWER BOX  
(with connectors)  
**AL5167 M** REPOWER BOX  
(without connectors)



**AL5059 C** DMX JUNCTION  
BOX (with connectors)  
**AL5059 M** DMX JUNCTION  
BOX (without connectors)



**AL8264** 1 m CONNECTION CABLE  
**AL8265** 2 m CONNECTION CABLE  
**AL8266** 3 m CONNECTION CABLE  
**AL8267** 5 m CONNECTION CABLE  
**AL8268** 10 m CONNECTION CABLE



**AL2660**  
WEEZERD 1



**AL5168**  
LINE END CAP



**AL5169**  
DMX TERMINATOR

## CODES

AL4362 microPARADE 12  
AL4363 microPARADE 24  
AL4364 microPARADE 36

## OPTICS

EL Elliptical  
WW Wall Wash

## LED TYPE

RN RGB+W 4000K  
DW From 2700K to 6500K  
CW Cold White 6500K  
NW Natural White 4000K  
WW Warm White 3000K

## FINISH

W White RAL 9003  
G GRIVEN Grey  
A Anthracite RAL 7016  
B Black RAL 9005

## OPTION

M Fitted with in and out  
DMX and power cables  
C Fitted with in and out  
DMX and power cables  
and connectors

## NOTES

Unless an RDM control is used, microPARADE must always be purchased with one AL2660 WeeZerd 1 to set its DMX address.

## TECHNICAL SPECIFICATIONS

microPARADE is an extremely compact IP67 bar specific for wall grazing effects, whose extruded aluminium body hosts either 12, 24 or 36 high brightness RGBW, Dynamic White, Cold White, Natural White, Warm White or, on request, monochrome power LEDs. Dimensions: 335/630/930 mm X 41 mm x 91 mm. Available in DMX, automatic and Master-Slave mode, it also features RFU (Remote firmware update), RDM (Remote device management), functions. Unless an RDM compatible control is used, microPARADE must always be purchased with AL2660 WeeZerd 1 to set its DMX address. Power supply: standard 100÷277V / 50-60Hz. Power consumption: microPARADE 12: 0.11A @ 230V / 11W ca. microPARADE 24: 0.17A @ 230V / 19W ca. microPARADE 36: 0.23A @ 230V / 28W ca. An Electrical Class I appliance, it also features self-resetting fuse protection as well as integrated electronic thermal protection management. Operating temperature: -20°C to 50°C (-4°F to 122°F).

DIGITAL CONTROL SYSTEM SPECIFICATIONS AND CONFIGURATIONS AVAILABLE ON OUR WEBSITE



CHECHEN REPUBLIC, RUSSIA\_The Pride of Muslims Mosque, Shali





# nanoPARADE

LINEAR MODULES

Featuring micro-sized profile and lightweight manageability, **nanoPARADE** is the ideal solution for easy outdoor installation on balconies, windows or façades where a reduced mounting space drastically limits the range of suitable products. With an optimal light output efficacy, different length choices and a density of 50 LEDs per metre, more units can be comfortably set-up for creative accent and linear lighting design.

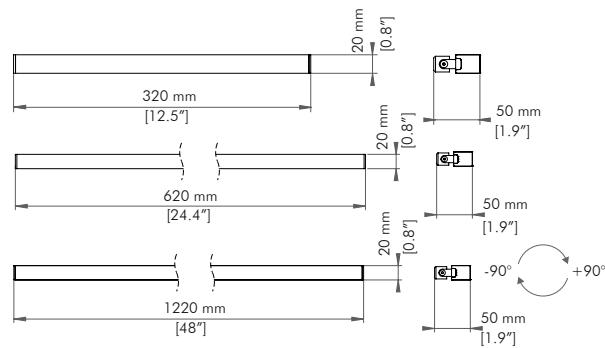


n a n o P A R A D E

GRIVEN 

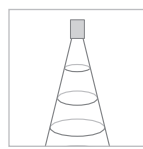
# nanoPARADE

GRIVEND 



## BEAM ANGLE REFERENCE

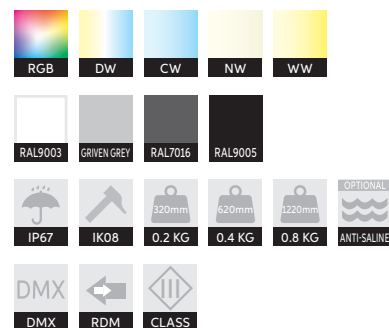
ALL VERSIONS 120°



MAX OUTPUT  
936 lm  
(12 CW configuration)

PHOTOMETRIC DETAILS AVAILABLE ON OUR WEBSITE

## FEATURES AND OPTIONS



## ACCESSORIES



## CODES

AL4484 nanoPARADE

LENGTH	LED TYPE	OPTION
03 320 mm	RG RGB	A Active (only for RGB versions)
06 620 mm	DW From 2700K to 6500K	P Passive
12 1220 mm	CW Cold White 6500K	A In and out power and DMX cables and connectors
	NW Natural White 4000K	B In and out power and DMX cables
	WW Warm White 3000K	S Standard fixing
		L Fixing bracket for 03
		F Fixing bracket for 06/12

## NOTES

Unless an RDM control is used, nanoPARADE must always be purchased with one AL2660 WeeZerd 1 to set its DMX address.

## TECHNICAL SPECIFICATIONS

Available in three different lengths, nanoPARADE is an IP67 ultra compact linear profile, whose extruded anodized aluminium body hosts high brightness RGB, Dynamic White, Cold White, Natural White, Warm White or, on request, monochrome power LEDs. LEDs density: 50/m. Dimensions: 320 mm/620 mm /1220 mm x 20 mm x 50 mm. Available in DMX, automatic and Master-Slave mode, it also features RDM (Remote device management) function. Unless an RDM control is used, nanoPARADE must always be purchased with one AL2660 WeeZerd 1 to set its DMX address. Power supply: 24Vdc. Power consumption: RGB 0.6A/m, 14.4 W/m, WHITE: 0.45A/m, 10W/m. An Electrical Class III appliance, it also features integrated electronic thermal protection management. Operating temperature: -10°C to 50°C (14°F to 158°F).

DIGITAL CONTROL SYSTEM SPECIFICATIONS AND CONFIGURATIONS AVAILABLE ON OUR WEBSITE



Typical product installation





# RECESSED APPLICATIONS

LINEAR MODULES

These cutting-edge in-ground mounting linear modules of the PARADE L RECESSED series boast an extraordinarily efficient light output and have been conceived to conveniently blend in heterogeneous architectural environments.

The amazing wall washing and wall grazing effects delivered offer homogeneous photometric distribution even on close-up installations and a comprehensive portfolio of powerful and versatile RGBW, pure white, tunable white or, on request, monochrome combinations features full design adaptability.

The independent pixel optional version displays eye-catching lighting shows through the dynamic rendering of any graphic pattern or visual animation.

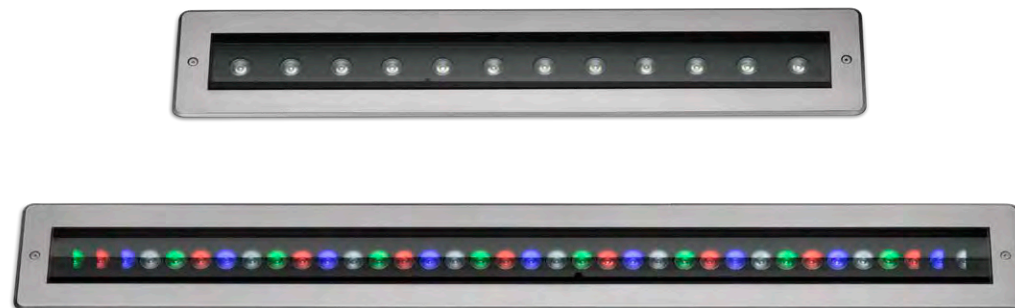
Suitable for applications in pedestrian areas, the MOLED series provides micro-shaped linear solutions for pathways signalling, parks and public spaces enhancement, where the IP67 rating, in a seamless flush-mount, robust and stylish module, guarantees enduring exterior performance.



# PARADE L-2 L-3 RECESSED

LINEAR MODULES

**PARADE L-2** and **L-3 RECESSED** feature superb output and real uniform colour coverage purposely on close-up installations. Their modular, super flux, high luminance and versatile optical configuration delivers perfect wall grazing effects for in-ground applications. The new assortment of premium class RGBW LEDs, now featuring 4000K natural white, offers the widest range of chromatic combinations. Cold white, warm white, tunable white or, on request, single-colour selections, complement a versatile choice of linear solutions. The independent-pixel optional version displays eye-catching lighting shows through the dynamic rendering of any graphic pattern or visual animation. Thanks to the IP67 weather protection, the integrated electronic power supply and the quick plug&play set-up, this newly engineered luminaire series is a cutting-edge solution for comfortable and durable recessed use in pedestrian areas.

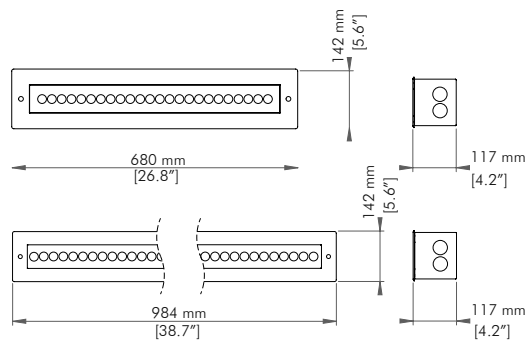


PARADE L-2 L-3 RECESSED

GRIVEN 

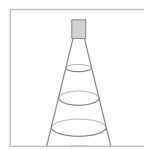
# PARADE L RECESSED

GRIVEND 



## BEAM ANGLE REFERENCE

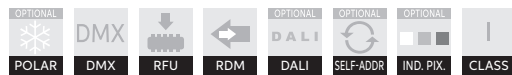
RGBW		WHITE LIGHT	
SPOT	7°	SPOT	12°
NARROW	11°	NARROW	15°
MEDIUM	21°	MEDIUM	25°
WIDE	43°	WIDE	48°
EXTRA WIDE	69°	EXTRA WIDE	59°
ELLIPTICAL	9°x41°	ELLIPTICAL	14°x39°
ELLIPTICAL WIDE	20°x38°	ELLIPTICAL WIDE	23°x38°
WALL WASH	13°(5° incline)x37°	WALL WASH	19°(5° incline)x38°



MAX OUTPUT  
5670 lm  
(SP CW configuration)

PHOTOMETRIC DETAILS AVAILABLE ON OUR WEBSITE

## FEATURES AND OPTIONS



## ACCESSORIES



**AL5168**  
LINE END CAP



**AL1321**  
INFRARED REMOTE CONTROL



**AL5169**  
DMX TERMINATOR



**AL5175** BEEHIVE ANTIGLARE L-2  
**AL5176** BEEHIVE ANTIGLARE L-3



**AL5058C** START LINE BOX  
(with connector)  
**AL5058M** START LINE BOX  
(without connector)



**AL5059C** DMX JUNCTION BOX  
(with connector)  
**AL5059M** DMX JUNCTION BOX  
(without connector)



**AL5167C** REPOWER BOX  
(with connector)  
**AL5167M** REPOWER BOX  
(without connector)



**AL8264** 1 m CONNECTION CABLE  
**AL8265** 2 m CONNECTION CABLE  
**AL8266** 3 m CONNECTION CABLE  
**AL8267** 5 m CONNECTION CABLE  
**AL8268** 10 m CONNECTION CABLE

## CODES

AL5068 PARADE L-2 RECESSED

AL5073 PARADE L-3 RECESSED

## OPTICS

SP Spot  
NA Narrow  
ME Medium  
WI Wide  
EW Extra wide  
EL Elliptical  
WL Elliptical Wide  
WW Wall Wash

## LED TYPE

RN RGB+W 4000K  
DW From 2700K to 6500K  
CW Cold White 6500K  
NW Natural White 4000K  
WW Warm White 3000K

## CONTROL SYSTEM

R DMX-RDM  
S Self-addressing  
D DALI  
I Independent pixels

## CABLE TYPE

C Monocable  
with connectors  
M Monocable  
without connectors

## OPTION

P Polar Edition

## NOTES

One Infrared Remote Control AL1321 must always be purchased for DMX/RDM and independent pixels versions, unless an RDM compatible control is used. More PARADE L Recessed units can be controlled with one AL1321.

## TECHNICAL SPECIFICATIONS

PARADE L-2 and L-3 RECESSED are modular, super flux, high luminance in-ground IP67 linear LED bars, whose extruded aluminium body fitted with stainless steel flange and formwork hosts either 24 or 36 high brightness RGBW or Dynamic White, 12 and 24 Cold White, Natural White, Warm White or, on request, monochrome power LEDs. Dimensions: 680/984 mm x 142 mm x 107 mm. Available in DMX, Automatic and Master-Slave mode, they also feature RFU (Remote Firmware Update) and RDM (Remote Device Management) functions. Self-addressing, DALI or Independent Pixel versions available on request. One Infrared Remote Control AL1321 must always be purchased in order to access DMX addressing, stand-alone operations and DMX channels configurations for DMX/RDM and Independent Pixels versions, unless an RDM compatible control is used. Power supply: standard 100÷277V / 50-60Hz. Power consumption: L-2 RGBW 0.19A @ 230V / 42W max, L-2 W 0.18A @ 230V / 40W max, L-3 RGBW 0.28A @ 230V / 63W max, L-3 W 0.27A @ 230V / 60W max. An Electrical Class I appliance, it also features self-resetting fuse protection as well as integrated electronic thermal protection management. The Polar Edition, fitted with an integrated de-icing system with electrically heated glass, is available on request. Operating temperature: -40°C to 50°C (-40°F to 122°F).

DIGITAL CONTROL SYSTEM SPECIFICATIONS AND CONFIGURATIONS AVAILABLE ON OUR WEBSITE





VIETNAM The Citadel, Hue Imperial City



# MOLED 25 50

LINEAR MODULES

Suitable for applications in pedestrian areas, the MOLED series provides micro-shaped linear solutions for pathways signalling, parks and public spaces enhancement, where the IP67 rating, in a seamless flush-mount, robust and stylish module, guarantees enduring exterior performance. Combinations of multiple **MOLED 25** or **50** modules, available with an RGB multichip, white, tunable white or, on request, monochrome versions, can be comfortably set-up with invariable pixel pitch for a uniform visual pattern layout also with angle installations.

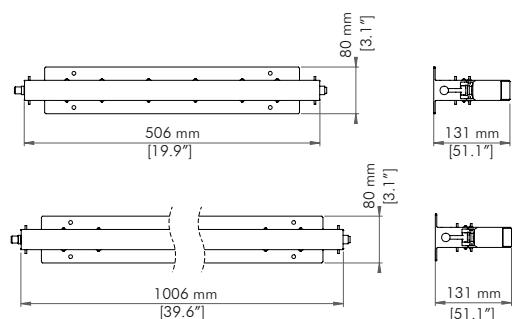


MOLED 25 50

GRIVEND 

# MOLED 25 50

GRIVEND 



PHOTOMETRIC DETAILS AVAILABLE ON OUR WEBSITE

## CODES

AL4369 MOLED 25

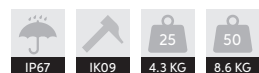
AL4370 MOLED 50

OPTICS	LED TYPE	CONTROL SYSTEM
GO Opaline glass	RG RGB	R DMX-RDM
	DW From 2700K to 6500K	S Self-addressing
	CW Cold White 6500K	
	NW Natural White 4000K	
	WW Warm White 3000K	

## NOTES

One Weezerd 1 AL2660 must always be purchased for DMX-RDM version, unless an RDM compatible control is used. More MOLED units can be controlled with one AL2660.

## FEATURES AND OPTIONS



## ACCESSORIES



**AL2121** IP67 START LINE BOX  
**AL2122** IP67 REPOWER BOX



**AL4473** DMX TERMINATOR  
(for RDM versions)



**AL4462**  
ELBOW ARRAY FIXING



**AL2012** 1 m CONNECTION CABLE  
**AL2015** 2 m CONNECTION CABLE  
**AL2017** 3 m CONNECTION CABLE  
**AL2055** 5 m CONNECTION CABLE  
**AL2019** 10 m CONNECTION CABLE



**AL4454** FORMWORK  
END CAP



**AL4450**  
ELECTRONIC DRIVER



**AL4453**  
LINE END CAP



**AL2660**  
WEEZERD 1

## TECHNICAL SPECIFICATIONS

MOLED 25 and 50 are in-ground LED profiles, whose IP67 AISI 316L stainless steel housing hosts either 50 or 100 high brightness RGB, Dynamic White, Cold White, Natural White, Warm White or, on request, monochrome power LEDs. Dimensions: 506/1006 mm x 80 mm x 131 mm. Available in DMX mode, they also feature RFU (Remote firmware update) and RDM (Remote device management) functions. Self-addressing control available on request. One Weezerd 1 AL2660 must always be purchased in order to access DMX addressing and channels configuration for DMX/RDM versions, unless an RDM compatible control is used. Power supply: 48Vdc. Power Consumption: 18 W/m. Power chain max: 16 MOLED 25 with 240W power supply (AL4450). 8 MOLED 50 with 240W power supply (AL4450). An Electrical Class III appliance, it also features integrated electronic thermal protection management. Operating temperature: -40°C to 50°C (-40°F to 122°F).

DIGITAL CONTROL SYSTEM SPECIFICATIONS AND CONFIGURATIONS AVAILABLE ON OUR WEBSITE



Typical product installation



# RECESSED APPLICATIONS

ROUND SHAPED FIXTURES

Dynamically blending with many different architectural environments, these cutting-edge in-ground mounting round shaped uplighters boast an extraordinarily functional light output. This portfolio of efficient colour changing solutions features alternatively white or monochrome LEDs versions for full design adaptability. The new combination of premium class RGBW LEDs, featuring 4000K natural white, delivers the widest range of warm white shades and pastel tones assortment. Flexible planning is further enhanced by a wide choice of high build design optics making the range ideal for spot lighting and wall washing with uniform colour coverage purposely on close-up installations. With a 2000 Kg deadweight capacity featured by almost all the fittings, this series is suitable for recessed applications even in vehicular areas. The IP67 rating guarantees robust and enduring exterior installation.





# DUNE MC

RECESSED APPLICATIONS

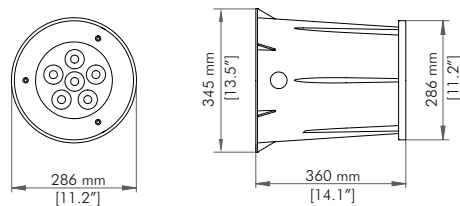
Fitted with powerful multichip LEDs and featuring a smart beam angle orientation adjustment, **DUNE MC** is an IP67 highly performing LED fixture ideal for spot lighting and wall washing effects in exterior recessed applications. The 2000 Kg deadweight load capacity makes it suitable for in-ground applications even in vehicular areas.



DUNE MC

# DUNE MC

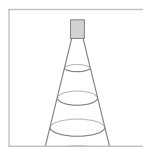
GRIVEND 



+/- 10° TILT

## BEAM ANGLE REFERENCE

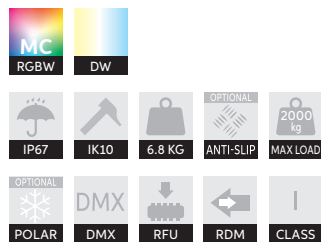
SPOT	7°
NARROW	10°
MEDIUM	23°
WIDE	35°



MAX OUTPUT  
1395 lm  
(SP DW configuration)

PHOTOMETRIC DETAILS AVAILABLE ON OUR WEBSITE

## FEATURES AND OPTIONS



## ACCESSORIES



AL1321 INFRARED  
REMOTE CONTROL



AL8203 ANTIGLARE  
(only for white light versions)

## CODES

AL5242 DUNE MC

## OPTICS

SP Spot  
NA Narrow  
ME Medium  
WI Wide

## LED TYPE

RN RGB+W 4000K  
DW From 3000K to 6500K

## OPTION

PE Polar Edition

## NOTES

Unless an RDM compatible control is used, DUNE MC must always be purchased with AL1321 Infrared Remote Control. More DUNE MC units can be controlled with one AL1321.

## TECHNICAL SPECIFICATIONS

DUNE MC is an IP67 in-ground luminaire, whose die cast aluminium body fitted with AISI 316L stainless steel flange hosts 6 high brightness RGBW or Dynamic White multichip power LEDs. Dimensions: Ø 286/345 mm x 360 mm depth. Available in DMX, automatic and Master-Slave mode, it also features RFU (Remote firmware update) and RDM (Remote device management) functions. Unless an RDM compatible control is used, one Infrared Remote Control AL1321 must always be purchased for one or more DUNE MC units in order to access DMX addressing, stand-alone operations and DMX channels configurations. Power supply: standard 100÷277V / 50-60Hz. Power consumption: 0.4A @ 230V / 45W max. An Electrical Class I appliance, it also features self-resetting fuse protection as well as integrated electronic thermal protection management. A 2000 Kg deadweight load capacity makes it suitable for ground mounting applications even in vehicular areas. Beam angle orientation adjustment of +/- 10° (TILT). The Polar Edition, fitted with an integrated de-icing system with electrically heated glass, is available on request. Operating temperature: -40°C to 50°C (-40°F to 122°F).

DIGITAL CONTROL SYSTEM SPECIFICATIONS AND CONFIGURATIONS AVAILABLE ON OUR WEBSITE



IRELAND\_Phoenix Column, Dublin



# DUNE MK2

RECESSED APPLICATIONS

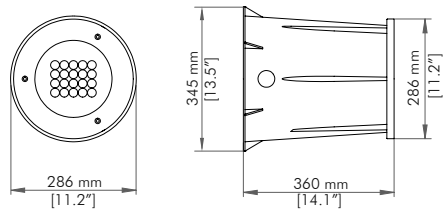
With its IP67 rating and beam angle orientation adjustment, **DUNE MK2** is a highly performing LED light fixture specifically designed for exterior recessed applications. The 2000 Kg deadweight load capacity makes it suitable for ground mounting applications even in vehicular areas.



DUNE MK2

# DUNE MK2

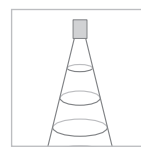
GRIVEND 



+/- 10° TILT

## BEAM ANGLE REFERENCE

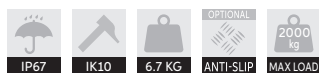
RGBW		WHITE LIGHT	
SPOT	7°	SPOT	12°
NARROW	12°	NARROW	15°
MEDIUM	21°	MEDIUM	25°
WIDE	43°	WIDE	47°
EXTRA WIDE	66°	EXTRA WIDE	61°
ELLIPTICAL	11°x40°	ELLIPTICAL	14°x39°
ELLIPTICAL WIDE	20°x40°	ELLIPTICAL WIDE	23°x37°



MAX OUTPUT  
3046 lm  
(SP CW configuration)

PHOTOMETRIC DETAILS AVAILABLE ON OUR WEBSITE

## FEATURES AND OPTIONS



## ACCESSORIES



AL1321 INFRARED  
REMOTE CONTROL



AL8203 ANTIGLARE  
(only for white light versions)

## CODES

AL4850 DUNE MK2

## OPTICS

SP Spot  
NA Narrow  
ME Medium  
WI Wide  
EW Extra wide  
EL Elliptical  
WL Elliptical Wide

## LED TYPE

RN RGB+W 4000K  
DW From 2700K to 6500K  
CW Cold White 6500K  
NW Natural White 4000K  
WW Warm White 3000K

## NOTES

Unless an RDM compatible control is used, DUNE MK2 must always be purchased with AL1321 Infrared Remote Control. More DUNE MK2 units can be controlled with one AL1321.

## TECHNICAL SPECIFICATIONS

DUNE MK2 is an IP67 in-ground luminaire, whose die cast aluminium body fitted with AISI 316L stainless steel flange hosts 20 high brightness RGBW, Dynamic white, Cold White, Natural White, Warm White or, on request, monochrome power LEDs. Dimensions: Ø 286/345 mm x 360 mm depth. Available in DMX, automatic and Master-Slave mode, it also features RFU (Remote firmware update) and RDM (Remote device management) functions. Unless an RDM compatible control is used, one Infrared Remote Control AL1321 must always be purchased for one or more DUNE MK2 units in order to access DMX addressing, stand-alone operations and DMX channels configurations. Power supply: standard 100÷277V / 50-60Hz. Power consumption: 0.27A @ 230V / 29W max. An Electrical Class I appliance, it also features self-resetting fuse protection as well as integrated electronic thermal protection management. A 2000 Kg deadweight load capacity makes it suitable for ground mounting applications even in vehicular areas. Beam angle orientation adjustment of +/- 10° (TILT). Operating temperature: -40°C to 50°C (-40°F to 122°F).

DIGITAL CONTROL SYSTEM SPECIFICATIONS AND CONFIGURATIONS AVAILABLE ON OUR WEBSITE



IRELAND\_ The Family Sculpture, Duleek



336-337  
236-237  
135

338-340  
238  
136-138



# RUBY MCR

RECESSED APPLICATIONS

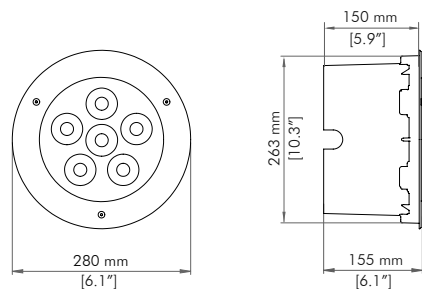
Featuring shallow recessed depth for a comfortable in-ground installation, **RUBY MC R** is a highly performing uplighter, fitted with powerful multichip LEDs, specifically designed for exterior recessed applications. This compact IP67 rated light fitting features a 2000 Kg deadweight load capacity that makes it suitable for ground mounting applications even in vehicular areas.



RUBY MCR

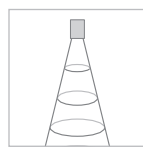
# RUBY MC R

GRIVEND 



## BEAM ANGLE REFERENCE

SPOT	7°
NARROW	10°
MEDIUM	23°
WIDE	34°



MAX OUTPUT  
1767 lm  
(SP DW configuration)

PHOTOMETRIC DETAILS AVAILABLE ON OUR WEBSITE

## FEATURES AND OPTIONS



## ACCESSORIES



**AL1321** INFRARED  
REMOTE CONTROL



**AL8203** ANTIGLARE  
(only for white light versions)

## CODES

AL5248 RUBY MC R

## OPTICS

SP Spot  
NA Narrow  
ME Medium  
WI Wide

## LED TYPE

RN RGB+W 4000K  
DW From 3000K to 6500K

## OPTION

PE Polar Edition

## NOTES

Unless an RDM compatible control is used, RUBY MC R must always be purchased with AL1321 Infrared Remote Control. More RUBY MC R units can be controlled with one AL1321.

## TECHNICAL SPECIFICATIONS

RUBY MC R is an IP67 in-ground luminaire, whose die cast aluminium body fitted with AISI 316L stainless steel flange hosts 6 high brightness RGBW or Dynamic White multichip power LEDs. Dimensions: Ø 280/263 mm x 155/150 mm depth. Available in DMX, automatic and Master-Slave mode, it also features RFU (Remote firmware update) and RDM (Remote device management) functions. Unless an RDM compatible control is used, one Infrared Remote Control AL1321 must always be purchased for one or more RUBY MC R units in order to access DMX addressing, stand-alone operations and DMX channels configurations. Power supply: standard 100÷277V / 50-60Hz. Power consumption: 0.26A @ 230V / 58W max. An Electrical Class I appliance, it also features self-resetting fuse protection as well as integrated electronic thermal protection management. A 2000 Kg deadweight load capacity makes it suitable for ground mounting applications even in vehicular areas. The Polar Edition, fitted with an integrated de-icing system with electrically heated glass, is available on request. Operating temperature: -40°C to 50°C (-40°F to 122°F).

DIGITAL CONTROL SYSTEM SPECIFICATIONS AND CONFIGURATIONS AVAILABLE ON OUR WEBSITE



HUNGARY\_Puskás Arena, Budapest

CATFISH AND  
THE BOTTLEMEN  
SEPT 29

ELVIS COSTELLO & THE  
THEATRE OF TRAGEDY

ATTHEATRE



# RUBY R

RECESSED APPLICATIONS

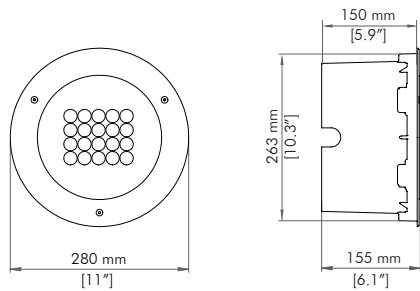
Specifically designed for exterior recessed applications, **RUBY R** is a highly performing LED fixture featuring shallow recessed depth for a comfortable in-ground installation. A 2000 Kg deadweight load capacity makes this compact IP67 rated unit suitable for ground mounting applications even in vehicular areas.



RUBY R

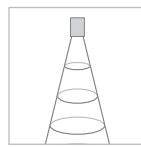
# RUBY R

GRIVEND 



## BEAM ANGLE REFERENCE

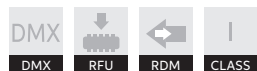
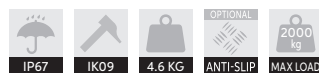
RGBW		WHITE LIGHT	
SPOT	7°	SPOT	12°
NARROW	11°	NARROW	15°
MEDIUM	21°	MEDIUM	25°
WIDE	43°	WIDE	47°
EXTRA WIDE	69°	EXTRA WIDE	61°
ELLIPTICAL	9°x41°	ELLIPTICAL	14°x39°
ELLIPTICAL WIDE	20°x38°	ELLIPTICAL WIDE	23°x37°
WALL WASH	14°(16° incline)x37°	WALL WASH	24°(16° incline)x63°



MAX OUTPUT  
3781 lm  
(SP CW configuration)

PHOTOMETRIC DETAILS AVAILABLE ON OUR WEBSITE

## FEATURES AND OPTIONS



## ACCESSORIES



AL1321 INFRARED  
REMOTE CONTROL



AL8203 ANTIGLARE  
(only for white light versions)

## CODES

AL4992 RUBY R

## OPTICS

SP Spot	RN RGB+W 4000K
NA Narrow	DW From 2700K to 6500K
ME Medium	CW Cold White 6500K
WI Wide	NW Natural White 4000K
EW Extra wide	WW Warm White 3000K
EL Elliptical	
WL Elliptical Wide	
WW Wall Wash	

## LED TYPE

## NOTES

Unless an RDM compatible control is used, RUBY R must always be purchased with AL1321 Infrared Remote Control. More RUBY R units can be controlled with one AL1321.

## TECHNICAL SPECIFICATIONS

RUBY R is an IP67 in-ground luminaire, whose die cast aluminium body fitted with AISI 316L stainless steel flange hosts 20 high brightness RGBW, Dynamic white, Cold White, Natural White, Warm White or, on request, monochrome power LEDs. Dimensions: Ø 280/263 mm x 155/150 mm depth. Available in DMX, automatic and Master-Slave mode, it also features RFU (Remote firmware update) and RDM (Remote device management) functions. Unless an RDM compatible control is used, one Infrared Remote Control AL1321 must always be purchased for one or more RUBY R units in order to access DMX addressing, stand-alone operations and DMX channels configurations. Power supply: standard 100÷277V / 50-60Hz. Power consumption: 0.17A @ 230V / 36W max. An Electrical Class I appliance, it also features self-resetting fuse protection as well as integrated electronic thermal protection management. A 2000 Kg deadweight load capacity makes it suitable for ground mounting applications even in vehicular areas. Operating temperature: -40°C to 50°C (-40°F to 122°F).

DIGITAL CONTROL SYSTEM SPECIFICATIONS AND CONFIGURATIONS AVAILABLE ON OUR WEBSITE

**BASTILLE**

SEPT 21





# SATHURNO

RECESSED APPLICATIONS

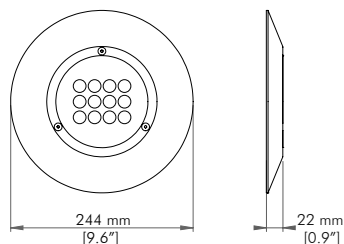
An ultra compact light fitting for spot lighting and wall grazing effects, **SATHURNO** is a highly performing LED uplighter specifically designed for exterior applications in areas where in-ground installation is not possible or required. Suitable for pedestrian areas, its thin, yet robust chassis allows a comfortable ground positioning.



SATHURNO

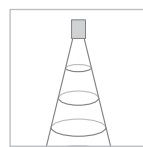
# SATHURNO

GRIVEN 



## BEAM ANGLE REFERENCE

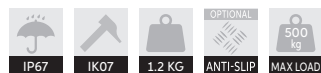
NARROW	12°
MEDIUM	27°
WIDE	51°
EXTRA WIDE	55°
ELLIPTICAL	34°x11°
ELLIPTICAL WIDE	30°x51°
WALL WASH	35° (13° incline) x 106°



MAX OUTPUT  
1512 lm  
(NA CW configuration)

PHOTOMETRIC DETAILS AVAILABLE ON OUR WEBSITE

## FEATURES AND OPTIONS



## ACCESSORIES



**AL4322**  
IP65 DMX LED DRIVER



**AL4380** IP20 DMX-DALI CONVERTER  
(only for W versions)



**AL4326**  
IP20 DMX LED DRIVER



**AL4324** IP20 DALI LED DRIVER  
(only for W versions)

## CODES

### AL4320 SATHURNO

#### OPTICS

NA Narrow  
ME Medium  
WI Wide  
EW Extra wide  
EL Elliptical  
WL Elliptical Wide  
WW Wall Wash

#### LED TYPE

RN RGB+W 4000K  
DW From 2700K to 6500K  
CW Cold White 6500K  
NW Natural White 4000K  
WW Warm White 3000K

#### FINISH

W White RAL 9003  
G GRIVEN Grey  
A Anthracite RAL 7016  
B Black RAL 9005

## TECHNICAL SPECIFICATIONS

SATHURNO is an IP67 surface mount luminaire, whose die cast aluminium body hosts 12 high brightness RGBW, Cold White, Natural White, Warm White or, on request, monochrome power LEDs. Dimensions: Ø 244 mm x 22 mm. Available in DMX, automatic and Master-Slave mode, it also features RDM (Remote device management) function. Power supply: RGBW versions: separate LED driver powering up to 3 units (IP65 AL4322 100÷277V – 50-60 Hz or IP20 AL4326 24Vdc). Monochrome versions : separate LED driver powering up to 1 unit (AL4324 100÷277V - 50-60 Hz). Power consumption: 21W max. Electrical Class III. A 500 Kg deadweight load capacity makes it suitable for ground mounting applications in pedestrian areas. 10m power supply cable included. Operating temperature: -40°C to 50°C (-40°F to 122°F).

DIGITAL CONTROL SYSTEM SPECIFICATIONS AND CONFIGURATIONS AVAILABLE ON OUR WEBSITE





# MICRO-DUNE MC/MK2 W

RECESSED APPLICATIONS

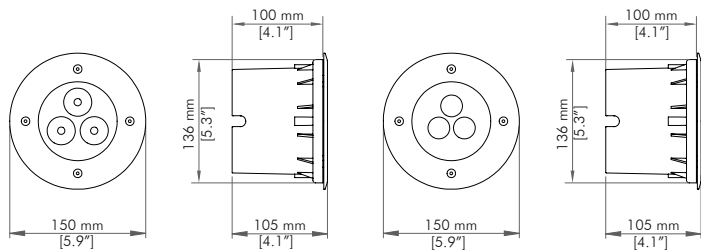
Recently upgraded with high brightness RGBW or tunable white multichip LEDs, **MICRO-DUNE MC** is a super compact IP67 rated uplighter specifically engineered for exterior recessed use also in vehicular areas. Delivering a distinctive light output for directive application or decorative lighting patterns creation, it harmoniously blends with the surrounding architectural environment providing discreetly essential solutions. An on-off version, **MICRO-DUNE MK2 W** is available in both cold and warm white light to meet any design specification. A 3000 Kg deadweight load capacity makes it suitable for ground mounting applications even in vehicular areas.



MICRO-DUNE MC/MK2 W

# MICRO-DUNE MC/MK2 W

GRIVEND 

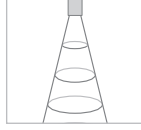


## BEAM ANGLE REFERENCE

### RGBW-DW

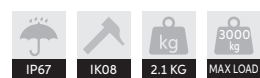
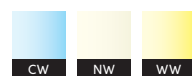
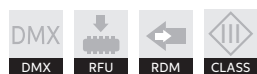
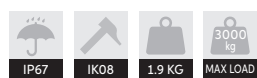
NARROW	14°
MEDIUM	28°
WIDE	40°

### WHITE LIGHT

SPOT	12°	 <p>MAX OUTPUT 725 lm (SP CW configuration)</p>
NARROW	15°	
MEDIUM	25°	
WIDE	47°	
EXTRA WIDE	61°	
ELLIPTICAL	14°x39°	
ELLIPTICAL WIDE	23°x37°	

PHOTOMETRIC DETAILS AVAILABLE ON OUR WEBSITE

## FEATURES AND OPTIONS



## ACCESSORIES



**AL8213** IP67 SEPARATE ELECTRONIC DRIVER (only for RGBW versions)



**AL2660** WEEZERD 1



**AL8261** ANTIGLARE (only for monochrome versions)

## CODES

AL5243 MICRO-DUNE MC

## OPTICS LED TYPE

NA Narrow	RN RGB+W 4000K
ME Medium	DW From 2700K to 6500K
WI Wide	

AL5244 MICRO-DUNE MK2 W

## OPTICS LED TYPE

SP Spot	CW Cold White 6500K
NA Narrow	NW Natural White 4000K
ME Medium	WW Warm White 3000K
WI Wide	
EW Extra wide	
EL Elliptical	
WL Elliptical Wide	

## NOTES

Unless an RDM control is used, MICRO-DUNE MC must always be purchased with one AL2660 WeeZerd 1 to set its DMX address. The RGBW and DW versions require an external power supply unit. The white version is fitted with integrated power supply unit and does not feature DMX options.

## TECHNICAL SPECIFICATIONS

MICRO-DUNE MC is an IP67 ultra compact recessed uplighter, whose die cast aluminium case fitted with stainless steel flange hosts 3 high brightness RGBW or tunable white multichip power LEDs. Dimensions: Ø 150/136 mm x 105/100 mm depth. Available in remote DMX mode, it also features RFU (Remote firmware update) and RDM (Remote device management) functions. Power supply: 48V DC. Power consumption: 13.5W. An Electrical Class III appliance, it works with an IP67 separate electronic driver featuring self-resetting fuse protection, powering up to 12 units. Integrated electronic thermal control management. A 3000 Kg deadweight load capacity makes it suitable for ground mounting applications even in vehicular areas. Operating temperature: -40°C to 40°C (-40°F to 104°F).

MICRO-DUNE MK2 W is an IP67 ultra compact recessed uplighter whose die cast aluminium case fitted with stainless steel flange hosts 3 high brightness Cold White, Natural White or Warm White power LEDs. Dimensions: Ø 150/136 mm x 105/100 mm depth. Power supply: 100±277V / 50-60Hz. Power consumption: 6.9W per unit. An Electrical Class I appliance, it features an in-built power supply. A 3000 Kg deadweight load capacity makes it suitable for ground mounting applications even in vehicular areas. Operating temperature: -20°C to 40°C (-4°F to 104°F).

DIGITAL CONTROL SYSTEM SPECIFICATIONS AND CONFIGURATIONS AVAILABLE ON OUR WEBSITE





ЗА ТРУДОВОМУ ПОДВИГУ



# MICRO-DUNE XQ

RECESSED APPLICATIONS

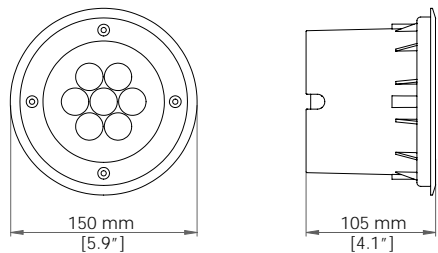
**MICRO-DUNE XQ** is a super compact in-ground uplighter fitted with seven highly performing white LEDs coupled with ultra spot lenses for an extremely narrow light beam. Its extraordinary luminous efficacy allows to enhance architectural details, such as columns or vertical shafts of large dimensions, with flawless wall grazing effects. **MICRO-DUNE XQ** is available in cold, natural and warm white light versions, as well as in monochrome releases on request, to meet any design specification. Featuring an IP67 weather protection rating and a 3000 kg deadweight load capacity, **MICRO-DUNE XQ** is suitable for ground mounting applications even in vehicular areas.



M I C R O - D U N E X Q

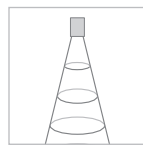
# MICRO-DUNE XQ

GRIVEND 



## BEAM ANGLE REFERENCE

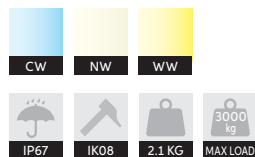
ULTRA SPOT 4.2°



MAX OUTPUT  
1147 lm  
(US CW configuration)

PHOTOMETRIC DETAILS AVAILABLE ON OUR WEBSITE

## FEATURES AND OPTIONS



## ACCESSORIES



**AL8261** ANTIGLARE  
(only for monochrome versions)

## CODES

AL5219 MICRO-DUNE XQ

## OPTICS

US Ultra spot

## LED TYPE

CW Cold White 6500K  
NW Natural White 4000K  
WW Warm White 3000K

## TECHNICAL SPECIFICATIONS

MICRO-DUNE XQ is an IP67 ultra compact recessed uplighter, whose die cast aluminium body fitted with stainless steel flange hosts 7 high brightness Cold White, Natural White or Warm White power LEDs. Monochrome LEDs on request. Dimensions: Ø 150/136 mm x 105/100 mm depth. Power supply: 100÷277V / 50-60Hz. Power consumption: 0.06A @ 230VAC / 13.4W per unit. An Electrical Class I appliance, it features an in-built power supply. A 3000 Kg deadweight load capacity makes it suitable for ground mounting applications even in vehicular areas. Operating temperature: -20°C to 40°C (-4°F to 104°F).



МГУ ПОКОЛЕННИЙ



MID BANK

OPEN 7 DAYS

GREGGS

D

# ATHOMO

RECESSED APPLICATIONS

**ATHOMO** is a recessed walk-on LED uplighter for exterior and interior use delivering a distinctive light output for directive application or decorative lighting patterns creation. Available in IP67 and IP68 versions featuring stainless steel flange and scratch-resistant glass, this discreetly essential solution enhances durable dynamic interaction with the surrounding architectural environment and functional orientation signalling.

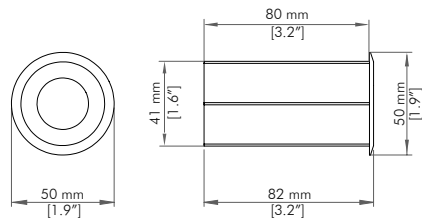


ATHOMO

GRIVEND

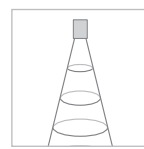
# ATHOMO

GRIVEND 



## BEAM ANGLE REFERENCE

RGB		WHITE	
MEDIUM	21°	NARROW	7°
WIDE	48°	MEDIUM	15°
		WIDE	33°



PHOTOMETRIC DETAILS AVAILABLE ON OUR WEBSITE

## FEATURES AND OPTIONS



## ACCESSORIES

### FOR RGB VERSIONS



**AL2882** IP20 RGB DMX  
POWER SUPPLY  
SIZE 225x60x36mm - 36W

### FOR WHITE LIGHT VERSIONS



**AL2703** IP20 CONSTANT CURRENT  
POWER SUPPLY - SIZE 180x32x32mm - 24W



**AL2705** IP20 CONSTANT CURRENT  
POWER SUPPLY - SIZE 74x35x21mm - 6W



**AL2704** IP20 CONSTANT CURRENT  
POWER SUPPLY - SIZE 165x40x25mm - 20W

## CODES

AL2942 ATHOMO RGB (IP67)

AL2946 ATHOMO RGB (IP68)

## OPTICS LED TYPE

ME Medium RG RGB  
WI Wide

AL2940 ATHOMO W (IP67)

AL2944 ATHOMO W (IP68)

## OPTICS LED TYPE

NA Narrow CW Cold White 6500K  
ME Medium NW Natural White 4000K  
WI Wide WW Warm White 3000K

## TECHNICAL SPECIFICATIONS

ATHOMO is a recessed walk-on LED uplighter, whose aluminium case and AISI 316L stainless steel flange (IP67) or AISI 316L stainless steel case and flange (IP68 -1m) hosts 1 high brightness RGB multichip, Cold White, Natural White, Warm White or, on request, monochrome power LEDs. Dimensions: 50/41 mm x 82/80 mm depth. RGB: 350mA / 3.6W. Separate 350mA DMX power supply powering up to 8 units 36W 100÷277V (AL2882). WHITE LIGHT: 500mA / 1.7W. Separate 500mA constant current power supply (2÷3 units) 6W 100÷277V (AL2705). Separate 500mA constant current power supply (4÷11 units) 20W 220÷240VAC (AL2704). Separate 500mA constant current power supply (4÷14 units) 24W 220÷240VAC dimmable 0÷10V or by button (AL2703). Electrical Class III. Operating temperature: -20°C to 40°C (-4°F to 104°F).

DIGITAL CONTROL SYSTEM SPECIFICATIONS AND CONFIGURATIONS AVAILABLE ON OUR WEBSITE









# MULTIMEDIA PIXEL LIGHTING

Engineered for multimedia pixel applications, these RGBW, RGB, white light or, on request, monochrome fixtures offer a broad choice of versatile solutions for the creation of dynamic, life inspirational visual concepts. A comprehensive range of fully weatherised single spot units and modular linear profiles feature self-addressing assignment and instant, independent control over each pixel. Such technologically advanced products, with terrific application flexibility for both surface mount and recessed use, can screen low-resolution video files or graphic patterns, utterly transforming architectural spaces and, when combined with other media, generating a brand new interactive entertainment.



# GRAPH-i-CELL

MULTIMEDIA PIXEL LIGHTING

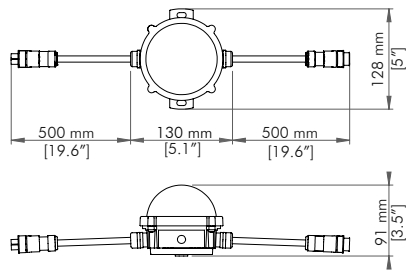
Fitted with a dome shaped opaline diffuser for a sharp image rendition and an optimal peripheral visibility, this high brightness single pixel fixture can be easily assembled with other units of its kind to screen low-resolution video files and graphic patterns. **GRAPH-i-CELL** can be integrated with the existing architecture while shaping a brand new outstanding ambience.



GRAPH-I-CELL

# GRAPH-i-CELL

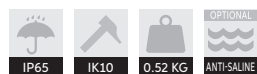
GRIVEN 



PHOTOMETRIC DETAILS AVAILABLE ON OUR WEBSITE

## FEATURES AND OPTIONS

### GRAPH-i-CELL 3



### GRAPH-i-CELL 4



## ACCESSORIES



**AL8250**  
IP67 START LINE BOX



**AL8251**  
IP67 REPOWER BOX



**AL5168**  
LINE END CAP



**AL8253** 1 m CONNECTION CABLE  
**AL8254** 2 m CONNECTION CABLE  
**AL8255** 3 m CONNECTION CABLE  
**AL8256** 5 m CONNECTION CABLE  
**AL8269** 10 m CONNECTION CABLE



**AL8271**  
IP67 ELECTRONIC DRIVER



**AL8270**  
DMX JUNCTION BOX

## CODES

### AL4505 GRAPH-i-CELL 3

OPTICS	LED TYPE	FINISH
DO Opaline dome	RG RGB	W White RAL 9003
	CW Cold White 6500K	G GRIVEN Grey
	NW Natural White 4000K	A Anthracite RAL 7016
	WW Warm White 3000K	B Black RAL 9005

### AL4506 GRAPH-i-CELL 4

OPTICS	LED TYPE	FINISH
DO Opaline dome	RN RGB+W 4000K	W White RAL 9003
	DW From 2700K to 6500K	G GRIVEN Grey
		A Anthracite RAL 7016
		B Black RAL 9005

## TECHNICAL SPECIFICATIONS

GRAPH-i-CELL 3 is an IP65 high brightness single pixel fixture, whose aluminium and opaline polymer body hosts either 6 RGB, Cold White, Natural White, Warm White or, on request, monochrome power LEDs. GRAPH-i-CELL 4 is an IP65 high brightness single pixel fixture, whose aluminium and opaline polymer body hosts either 4 RGBW or Dynamic White power LEDs. Dimensions: 130 mm x 128 mm x 91 mm. Available in DMX remote control mode, it also features RFU (Remote firmware update) function. Self-addressing feature for digital data assignment with signal regeneration. 20 modules per line maximum. Luminance: 11200 cd/m<sup>2</sup>. Pixel pitch: 130 mm (minimum). Resolution: 49 pixel/m<sup>2</sup> (maximum). Separate IP65 electronic driver box (AL4405/02 for max. 20 units) 100÷277V / 50-60 Hz. LED module 48V DC. Power consumption: 13W maximum (1 module full RGB/RGBW). Electrical class: III. Operating temperature: -30°C to 40°C (-22°F to 104°F).

DIGITAL CONTROL SYSTEM SPECIFICATIONS AND CONFIGURATIONS AVAILABLE ON OUR WEBSITE



VIETNAM | Nguyen Van Linh Intersection Bridge, Hai Phong



# GRAPH-i-DOT

MULTIMEDIA PIXEL LIGHTING

**GRAPH-i-DOT** is a highly performing compact module fitted with six multichip LEDs for ultra-luminous display of low-resolution video files and graphic patterns for an endless creation of dynamic visual concepts. Featuring pixel pitch adjustment and outdoor rated configuration, even for underwater applications in its flat lens version, **GRAPH-i-DOT** is also available with alternative opaline dome to enable maximum installation adaptability and design flexibility.

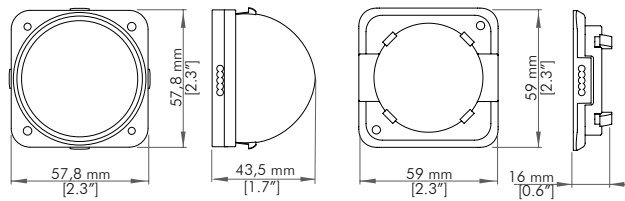


GRAPH-I-DOT

GRIVEND 

# GRAPH-i-DOT

GRIVEND 



## CODES

AL4700 GRAPH-i-DOT

## OPTICS

FL Flat clear diffuser  
DO Opaline dome

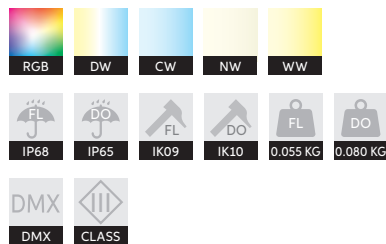
## LED TYPE

RG RGB  
DW From 2700K to 6500K  
CW Cold White 6500K  
NW Natural White 4000K  
WW Warm White 3000K

## NOTES

GRAPH-i-DOT must always be purchased with AL4707 Address setting DMX driver to set the DMX address.  
More GRAPH-i-DOT units can be addressed with one AL4707.

## FEATURES AND OPTIONS



## ACCESSORIES



**AL4702**  
ELECTRONIC DRIVER



**AL4706**  
TERMINATOR



**AL8211**  
MULTI-JOINT



**AL8208** START LINE  
**AL8209** REPOWER T-JOINT



**AL4707** ADDRESS  
SETTING DMX DRIVER



**AL4708**  
ROPE FIXING PLATE



**AL8210**  
SINGLE JOINT

## TECHNICAL SPECIFICATIONS

GRAPH-i-DOT is an ultra compact single pixel fixture module (IP68 FL version, IP65 DO version), whose transparent plastic body hosts 6 mid-power RGB, Cold White, Natural White, Warm White or, on request, monochrome power LEDs. Available with flat clear diffuser or opaline dome. Dimensions: 59 mm x 16 mm x 59 mm, 57.8 mm x 43.5 mm x 57.8 mm (with dome). Available in DMX remote control mode. GRAPH-i-DOT must always be purchased with AL4707 Address setting DMX driver to set the DMX address. More GRAPH-i-DOT units can be addressed with one AL4707. IP65 separate electronic driver. Power supply: Electronic driver 100÷277V / 50-60Hz LED module 24V DC. Power consumption: 1.44 W (max intensity). Electrical class: III. Operating temperature: -40°C to 50°C (-40°F to 122°F).

DIGITAL CONTROL SYSTEM SPECIFICATIONS AND CONFIGURATIONS AVAILABLE ON OUR WEBSITE





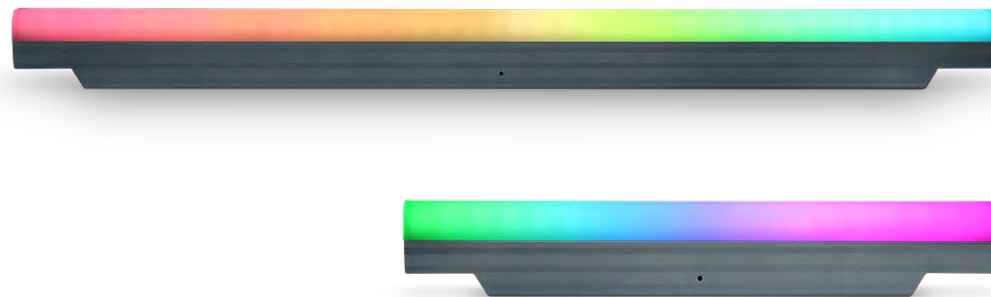
VIETNAM\_Hoang Van Thu-Bridge, Hai Phong



# GRAPH-i-LINE

MULTIMEDIA PIXEL LIGHTING

**GRAPH-i-LINE 20 and 40** enable an endless layout of patterns and graphics for a rich and dynamic vibrant display. The variable adjustment of the pixel pitch resolution, enhanced by a choice of either a clear or an opaline diffuser for a peripheral or direct view selection, offers boundless design creativity. IK10 impact protection, IP66 ingress protection, RGBW, RGB, white, and, on request, monochrome configuration guarantee supreme design versatility.

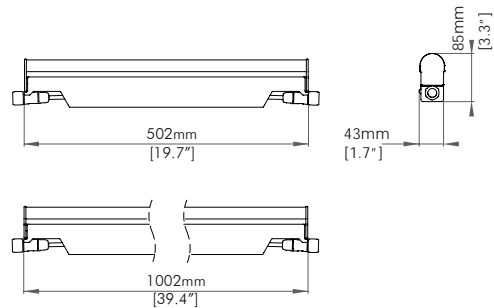


GRAPH-I-LINE

GRIVEND 

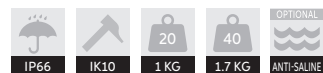
# GRAPH-i-LINE

GRIVEND 



PHOTOMETRIC DETAILS AVAILABLE ON OUR WEBSITE

## FEATURES AND OPTIONS



## ACCESSORIES



**AL8250**  
IP67 START LINE BOX



**AL8251**  
IP67 REPOWER BOX



**AL5168**  
LINE END CAP



**AL8253** 1 m CONNECTION CABLE  
**AL8254** 2 m CONNECTION CABLE  
**AL8255** 3 m CONNECTION CABLE  
**AL8256** 5 m CONNECTION CABLE  
**AL8269** 10 m CONNECTION CABLE



**AL8271**  
IP67 ELECTRONIC DRIVER



**AL8270**  
DMX JUNCTION BOX

## CODES

AL5048 GRAPH-i-LINE 20

AL5049 GRAPH-i-LINE 40

## OPTICS

DO Opaline diffuser  
DC Clear diffuser

## LED TYPE

RN RGB+W 4000K  
RG RGB  
CW Cold White 6500K  
NW Natural White 4000K  
WW Warm White 3000K

## FINISH

W White RAL 9003  
G GRIVEN Grey  
A Anthracite RAL 7016  
B Black RAL 9005

## TECHNICAL SPECIFICATIONS

GRAPH-i-LINE is an IP66 high impact multi pixel led bar, whose polycarbonate body fitted with a PC opaline or transparent tube with UV protection hosts 20 or 40 high brightness, independent, RGBW, RGB, Cold White, Natural White, Warm White, and, on request, monochrome LEDs. Dimensions: 502/1002 mm x 45 mm x 85 mm. Available in DMX remote control mode, it features Remote firmware update (RFU). Self-addressing feature for digital data assignment with signal regeneration. Pixel pitch: 25x40 mm (minimum). Resolution: 1600 pixel / m2 (maximum). Power supply: 48Vdc. Power consumption: 18W/m. Power chain max: 32 Graph-i-Line 20 with 320W power supply (AL4405 02). 16 Graph-i-Line 40 with 320W power supply (AL4405 02). Electrical class: III. Operating temperature: -40°C to 50°C (-40°F to 122°F).

DIGITAL CONTROL SYSTEM SPECIFICATIONS AND CONFIGURATIONS AVAILABLE ON OUR WEBSITE



VIETNAM\_Bach Lam Bridge, Yen Bai



# GRAPH-i-PIX

MULTIMEDIA PIXEL LIGHTING

Featuring an independent 8-pixel configuration, **GRAPH-i-PIX** is capable of reproducing almost any graphic visual concept on large scale façades, where more modules can comfortably be set up for a uniform visual pattern layout. Striking direct-view advanced lighting solutions, coupled with the ultra-slim profile and the high-end ingress protection rating, **GRAPH-i-PIX** stands out for its functionality to blend with the existing architectural environment and meet the most challenging project prerequisites. By incorporating extraordinary pixel mapping features, with **GRAPH-i-PIX** designers will sculpt 3D elements and abstract imagery without creative limitations and solid artistic impact.

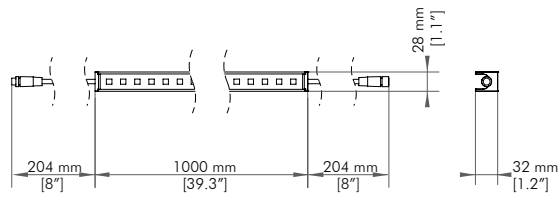


GRAPH-I-PIX

GRIVEND 

# GRAPH-i-PIX

GRIVEND 



PHOTOMETRIC DETAILS AVAILABLE ON OUR WEBSITE

## CODES

AL5220 GRAPH-i-PIX

## OPTICS

GO Opaline glass  
GC Clear glass

## LED TYPE

RG RGB

## NOTES

GRAPH-i-PIX must always be purchased with AL5250 Address setting DMX driver to set the DMX address. More GRAPH-i-PIX units can be addressed with one AL5250.

## FEATURES AND OPTIONS



RGB



IP66



IK08



0.68 KG



DMX



RFU



CLASS



## ACCESSORIES



**AL5229 C** IP67 START LINE BOX  
(with cables and connectors)



**AL5226**  
T-JUNCTION



**AL5250**  
ADDRESS SETTING  
DMX DRIVER



**AL5221** 1 m CONNECTION CABLE  
**AL5227** 3 m CONNECTION CABLE  
**AL5222** 5 m CONNECTION CABLE



**AL8276**  
IP67 ELECTRONIC DRIVER



**AL5229**  
START LINE CABLE



**AL8277**  
SINGLE JOINT



**AL8252**  
LINE END CAP

## TECHNICAL SPECIFICATIONS

GRAPH-i-PIX is an IP66 ultra-slim, multi-pixel, LED linear module, whose aluminium body fitted either with opaline or transparent diffuser hosts 48 RGB LEDs. It features an independent 8-pixel configuration per metre, whereas each pixel is made up of 6 LEDs. Dimensions: 1000 mm x 28 mm x 32 mm. Available in DMX remote control mode. Pixel pitch (6 LEDs): 125 mm (minimum). Resolution: 280 pixels/m<sup>2</sup> (maximum). Luminance: 277778 cd/m<sup>2</sup>. 110° optics distribution. Power supply: 24Vdc. Power consumption: 12W/m. 21 units max. per line. Electrical class: III. Operating temperature: -20°C to 50°C (-4°F to 122°F).

DIGITAL CONTROL SYSTEM SPECIFICATIONS AND CONFIGURATIONS AVAILABLE ON OUR WEBSITE





VIETNAM\_Hoàng Văn Thụ Bridge, Hai Phong



# MOLED GRAPHIC

MULTIMEDIA PIXEL LIGHTING

**MOLED GRAPHIC** is a high impact linear profile for decorative and signalling in-ground use outdoors and indoors. Available either with 20 or 40 independent RGBW, RGB, white, and, on request, monochrome LEDs, **MOLED GRAPHIC** can enable an endless layout of patterns and graphics displays. Featuring extremely compact size, lightweight manageability, **MOLED GRAPHIC** is equipped with 19 mm thick tempered glass and AISI 316L stainless steel housing. This high-build standard housing is further strengthened by a special micro shot-peening treatment to make the light line homogeneous and the surface shock-resistant.

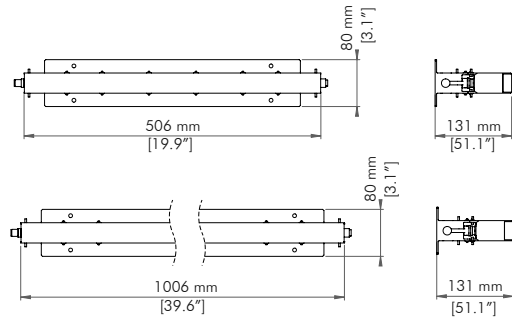


MOLED GRAPHIC

GRIVEND 

# MOLED GRAPHIC

GRIVEND 



## CODES

AL4367 MOLED GRAPHIC 20

AL4368 MOLED GRAPHIC 40

## OPTICS

GO Opaline glass

## LED TYPE

RN RGB+W 4000K

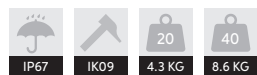
RG RGB

CW Cold White 6500K

NW Natural White 4000K

WW Warm White 3000K

## FEATURES AND OPTIONS



## ACCESSORIES



AL4454 FORMWORK END CAP

## TECHNICAL SPECIFICATIONS

MOLED GRAPHIC is an IP67 high impact LED linear profile for in-ground use outdoors and indoors, whose stainless steel housing and formwork hosts 20 or 40 high brightness independent RGBW, RGB, Cold White, Natural White, Warm White, and, on request, monochrome LEDs. Available in DMX remote control mode, it features Remote firmware update (RFU) and RDM (Remote device management). Self-addressing feature for digital data assignment with signal regeneration. Dimensions: 1000 mm x 28 mm x 32 mm. Power supply: 48V DC. Power consumption: 18W/m. Power chain max: 16 Moled Graphic 20 with 240W power supply (AL4450); 8 Moled Graphic 40 with 240W power supply (AL4450). Electrical class: III. Operating temperature: -40°C to 50°C (-40°F to 122°F).

DIGITAL CONTROL SYSTEM SPECIFICATIONS AND CONFIGURATIONS AVAILABLE ON OUR WEBSITE



Typical product installation



A M A R I C A N  
E T



# IMAGE PROJECTION

This series offers multiple solutions to the most demanding application requirements in the global market of display projection. Company logos, promotional campaigns, graphic designs or decorative patterns can be easily projected, with a bright and accurate rendition, onto surfaces of almost any kind in the most diverse permanent outdoor and indoor locations.

Packed with groundbreaking LED technology, a broad choice of assorted light output capabilities and beam angle apertures, besides multiple effects and patterns, these image projectors offer maximum versatility, flexibility and dynamism to the most creative light planning integration.





# GOBOLED 500

IMAGE PROJECTION

Packed with multiple effects, patterns and a motorized zoom, **GOBOLED 500** offers broad creative design integration for permanent exterior installations. Fitted with one high power LED, this cutting edge image projector delivers a bright and accurate rendition of graphic designs, logos and animations in outdoor and indoor locations.

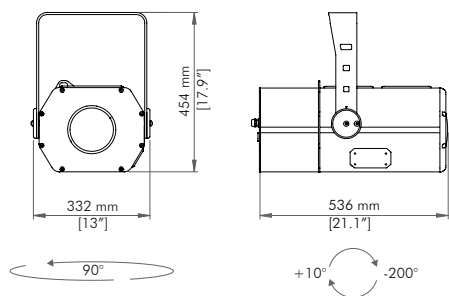


GOBOLED 500

GRIVEN 

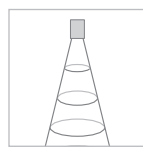
# GOBOLED 500

GRIVEND



## BEAM ANGLE REFERENCE

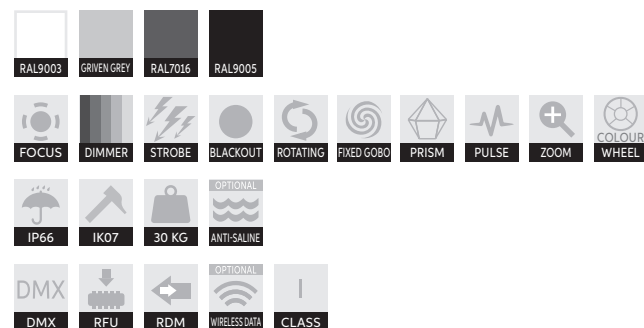
ZOOM 7°-37°



MAX OUTPUT  
7° 9800 lm  
37° 13837 lm

PHOTOMETRIC DETAILS AVAILABLE ON OUR WEBSITE

## FEATURES AND OPTIONS



## ACCESSORIES



AL0250  
SAFETY CABLE

## CODES

AL5170 GOBOLED 500

## FINISH

W White RAL 9003  
G GRIVEN Grey  
A Anthracite RAL 7016  
B Black RAL 9005

## TECHNICAL SPECIFICATIONS

GOBOLED 500 is an IP66 image projector, whose aluminium body, fitted with an adjustable mounting yoke, hosts 1 high brightness 6500K power LED. Dimensions: 332 mm x 536 mm x 454 mm. Available in DMX, automatic and Master-Slave mode, it also features linear 0-100% dimmer, RFU (Remote firmware update), and RDM (Remote device management) functions. Additional features: 14 DMX channels; strobe function (27.7 FPS max); electronic blackout; motorized focus; 7°-37° motorized zoom; 7 interchangeable rotating gobos wheel (ø 27/22 mm); 16 bit indexing; 4 fixed gobos plus animation effect wheel; 8 colours + white wheel; 2 prisms with variable rotation (8 facets and 3D effect); pulse effect. Power supply: standard 100÷277V / 50-60Hz. Power consumption: 1A @ 230V / 450W. An Electrical Class I appliance, it features integrated electronic thermal protection management. Operating temperature: -30°C to 50°C (-22°F to 122°F).

DIGITAL CONTROL SYSTEM SPECIFICATIONS AND CONFIGURATIONS AVAILABLE ON OUR WEBSITE



CHECHEN REPUBLIC, RUSSIA\_The Pride of Muslims, Mosque, Shali



# GOBOLED 80 D

IMAGE PROJECTION

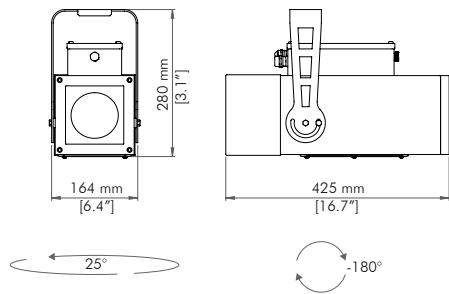
Projecting a bright and accurate rendition of graphic designs, logos and patterns in outdoor and indoor locations with the help of a dichroic or metal gobo, the versatile image projector **GOBOLED 80 D**, fitted with a single powerful LED, provides maximum creativity, dynamism and flexibility for the most demanding design and application requirements.



GOBOLED 80 D

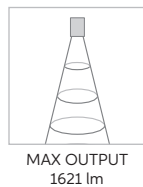
# GOBOLED 80 D

GRIVEND 



## BEAM ANGLE REFERENCE

PROJECTION ANGLE 20° ÷ 32°



PHOTOMETRIC DETAILS AVAILABLE ON OUR WEBSITE

## FEATURES AND OPTIONS



## ACCESSORIES



AL0250  
SAFETY CABLE

## CODES

AL2502 GOBOLED 80 D

## FINISH

- W White RAL 9003
- G GRIVEN Grey
- A Anthracite RAL 7016
- B Black RAL 9005

## TECHNICAL SPECIFICATIONS

GOBOLED 80 D is an IP65 image projector, whose aluminium body, fitted with an adjustable mounting yoke, hosts 1 high brightness 6500K power LED. Dimensions: 164 mm x 425 mm x 280 mm. Features: DMX, automatic and Master-Slave mode; manual adjustment of focus and linear zoom (20°÷32°); linear 0-100% dimmer function; strobe function (25 FPS max); electronic blackout; one rotating gobo slot hosts either metal or glass gobos (ø ext. 53.3 - ø int. 40 mm); one dichroic filter can also be used in combination with a metal gobo. Power supply: 100÷277V / 50-60Hz. Power consumption: 100W max. Electrical Class I. Operating temperature: -20°C to 40°C (-4°F to 104°F).

DIGITAL CONTROL SYSTEM SPECIFICATIONS AND CONFIGURATIONS AVAILABLE ON OUR WEBSITE









# WATER FEATURES LIGHTING

Specifically designed for water features use, these avant-garde LED light fittings perfectly fulfill the latest market demand with capturing performances. With Full Dry IP68 rating and AISI 316L stainless steel housings, these submerged fixtures are the ideal choice for trustworthy and durable installation in fountains, waterfalls, reflecting pools and for many other underwater applications, even in chlorine water and marine environment. Available in colour changing, white and, on request, monochromatic LEDs configurations, these products combine extraordinary luminous efficiency with a vast optics selection for the most versatile design solutions, assured also by the different wattage, compactness and weight featured by the various models.



# MAXI WATERLED

WATER FEATURES LIGHTING

Providing an astonishingly performing light output, **MAXI WATERLED** is capable of enhancing wide scale underwater applications. With its AISI 316L stainless steel housing, it relies upon an IP68 protection rating and is the ideal choice for a huge variety of submerged installations even in chlorine water and marine environment. The new combination of premium class RGBW LEDs, featuring 4000K natural white, delivers the widest range of warm white shades and pastel tones assortment.

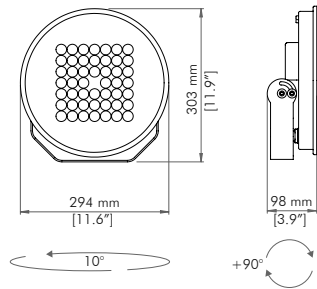


MAXI WATERLED

GRIVEN

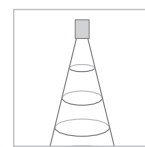
# MAXI WATERLED

GRIVEND 



## BEAM ANGLE REFERENCE

RGBW		WHITE LIGHT	
SPOT	7°	SPOT	12°
NARROW	11°	NARROW	15°
MEDIUM	20°	MEDIUM	25°
WIDE	44°	WIDE	47°
EXTRA WIDE	68°	EXTRA WIDE	61°
ELLIPTICAL	10°x40°	ELLIPTICAL	14°x39°
ELLIPTICAL WIDE	21°x42°	ELLIPTICAL WIDE	23°x37°



PHOTOMETRIC DETAILS AVAILABLE ON OUR WEBSITE

## FEATURES AND OPTIONS



## ACCESSORIES



**AL3981** IP65 TRANSFORMER AND ADDRESSING BOX FOR RGBW MODELS (4 units max) (320x280x153 mm)  
**AL3983** IP65 TRANSFORMER BOX FOR W MODELS (4 units max) (320x280x153 mm)



**AL3984** IP20 TRANSFORMER AND ADDRESSING BOX FOR RGBW MODELS (4 units max) (304 x 243 x 94 mm)  
**AL3986** IP20 TRANSFORMER AND ADDRESSING BOX FOR W MODELS (4 units max) (304 x 243 x 94 mm)

## CODES

AL5245 MAXI WATERLED

## OPTICS

SP Spot  
 NA Narrow  
 ME Medium  
 WI Wide  
 EW Extra wide  
 EL Elliptical  
 WL Elliptical wide

## LED TYPE

RN RGB+W 4000K  
 CW Cold White 6500K  
 NW Natural White 4000K  
 WW Warm White 3000K

## TECHNICAL SPECIFICATIONS

MAXI WATERLED is an IP68 submerged use luminaire, whose AISI 316L stainless steel body hosts 48 high brightness RGBW, Cold White, Natural White, Warm White or, on request, monochrome power LEDs. Dimensions: Ø 294 mm x 98 mm x 303 mm. Available in DMX, automatic and Master/Slave mode, it also features RFU (Remote firmware update) function. Power supply: IP20 separate transformer 100÷277V / 50-60Hz, powering up to 4 units. IP65 separate transformer 100÷277V / 50-60Hz, powering up to 4 units. Main unit: 12V. Power consumption: 156W max (1 unit) at full intensity. Electrical Class III. It is supplied with 10m power supply and digital data cable, while different cable lengths are available on request. Operating temperature: -20°C to 35°C (-4°F to 95°F).

DIGITAL CONTROL SYSTEM SPECIFICATIONS AND CONFIGURATIONS AVAILABLE ON OUR WEBSITE





# WATERLED MK2

WATER FEATURES LIGHTING

To be used in large to medium sized water features, **WATERLED MK2**, with its AISI 316L stainless steel housing, relies upon an IP68 protection rating and is the ideal choice for a huge variety of lighting installations even in chlorine water and marine environment. The extraordinary luminous efficiency of this fixture does not compromise environmentally friendly consumption rates.

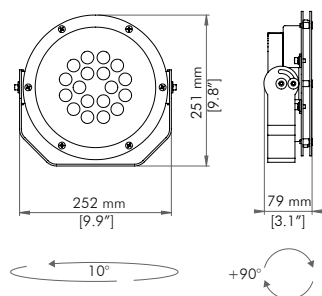


WATERLED MK2

GRIVEN 

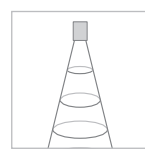
# WATERLED MK2

GRIVEND 



## BEAM ANGLE REFERENCE

RGB		WHITE LIGHT	
SPOT	6°	SPOT	12°
NARROW	11°	NARROW	15°
MEDIUM	19°	MEDIUM	25°
WIDE	44°	WIDE	47°
ELLIPTICAL	11°x40°	ELLIPTICAL	20°x42°



MAX OUTPUT  
5461 lm  
(SP CW configuration)

PHOTOMETRIC DETAILS AVAILABLE ON OUR WEBSITE

## FEATURES AND OPTIONS



## ACCESSORIES



**AL3350** IP65 TRANSFORMER BOX FOR RGB MODELS  
(4 units max) (303 x 260 x 102 mm)  
**AL3359** IP65 TRANSFORMER FOR W MODELS  
(4 units max) (303 x 260 x 102 mm)



**AL3368** IP20 TRANSFORMER AND ADDRESSING  
BOX FOR RGB MODELS (4 units max)  
**AL3369** IP20 TRANSFORMER AND ADDRESSING  
BOX FOR W MODELS (4 units max)

## CODES

AL5246 WATERLED MK2

## OPTICS

SP Spot  
NA Narrow  
ME Medium  
WI Wide  
EL Elliptical

## LED TYPE

RG RGB  
CW Cold White 6500K  
NW Natural White 4000K  
WW Warm White 3000K

## TECHNICAL SPECIFICATIONS

WATERLED MK2 is an IP68 submerged use luminaire, whose AISI 316L stainless steel body, featuring an anodized aluminium heat dissipation element, hosts 18 high brightness RGB, Cold White, Natural White, Warm White or, on request, monochrome power LEDs. Dimensions: Ø 252 mm x 79 mm x 251 mm. Available in DMX, automatic and Master/Slave mode, it also features RFU (Remote firmware update) function. Power supply: separate transformer 100÷277V / 50-60Hz, powering up to 4 units. Main unit: 12V. Power consumption: 52W max (1 unit) at full intensity. Electrical Class III. It is supplied with 10m power supply and digital data cable, while different cable lengths are available on request. Operating temperature: -20°C to 35°C (-4°F to 95°F).

DIGITAL CONTROL SYSTEM SPECIFICATIONS AND CONFIGURATIONS AVAILABLE ON OUR WEBSITE







# MINI WATERLED

WATER FEATURES LIGHTING

Small-size fountains and waterfalls, as well as reflecting pools, are the ideal applications for the compact marine-grade **MINI WATERLED**, whose heavy-duty AISI 316L stainless steel body hosts nine high power LEDs. The superior lumens life assisted by the on-board electronic thermal management exceeds the industry standards lifetime and the certified IP68 Class III rating defines the virtually maintenance free performance.

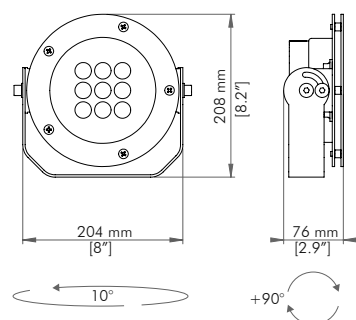


MINI WATERLED

GRIVEND 

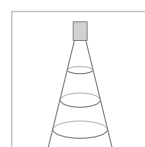
# MINI WATERLED

GRIVEND 



## BEAM ANGLE REFERENCE

RGB		WHITE LIGHT	
SPOT	7°	SPOT	12°
NARROW	11°	NARROW	15°
MEDIUM	21°	MEDIUM	25°
WIDE	44°	WIDE	47°
EXTRA WIDE	68°	EXTRA WIDE	61°
ELLIPTICAL	10°x40°	ELLIPTICAL	14°x39°
ELLIPTICAL WIDE	21°x42°	ELLIPTICAL WIDE	22°x37°



MAX OUTPUT  
1890 lm  
(SP CW configuration)

PHOTOMETRIC DETAILS AVAILABLE ON OUR WEBSITE

## FEATURES AND OPTIONS



## ACCESSORIES



**AL2428** IP65 TRANSFORMER BOX FOR RGB MODELS  
(6 units max) (303x249x98 mm)



**AL2449** IP65 TRANSFORMER BOX FOR W MODELS  
(6 units max) (303x243x98 mm)

## CODES

AL5247 MINI WATERLED

## OPTICS

SP Spot  
NA Narrow  
ME Medium  
WI Wide  
EW Extra wide  
EL Elliptical  
WL Elliptical wide

## LED TYPE

RG RGB  
CW Cold White 6500K  
NW Natural White 4000K  
WW Warm White 3000K

## TECHNICAL SPECIFICATIONS

MINI WATERLED is an IP68 compact submerged use luminaire, whose AISI 316L stainless steel body, featuring an anodized aluminium heat dissipation element, hosts 9 high brightness RGB, Cold White, Natural White, Warm White or, on request, monochrome power LEDs. Dimensions: Ø 204 mm x 76 mm x 208 mm. Available in DMX, automatic and Master/Slave mode, it also features RFU (Remote firmware update) function. Power supply: separate transformer 100÷277V / 50-60Hz, powering up to 6 units. Main unit: 12V. Power consumption: 18W max (1 unit) at full intensity. Electrical Class III. It is supplied with 10m power supply and digital data cable, while different cable lengths are available on request. Operating temperature: -20°C to 35°C (-4°F to 95°F).

DIGITAL CONTROL SYSTEM SPECIFICATIONS AND CONFIGURATIONS AVAILABLE ON OUR WEBSITE





# ACCENT LIGHTING

These versatile luminaires are capable of enhancing with brilliant light and distinctive outcome the most different features of modern or antique architectural elements creating truly dramatic accent lighting effects. Colour changing or white light graphic shapers highlight inner frames or outer edges of windows, balconies or repeating architectural elements creating boundless accent lighting solutions.

Colour changing or white light wall mount diffusers deliver eye-catching accent and wall grazing effects with appealing decorative as well as functional performances.





# EKLIPSE

ACCENT LIGHTING

Designed for specific applications on windowsills, **EKLIPSE** is an LED graphic light shaper, which highlights inner frames or outer edges of windows, balconies or repeating architectural elements, while designing appealing optical effects on buildings façades and creating boundless accent lighting solutions.

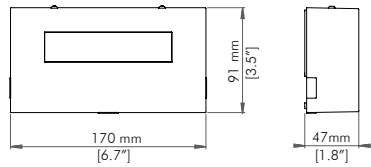


EKLIPSE

GRIVEND 

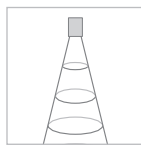
# EKLIPSE

GRIVEND 



## BEAM ANGLE REFERENCE

ELLIPTICAL 13°x127°  
ELLIPTICAL WIDE 21°x50°



MAX OUTPUT  
472 lm  
(EL CW configuration)

PHOTOMETRIC DETAILS AVAILABLE ON OUR WEBSITE

## FEATURES AND OPTIONS



## ACCESSORIES



**AL4421**  
ANTI-GLARE SHIELD



**AL4405 01**  
ELECTRONIC DRIVER (with cables)



**AL4424 01**  
START LINE BOX (with cables)



**AL4425 01**  
REPOWER BOX (with cables)

## CODES

AL4373 EKLIPSE

OPTICS	LED TYPE	FINISH	OPTION
EL Elliptical	RN RGB+W 4000K	W White RAL 9003	S Self-addressing
WL Elliptical wide	DW From 2700K to 6500K	G GRIVEN Grey	R RDM
	CW Cold White 6500K	A Anthracite RAL 7016	
	NW Natural White 4000K	B Black RAL 9005	
	WW Warm White 3000K		

## TECHNICAL SPECIFICATIONS

EKLIPSE is an IP66 ultra compact LED graphic light shaper, whose aluminium body hosts 4 high brightness RGBW, Dynamic White, Cold White, Natural White, Warm White or, on request, monochrome power LEDs. Dimensions: 170 mm x 47 mm x 91 mm. Available in DMX mode, it also features RDM (Remote device management) and RFU (Remote firmware update) functions, whereas the RDM function is not available when on self-addressing mode. Power supply: 48Vdc. Power consumption: 0.2A @ 230V / 10W max. Separate electronic driver powering up to 24 units (standard configuration). Electrical Class III. Operating temperature: -40°C to 50°C (-40°F to 122°F).

DIGITAL CONTROL SYSTEM SPECIFICATIONS AND CONFIGURATIONS AVAILABLE ON OUR WEBSITE





# ORPHEOS

ACCENT LIGHTING

**ORPHEOS** is a wall-mount diffuser whose single or double vertical light shaft provides elegant accent or wall grazing effects. Digitally controlled RGBW, white or, on request, monochrome LEDs configurations, combined with different optics choices, give maximum chromatic adaptability. The double light shaft version can feature independent LED and optics configurations combined with fully autonomous control of each LED cluster, enhancing absolute design flexibility. The integrated electronic driver guarantees comfortable set-up.

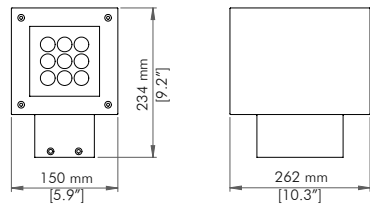


ORPHEOS

GRIVEND 

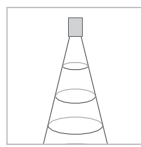
# ORPHEO S

GRIVEND 



## BEAM ANGLE REFERENCE

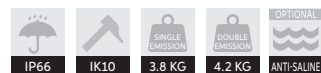
SPOT	7°
NARROW	12°
MEDIUM	21°
WIDE	43°



MAX OUTPUT  
1300 lm  
(SP CW configuration  
/Single Emission)

PHOTOMETRIC DETAILS AVAILABLE ON OUR WEBSITE

## FEATURES AND OPTIONS



## ACCESSORIES



AL2660  
WEEZERD 1

## CODES

AL4860 ORPHEO S SINGLE EMISSION

AL4862 ORPHEO S DOUBLE EMISSION

OPTICS	LED TYPE	FINISH
SP Spot	RN RGB+W 4000K	W White RAL 9003
NA Narrow	DW From 2700K to 6500K	G GRIVEN Grey
ME Medium	CW Cold White 6500K	A Anthracite RAL 7016
WI Wide	NW Natural White 4000K	B Black RAL 9005
	WW Warm White 3000K	

## NOTES

Unless an RDM control is used, ORPHEO S must always be purchased with one AL2660 WeeZerd 1 to set its DMX address

## TECHNICAL SPECIFICATIONS

ORPHEO S is an IP66 wall mount diffuser, whose extruded and die-cast aluminium body hosts 12 or 24 high brightness RGBW, Dynamic White, Cold White, Natural White, Warm White or, on request, monochrome power LEDs. Dimensions: 150 mm x 262 mm x 234 mm. Available in DMX mode, it also features RFU (Remote firmware update) and RDM (Remote device management) functions. Unless an RDM control is used, ORPHEO S must always be purchased with one AL2660 WeeZerd 1 to set its DMX address. Power supply: 100÷277V / 50-60Hz. Power consumption: Single emission: 0.17A @ 230V / 18W max, Double emission: 0.33A @ 230V / 36W max. An Electrical Class I appliance, it also features self-resetting fuse protection. Operating temperature: -30°C to 50°C (-22°F to 122°F).

DIGITAL CONTROL SYSTEM SPECIFICATIONS AND CONFIGURATIONS AVAILABLE ON OUR WEBSITE







# APPENDIX



# PROTECTION DEGREE

Definition of Ingress Protection (in accordance with the European regulation standard EN 60 598-1)

## IP20

The classification of the protection degree specifies the resistance against the ingress of solids and liquids.

## IP20

The first digit indicates the protection against penetration by dust and solid objects.

## IP20

The second digit indicates the protection against infiltration by moisture and liquids.

## IP20

- 0 No protection
- 1 Protected against ingress from large solid bodies  $\geq 50$  mm in  $\varnothing$
- 2 Protected against ingress of medium sized solid foreign bodies  $\geq 12$  mm in  $\varnothing$
- 3 Protected against ingress of small solid foreign bodies thicker than  $\geq 2.5$  mm in  $\varnothing$
- 4 Protected against ingress of small solid foreign bodies thicker than  $\geq 1$  mm in  $\varnothing$
- 5 Protected against ingress of harmful amounts of dust
- 6 Complete protection against dust

## IP20

- 0 No protection
- 1 Protected against drops of liquid that fall vertically
- 2 Protected against drops of liquid that fall with a maximum inclination of  $15^\circ$
- 3 Protected against drops of liquid that fall with a maximum inclination of  $60^\circ$
- 4 Protected against water sprays from any direction having no harmful effect
- 5 Protected against water jets from any direction
- 6 Protected against heavy downpours or powerful water jets
- 7 Protected against the effects of immersion in water
- 8 Protected against indefinite submersion



# COLOUR RENDERING INDEX (CRI)

The colour rendering index (CRI) is a quantitative measure of the ability of a light source to reproduce the colours of various objects faithfully in comparison with an ideal or natural light source.

6300K Cold White - typical CRI: 70  
3000K Warm White - typical CRI: 80

LEDs featuring a higher index (CRI>80, CRI>85 and CRI90) are available on request.

## CLASSIFICATION AND HOMOLOGATION

### Class I

Fixtures that offer insulation class I provide protection against electrical shock solely using the base insulation and the safe connection of all exposed conductive parts to an earth conductor.

### Class II



Fixtures in which protection against electrical shock does not rely on basic insulation only, but in which additional safety precautions such as double insulation or reinforced insulation are provided, being there no provision for protective earthing or reliance upon installation conditions.

### Class III



Fixtures in which protection against electrical shock relies on supply at Safety Extra Low Voltage (SELV) and in which voltages higher than those of SELV are not generated.



The CE mark is the European regulation governing all products that are introduced to the market. The products that appear in this catalogue are built in compliance with the European Standard EN 60 598-1 and the European Directives CE 89/336 and CE 92/31 for electromagnetic compatibility and CE 73/23 for low voltage.

**RoHS**

All the products contained in this catalogue comply with the directive on the restriction of the use of certain hazardous substances in electrical and electronic equipment 2002/95/EC, commonly referred to as the Restriction of Hazardous Substances directive (RoHS), and with the Waste Electrical and Electronic Equipment directive (WEEE) 2002/96/EC, which sets collection, recycling and recovery targets for electrical goods.



This marking means that the product is certified by CSA International, for both the U.S. and Canadian markets, to the applicable U.S. and Canadian standards.



# PHOTOMETRIC DATA CALCULATION

## LIGHTING DESIGN TABLES AND GRAPHICS

Lighting appliances are characterized for lighting engineering purposes by a series of tables and graphics that describe their characteristics from the point of view of their luminous emission.

## INTERNATIONAL CLASSIFICATIONS

The classifications represent different ways of classifying luminaires according to their luminous emission.

The table shows 4 different classifications:

- CIE (Recommendation n.52)
- DIN 5040 (German Norm) (example A60)
- UTE C 71-121 (French Norm) (example 0.65A + 0.00T)
- NBN L 14-002 (Belgian Norm – method BZ) (example BZ2)

## PHOTOMETRIC TABLE

The photometric table shows the values of luminous intensity in cd/klm measured around the luminaire. The luminaire is located at the centre of a sphere of a suitable diameter. Generally the luminous intensities are calculated with the inverse square distance formula at defined angular distances, which are not normally constant. Take a luminaire, for example with a fluorescent lamp, with downward dark light emission (there is no lateral emission), we can define the luminous area as the area from which the light emits and the luminous axis. The axis is obviously vertical, perpendicular to that area which passes through the meeting point (luminous centre) of the diagonals of the luminous area.

At this point, placing the photoelectric cell of an illuminance meter on the luminous axis at a given distance from the luminaire we can determine the first value corresponding to  $\Gamma = 0^\circ$ . Now take a half-plane coming from the luminous axis and directed transversally towards the luminaire lamps; we can call the half-plane C-0°. This half-plane constitutes the starting point of the other half-planes situated all around the luminous axis.

Moving the photoelectric cell along the C-0° half-plane with constant angular step, for example every 5°, in each position we obtain a new reading generally different from the previous ones, until arriving at  $\Gamma = 90^\circ$  (the photoelectric is situated laterally to the luminaire) where a dark lite luminaire no longer emits light ( $E = 0$  lux). The operation can be repeated along each of the infinite half-planes coming from the luminous axis: generally, however, it is usual to take into consideration the C-90°, C-180° half-planes or those with angular interdistances of 30° or 15°.

All the measured and converted values are summarized in a table (Photometric Table) according to the initial C-half-plane and relative  $\Gamma$  angle. The luminous intensities are calculated with laboratory readings by converting the values measured by the illuminance meter using the formula:

$$I = (E \times d^2) / F$$

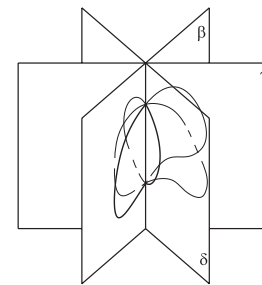
Where:

- I = luminous intensity (in cd/klm).
- d = distance luminaire-photoelectric cell; this distance must be greater than 5 times the maximum dimension of the luminous volume or area so that the luminaire can be considered a point source (Far Field method not to be confused with the Near Field method).
- F = total luminous flux of the lamps (in klm).

## POLAR AND CARTESIAN DIAGRAMS

The photometric table data are graphically represented by means of different photometric curves according to the type of coordinates employed:

- photometric curves represented with polar coordinates;
- photometric curves represented with Cartesian coordinates.



The first are used to represent luminaires in interiors and road installations, while the second better represent the emissions from floodlights; this does not however mean that a luminaire cannot be represented in either way.

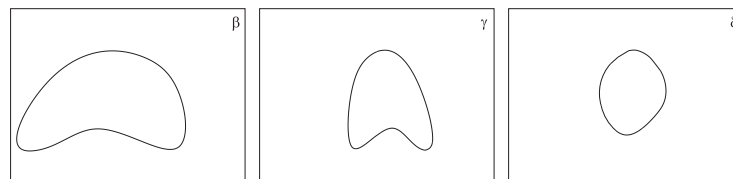
The Polar Diagram (or Polar Curve)

The Polar Diagram is obtained by selecting a half-plane from the photometric table (for example C-0°), marking in the corresponding values of intensity and angle on the polar plane and carefully joining the various points.

The polar curve can also be seen as the cross-section of the photometric solid through a plane that passes through the luminous axis of the luminaire.

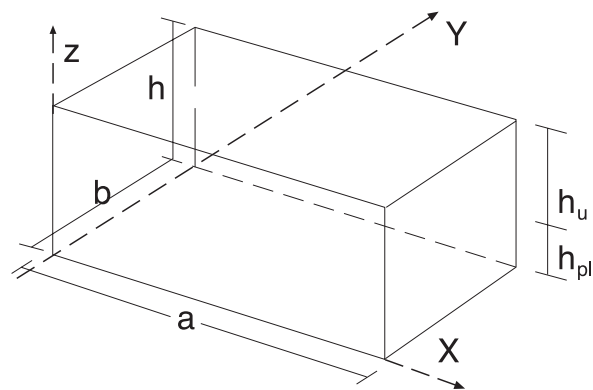
The Cartesian Diagram

If the intensity values according to the  $\Gamma$  angle are represented in terms of Cartesian coordinates (X-axis angles, ordinate intensity values) on a Cartesian plane and are carefully joined, the representation of the curve in Cartesian form is obtained (Cartesian Diagram).



## UTILIZATION FACTOR TABLES FOR THE WORK PLANE

The utilization factor tables are useful for determining the number of luminaires of the same kind to be used within the room given an average illuminance value.



K	8873	7773	7753	7731	5551	5511	3311	0000
0.6	0.45	0.42	0.34	0.28	0.31	0.24	0.23	0.21
0.8	0.53	0.49	0.41	0.34	0.37	0.29	0.28	0.26
1.0	0.59	0.55	0.47	0.40	0.41	0.34	0.33	0.30
1.3	0.65	0.61	0.53	0.45	0.46	0.39	0.38	0.35
1.5	0.69	0.65	0.58	0.49	0.50	0.43	0.41	0.38
2.0	0.76	0.71	0.65	0.55	0.55	0.49	0.47	0.43
2.5	0.80	0.75	0.69	0.59	0.58	0.53	0.51	0.46
3.0	0.83	0.78	0.73	0.62	0.61	0.56	0.53	0.49
4.0	0.85	0.80	0.76	0.65	0.63	0.59	0.55	0.50
5.0	0.88	0.83	0.79	0.67	0.65	0.61	0.58	0.52

### ELEMENTS IN THE TABLE

- Reflectance factors (example 773): these are the reflectance factors of the ceiling, walls and work plane and are to be considered as percentages multiplied by 10 (example 70%, 70% and 30%).
- Room Index K (example 0.6): the room index is a factor that considers the dimensions of the room under examination.
- Utilization Factors (example 340): these factors consider the amount of flux emitted by the luminaires falling on the work plane. The factors are expressed in thousands (0.340).

### USE OF THE TABLE

1. First of all, the reflectance value for ceiling, walls and work plane must be determined; in the case of walls with different reflectance factors, an average value should be calculated.

2. The room index corresponding to the room is calculated by means of the formula:

$$k = (a \times b) / (H_u \times (a + b))$$

where:

a and b are the length and width of the room;

H<sub>u</sub> is the working height understood as being the distance between the work plane and the luminaire.

3. The utilization factor is determined as the intersection of the column corresponding to the chosen reflectance factors and the line of the calculated room index: where precise values are unavailable, an average will have to be calculated.

4. The average illuminance value desired is determined according to the type of activity to be carried out inside the room.

5. The number of luminaires required to obtain the desired value of illuminance is calculated with the formula:

$$N = (E \times A) / (F \times F_u)$$

where:

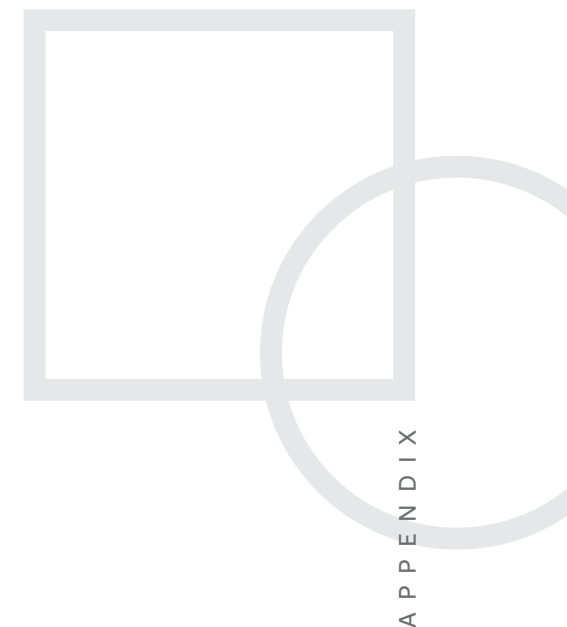
N = number of luminaires

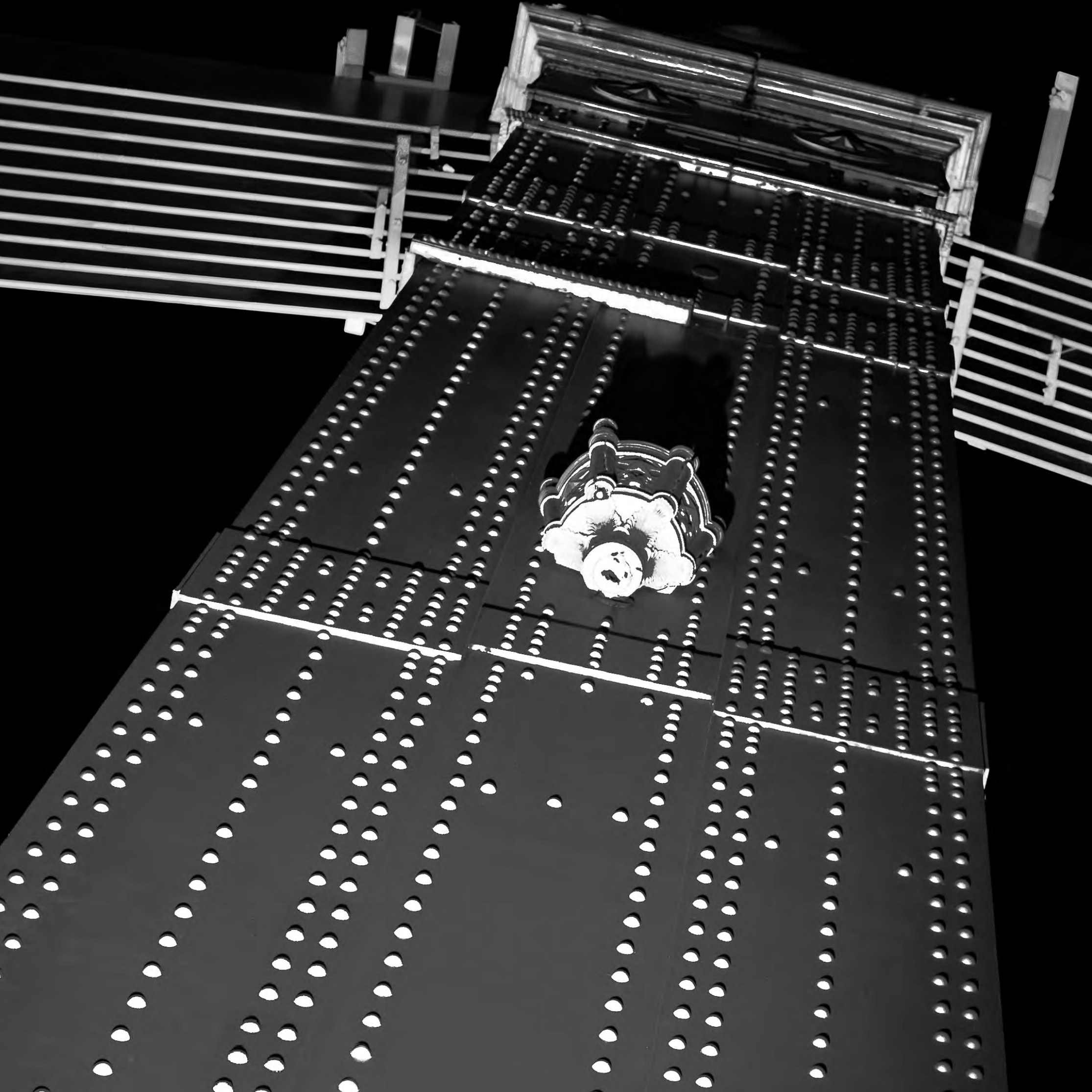
E = desired illuminance (in lx)

A = a x b = total area (in m<sup>2</sup>)

F = total flux of the individual luminaire (in lm)

F<sub>u</sub> = utilization factor





# ACKNOWLEDGEMENT

GRIVEN S.r.l. is grateful to the organisations and persons whose pictures are reproduced in this catalogue and would like to extend them the most genuine thankfulness.

Pages 2/3 - 70/71 - 88/91

Bogatyr Hotel Complex - Sochi - Russia  
DSL Ltd.

Concept, design, supply and installation:  
Svetoservis-Kuban, Krasnodar  
Photo by: Ivan Vislov

Pages 4/5 - 158/159 - 160/163

Nguyen Van Linh Intersection Bridge - Hai Phong  
Vietnam

Design and installation: PhuThanh JSC- Hanoi  
Pictures: PhuThanh JSC- Hanoi

Pages 6/7 - 42/45

Adelaide Oval - Adelaide - Australia  
ULA Group

Pages 8/9 - 100/101 - 106/109 - 182/185

The Pride of Muslims Mosque - Shali - Chechen  
Republic, Russia

Lighting concept and engineering: DSL Ltd.  
Supply and installation: Mechet-Stroy, Grozny

Pages 16/17 - 26/29

Palace of Culture and Science - Warsaw - Poland  
Project by: PROLIGHT sp. z o.o.

Pages 18/21

Yeongkwang Great Bridge - Jeollanam-Do Province  
South Korea

Project by: Youngkwang-Gun County  
Photo by: Mr. Jong-Min, Kang/Photographer

Pages 22/25

Noor Tower - Ouarzazate - Morocco  
Client: Masen

Project Management: Acwapower  
Supplied and supervised by: LUMINOVA  
Lighting design: OMBRAGES CANADA  
Photo by: Alessandro Pederzani

Pages 30/33

Bolte Bridge - Melbourne - Australia  
ULA Group

Pages 34/37

620 South Tryon - Charlotte, NC - USA  
Photo by: Finn O'Brien

Pages 38/41

Torre Civica - Sabaudia - Italy

Concept: Prof. Vittorio Storaro - Arch. Francesca  
Storaro

Lighting Design: Arch. Francesca Storaro  
Contractor company: ELTEL Srl  
Control system: Elettroservice Srl  
Collaborators: Arch. Diego Traettino  
Photo: Rino Malgrande

Pages 50/53

Cathedral of the Immaculate Conception  
Cuenca - Ecuador

Planning and illumination design, and product  
installation:  
Fundación Iluminar Luz y Color para Cuenca

Pages 54/57

Huis ten Bosch Theme Park - Nagasaki - Japan

Planning, lighting concept, and product installation:  
KOMADEN CORPORATION (JAPAN)  
Import, distribution, and lighting design:  
Lightcosmo CO., LTD.

Pages 58/61

Novosibirsk State University - Novosibirsk - Russia  
DSL Ltd.

Concept, design, supply and installation:  
Perspektiva Sveta, Novosibirsk

Pages 62/65

Via Giorgio Rizzardi - Marghera - Italy

Pages 66/69

thyssenkrupp tower - Rottweil - Germany  
Hess GmbH Licht + Form

Architects: Dr. Werner Sobek with Helmut Jahn  
Lighting concept: L-Plan Lighting Design, Berlin,  
Germany

Photo by: Copyright thyssenkrupp Elevator

Pages 72/75

Cathedral of Our Lady - Antwerp - Belgium  
Photo courtesy by: Benno Van den Bogaert

Pages 76/79

KICC Kentucky International Convention Center  
Louisville, KY - USA

Photo by: Kevin Shuck - Image Detail Photography

Pages 80/83

Rock of Cashel - Tipperary - Ireland

Enlighten, part of the Fantasy Lights Group  
Photo by: Con O' Donoghue

Pages 84/87

Sverdlovsk State Academic Philharmonic  
Ekaterinburg - Russia

DSL Ltd.  
Concept, design, supply and installation: MT Electro,  
Ekaterinburg

Pages 92/95

Moscow City Hall - Moscow - Russia  
DSL Ltd.

Concept, design, supply and installation:  
Heliocity, Moscow

Pages 96/99

Sanctuary of Loyola - Azpeitia - Spain  
Engineering and lighting: Gau-argi

Photo by: Aitor Rodriguez fotoangel.es

Pages 102/105 - 214/215

Lusail Marina Com 18 - Lusail Marina - Qatar

Main contractor: UrbaCon Trading & Contracting, UCC  
Client: ASSETS REAL ESTATE

Project manager: JANO FOR LIGHTING - Eng. Ammar  
Jano

Pages 114/115 - 116/119

The Citadel - Hue Imperial City - Vietnam

Design and installation: PhuThanh JSC- Hanoi

Pages 124/125 - 130/133

The Family Sculpture - Duleek - Co. Meath - Ireland  
Enlighten, part of the Fantasy Lights Group

Primary contractor and Project Leader:

Paul Read, Al Read Electrical

Photo by: Con O' Donoghue

Pages 126/129

The Phoenix Column - Dublin - Ireland

Enlighten, part of the Fantasy Lights Group

Photo by: Con O' Donoghue

Pages 138/141

The Anthem - Washington DC - USA

Photo by: Finn O'Brien

Pages 142/145

Kilmainham Gaol & Courthouse - Dublin - Ireland

Enlighten, part of the Fantasy Lights Group

Photo by: Con O' Donoghue

Pages 146/149

General Chinese Consulate - Munich - Germany  
Hess GmbH Licht + Form

Project partner: Obermeyer Planen + Bauen,  
Munich - Germany

Landscape architect: Alexander Over, Munich  
Germany

Photo by: Copyright Hess GmbH Licht + Form

Pages 150/153

Oil Fountain Monument - Surgut - Russia

DSL Ltd.

Lighting design and supply: Rezerv company, Tyumen

Pages 154/157

Festival Place - Basingstoke - UK

Wila Lighting Ltd

Lighting design: Hilson Moran

Installation: Ecolec Installations Ltd

Photo by: Duncan Abbott

Pages 164/167 - 172/175

Hoang Van Thu Bridge - Hai Phong - Vietnam

Design and installation: PhuThanh JSC- Hanoi

Pictures: PhuThanh JSC- Hanoi, Alessandro Pederzani

Pages 168/171

Bach Lam Bridge - Yen Bai - Vietnam

Design and installation: PhuThanh JSC - Hanoi

Pictures: PhuThanh JSC - Hanoi

Pages 186/189

Villa di Bagno - Porto Mantovano - Italy

Photo by: Doretta Gerevini

Pages 190/191 - 192/195

Almasa Royal Palace - New Capital - Egypt  
H&A

Designer & Consultant: ECG Consultant

Client: Al Masah Hotels

Pages 196/199 - 203

Place de la Liberation - Dijon - France

Groupe Freevox

Installation: Lorrillard

Photo by: André Morin

Pages 204/205

Holiday Inn Ufa - Russia

DSL Ltd.

Concept, design, supply and installation:

MT Electro, Ekaterinburg

Photo by: MT Electro, Ekaterinburg

Pages 206/209

Riga 1st Hospital - Riga - Latvia

Lucidus SIA

Photo by: Kaspars Volonts

Pages 210/213

The Federal Treasury - Moscow - Russia

DSL

Lighting design, supply and engineering:

TESLI, Moscow

Page 220

Krimsky Bridge - Moscow - Russia

DSL Ltd.

LD and installation by: Svetoservis





DiaLUX plug-in, GRIVEN products link to LUMsearch data base, as well as a comprehensive integration of EULUMDAT and IESNA91 data files, configuration schemes, DMX profiles and additional technical details of all the products featured in this collection are available for further reference on our website at [www.griven.com](http://www.griven.com).

GRIVEN S.r.l. guarantees the good quality and manufacture of the products, and undertakes to repair or supply again, according to its opinion and within the shortest time possible, any part that shows - during the guarantee period - defects of construction, manufacture or material. The guarantee on all the AL listed items - except for all the recessed, underwater LED lighting products, LED image projectors, as well as all the control systems and accessories listed - is valid for 5 (five) years starting from invoice date. The guarantee is valid only if confirmed by an official invoice. This guarantee applies to all applicable products sold after July, 6th 2015. For all the above listed items not included in the 5-year warranty terms, a tailored guarantee extension is available, upon request, with extra charge and by signing a relevant contract after appropriate evaluation of detailed application conditions. Maximum extended guarantee period is a total of 5 years. The guarantee excludes all consumables. For further guarantee terms and conditions please refer to the official Griven S.r.l. Limited Warranty Policy/Release 01.03.2019 nr. 02GR010319 available on our website at [www.griven.com](http://www.griven.com).

GRIVEN S.r.l. is continuously developing and improving all its products. Pictures and computer generated illustrations available in this catalogue describe only general details and shall not form part of any contract. We reserve the right to change specifications without prior notification. GRIVEN S.r.l. shall be under no liability for any loss, damage or injury for direct or indirect dependence on the information contained in this catalogue.

Copyright © 2020 by GRIVEN S.r.l. All rights reserved.  
All rights reserved. No part of this catalogue may be reproduced, stored in a retrieval system or transmitted in any form or by any means, electronic, mechanical, photocopying or otherwise, without the prior written permission of GRIVEN S.r.l.

Edition: March 2020

Printed in Italy  
Graphics and layout design by: art&image  
Photos by: Ottavio Tomasini  
Printed by: Intese Grafiche S.r.l.



GRIVEN S.r.l. Via Bulgaria, 16 Castel Goffredo (Mn) 46042 Italy Tel. +39 0376 779483 [www.griven.com](http://www.griven.com)