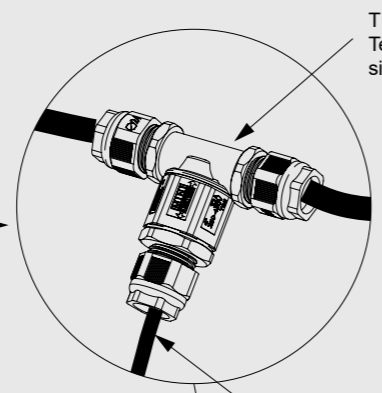
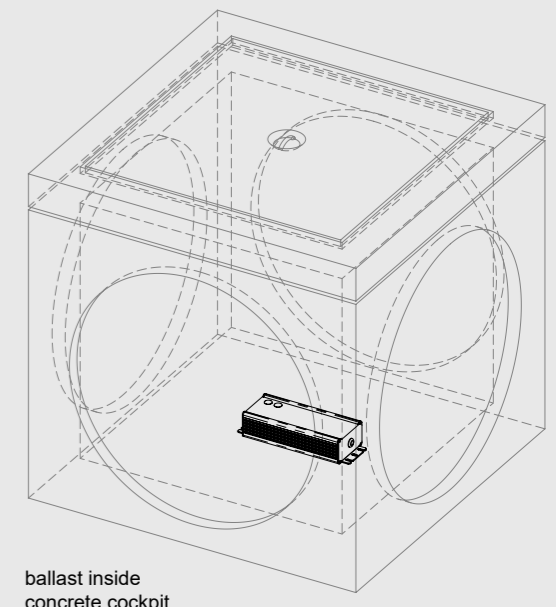


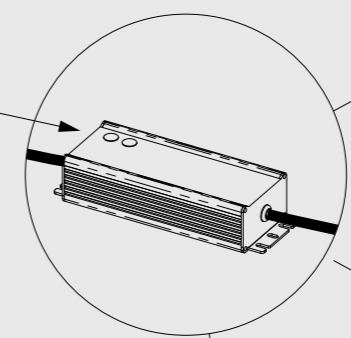
OR



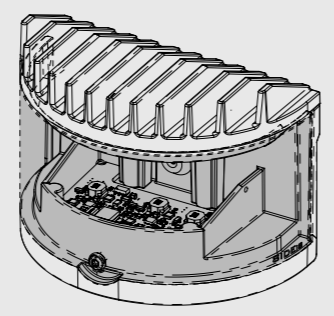
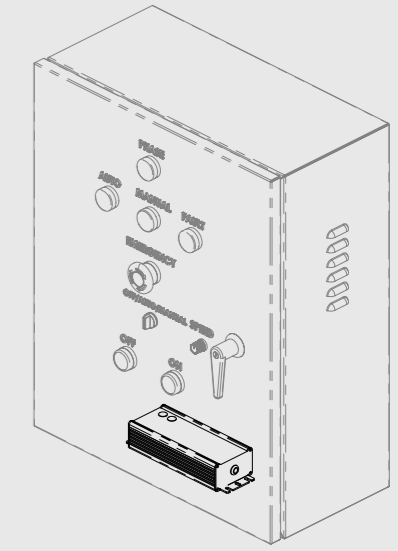
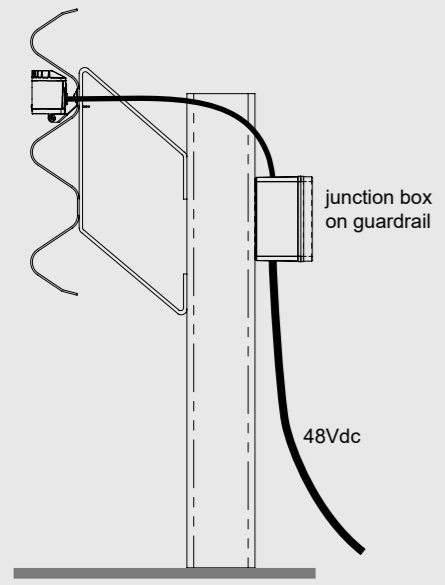
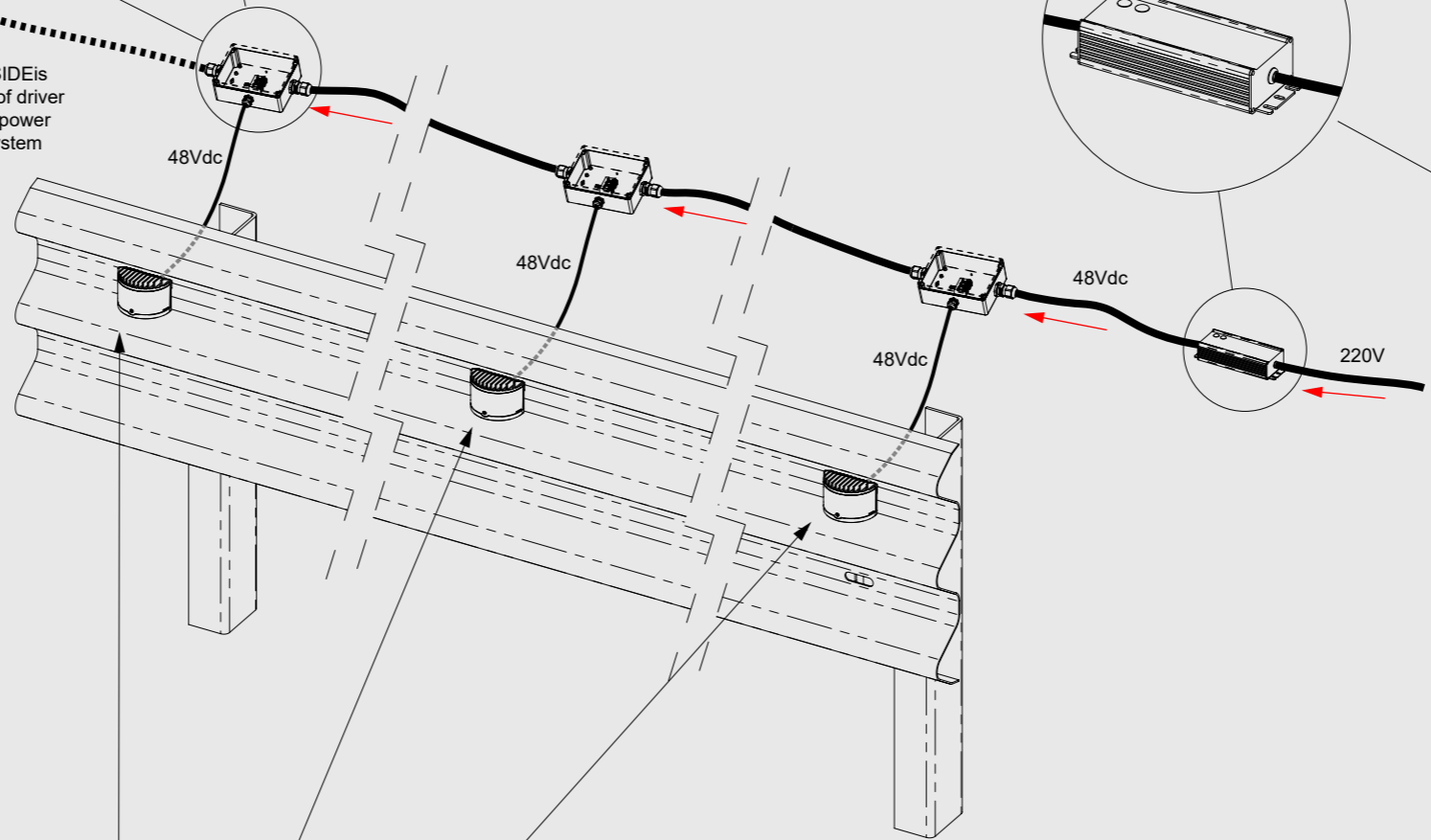
H05RN-F 2 x 0,75mm² cable



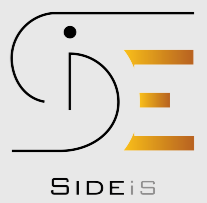
48V constant voltage ballast type Meanwell series from HLG-40H-48 to HLG-480-48 or similar

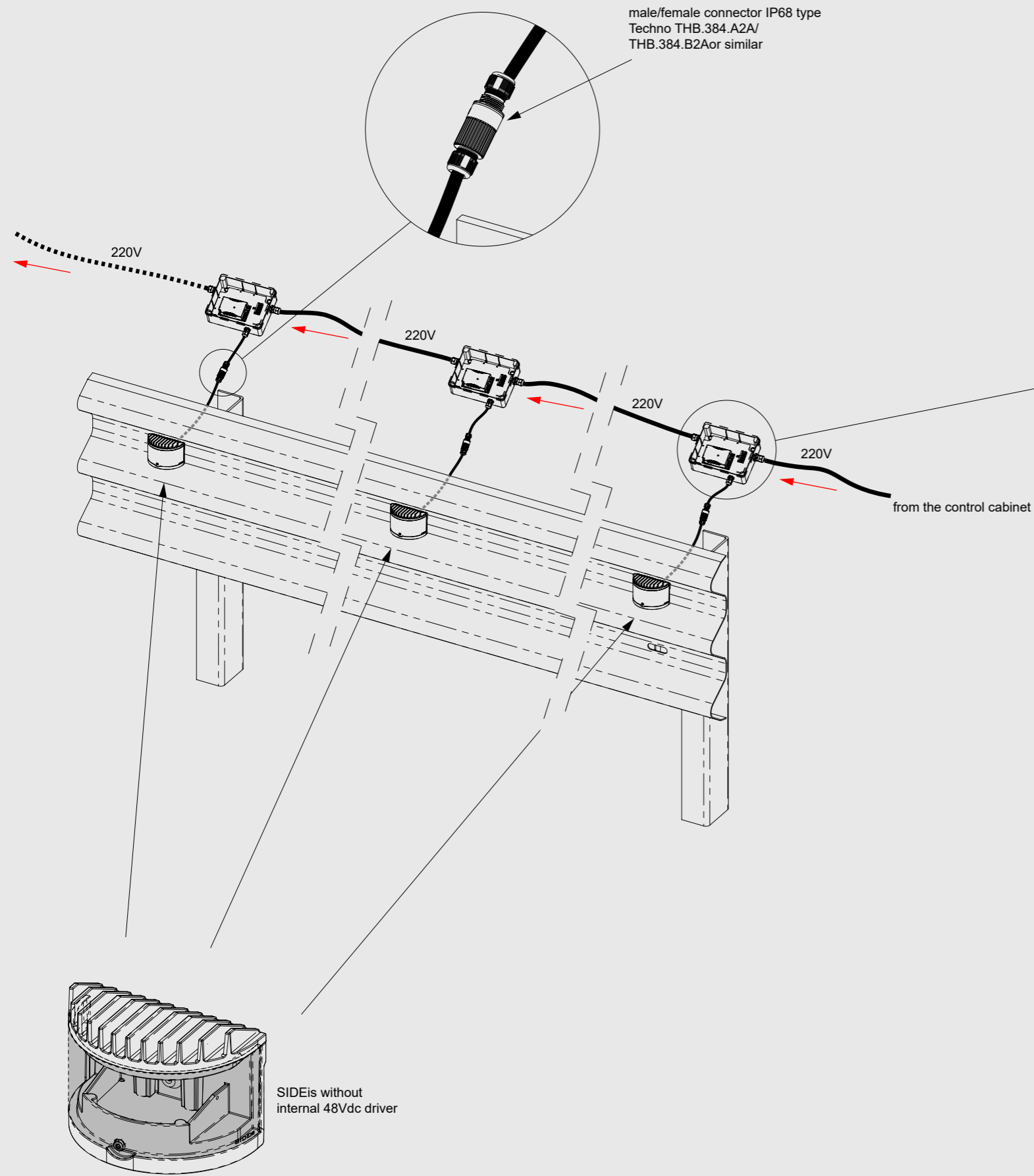


number of drivable SIDEis is given by the ratio of driver maximum allowable power and single SIDEis system power (12,7W)



Indications for 48Vdc wiring and connection of SIDEis





surge control device

