

SQUARE 5x5 mono

Recessed Ceiling Luminaire

Recessed Ceiling Luminaire with High-Power LEDs.
The luminaire is optimized for a uniform and glare-free illumination of computer workstations in accordance with DIN EN 12464.

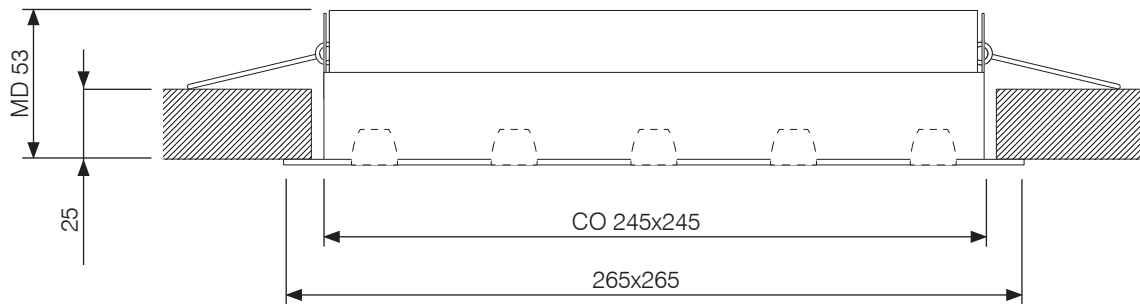
Particularly low mounting depth.



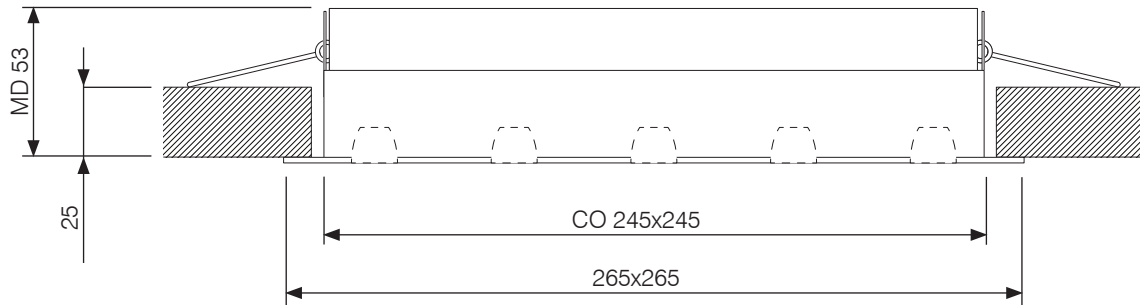
Reflector detail in original size
Outlet 15x15 mm



Lamp	Power LEDs, 25x 1,5 W
Lumen output	max. 5575 lm
Reflector	aluminium coated polycarbonate
Electrical ballast	LED gear external
Dimming (options)	1-10 V, DALI, phase cutting/reverse phase, Push
Luminaire type, assembly	ceiling built-in, tool-free with tension springs
Dimensions, weight	265x265x53 mm, CO 245x245 mm, MD 70 mm, 5 kg
Cast, heat sink	powder coated sheet steel, extruded aluminium profile
Colour/finish	powder coated, RAL 9016 (other RAL colors optional)
Protection marking, compliance	IP 20, CE
Specials	customized versions on request

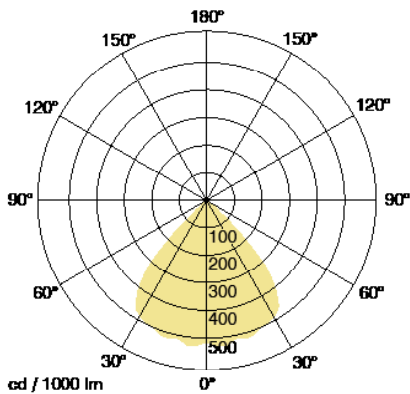


Light distribution	Light colour	Color rendering	Ballast	Order No.	+RAL-No.
	2700 K	CRI 80	On/Off	A 3525 P 2780 EV 9016	
			1-10 V	A 3525 P 2780 AN 9016	
			Dali	A 3525 P 2780 DA 9016	
			Phase	A 3525 P 2780 PH 9016	
	2700 K	CRI 90	Push	A 3525 P 2780 PU 9016	
			On/Off	A 3525 P 2790 EV 9016	
			1-10 V	A 3525 P 2790 AN 9016	
			Dali	A 3525 P 2790 DA 9016	
	2700 K	CRI 90	Phase	A 3525 P 2790 PH 9016	
			Push	A 3525 P 2790 PU 9016	
			On/Off	A 3525 P 3080 EV 9016	
			1-10 V	A 3525 P 3080 AN 9016	
	3000 K	CRI 80	Dali	A 3525 P 3080 DA 9016	
			Phase	A 3525 P 3080 PH 9016	
			Push	A 3525 P 3080 PU 9016	
			On/Off	A 3525 P 3090 EV 9016	
	3000 K	CRI 90	1-10 V	A 3525 P 3090 AN 9016	
			Dali	A 3525 P 3090 DA 9016	
			Phase	A 3525 P 3090 PH 9016	
			Push	A 3525 P 3090 PU 9016	
4000 K	CRI 80	On/Off	A 3525 P 4080 EV 9016		
		1-10 V	A 3525 P 4080 AN 9016		
		Dali	A 3525 P 4080 DA 9016		
		Phase	A 3525 P 4080 PH 9016		
4000 K	CRI 80	Push	A 3525 P 4080 PU 9016		
		On/Off	A 3525 P 5075 EV 9016		
		1-10 V	A 3525 P 5075 AN 9016		
		Dali	A 3525 P 5075 DA 9016		
5000 K	CRI 75	Phase	A 3525 P 5075 PH 9016		
		Push	A 3525 P 5075 PU 9016		



Light distribution

2 x 50°



Light colour

Color rendering

Ballast

Order No.

+RAL-No.

2700 K

3000 K

4000 K

5000 K

CRI 80

CRI 90

CRI 80

CRI 90

CRI 80

CRI 75

On/Off

1-10 V

Dali

Phase

Push

On/Off

1-10 V

Dali

Phase

Push

On/Off

1-10 V

Dali

Phase

Push

On/Off

1-10 V

Dali

Phase

Push

On/Off

1-10 V

Dali

Phase

Push

On/Off

1-10 V

Dali

Phase

Push

A 3525 V 2780 EV 9016

A 3525 V 2780 AN 9016

A 3525 V 2780 DA 9016

A 3525 V 2780 PH 9016

A 3525 V 2780 PU 9016

A 3525 V 2790 EV 9016

A 3525 V 2790 AN 9016

A 3525 V 2790 DA 9016

A 3525 V 2790 PH 9016

A 3525 V 2790 PU 9016

A 3525 V 3080 EV 9016

A 3525 V 3080 AN 9016

A 3525 V 3080 DA 9016

A 3525 V 3080 PH 9016

A 3525 V 3080 PU 9016

A 3525 V 3090 EV 9016

A 3525 V 3090 AN 9016

A 3525 V 3090 DA 9016

A 3525 V 3090 PH 9016

A 3525 V 3090 PU 9016

A 3525 V 4080 EV 9016

A 3525 V 4080 AN 9016

A 3525 V 4080 DA 9016

A 3525 V 4080 PH 9016

A 3525 V 4080 PU 9016

A 3525 V 5075 EV 9016

A 3525 V 5075 AN 9016

A 3525 V 5075 DA 9016

A 3525 V 5075 PH 9016

A 3525 V 5075 PU 9016