

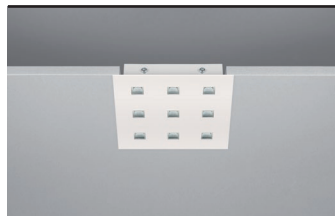
## SQUARE 3x3 dynamic

## Recessed Ceiling Luminaire

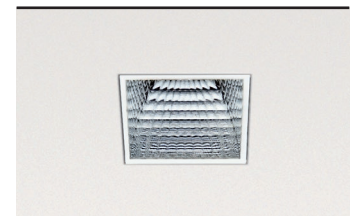
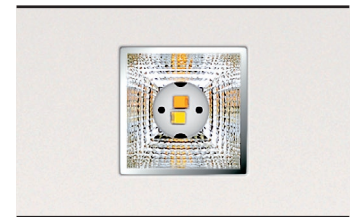
Recessed Ceiling Luminaire with High-Power LEDs. The luminaire is optimized for a uniform and glare-free illumination of computer workstations in accordance with DIN EN 12464.

Two different LED chips allow a dynamic color temperature tuning.

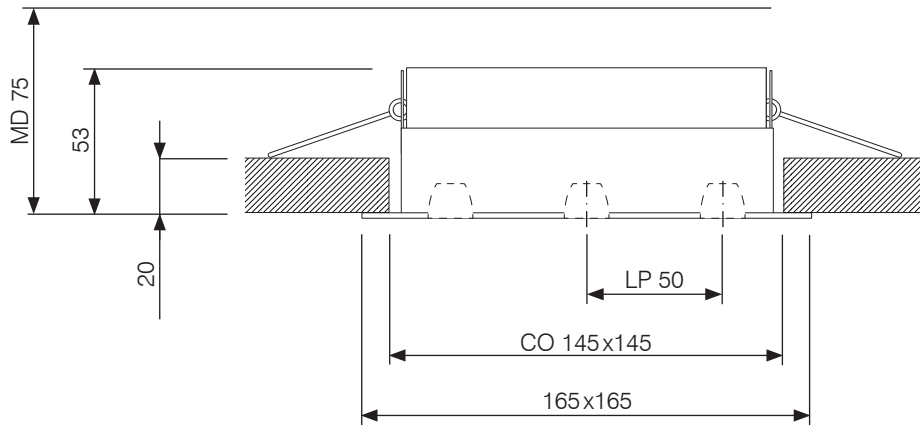
Particularly low mounting depth.



Reflector detail in original size  
Outlet 15x15 mm



Lamp	Power LEDs, 9x 1,5 W
LED lumen output tc 85°	min. 1012 lm, max. 1654 lm
Reflector	aluminium coated PC, micro faceted, 15x15 mm
Electrical ballast	LED gear external
Dimming (options)	1–10 V, DALI, DMX, Push
Luminaire type, assembly	ceiling recessed, tool-free with tension springs
Dimensions, weight	LxWxH 165x165x53 mm, CO 145x145 mm, MD 75 mm,
Cast, heat sink	powder coated sheet steel, extruded aluminium profile anodized black
Colour / finish	powder coated, RAL 9016 (other RAL colors optional)
Protection marking, compliance	IP20, <b>CE</b>
Specials	customized versions on request



Light distribution	Light colour	Color rendering	Ballast	Order No.	+RAL-No.
<p>2x35°</p> <p>90° 90°</p> <p>60° 60°</p> <p>30° 30°</p> <p>0°</p> <p>cd / 1000 lm</p>	2200 – 5000 K	CRI 80	1–10 V	A 3609 P 9880 AN 9016	
			DALI	A 3609 P 9880 DA 9016	
			DMX	A 3609 P 9880 DX 9016	
	2700 – 5700 K	CRI 80 – 70	Push	A 3609 P 9880 PU 9016	
			1–10 V	A 3609 P 9980 AN 9016	
			DALI	A 3609 P 9980 DA 9016	
<p>2x45°</p> <p>90° 90°</p> <p>60° 60°</p> <p>30° 30°</p> <p>0°</p> <p>cd / 1000 lm</p>	2200 – 5000 K	CRI 80	1–10 V	A 3609 T 9880 AN 9016	
			DALI	A 3609 T 9880 DA 9016	
			DMX	A 3609 T 9880 DX 9016	
	2700 – 5700 K	CRI 80 – 70	Push	A 3609 T 9880 PU 9016	
			1–10 V	A 3609 T 9980 AN 9016	
			DALI	A 3609 T 9980 DA 9016	
<p>2x55°</p> <p>90° 90°</p> <p>60° 60°</p> <p>30° 30°</p> <p>0°</p> <p>cd / 1000 lm</p>	2200 – 5000 K	CRI 80	1–10 V	A 3609 W 9880 AN 9016	
			DALI	A 3609 W 9880 DA 9016	
			DMX	A 3609 W 9880 DX 9016	
	2700 – 5700 K	CRI 80 – 70	Push	A 3609 W 9880 PU 9016	
			1–10 V	A 3609 W 9980 AN 9016	
			DALI	A 3609 W 9980 DA 9016	
			DMX	A 3609 W 9980 DX 9016	
			Push	A 3609 W 9980 PU 9016	