

## SQUARE 3x3 mono

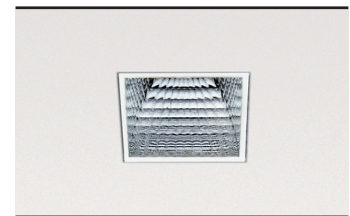
### Recessed luminaire

Ceiling-recessed luminaire with Power LEDs. The luminaire is optimized for a uniform and glare-free illumination. Perfectly as an energetic exchange of conventional general lighting.

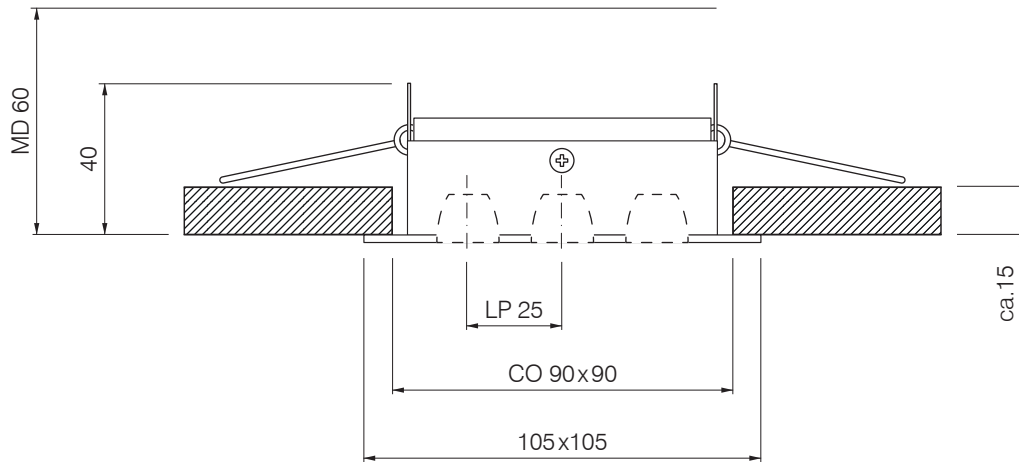
Particularly low mounting depth.



Reflector detail in original size. Outlet: 15x15 mm VDU workstation-compatible reflector, in accordance with DIN EN 12464.



Lamp	Power LEDs, 9x 1,5 W, light point spacing 25 mm
LED lumen output	min. 990 lm, max. 1602 lm
Reflector	Aluminium coated PC, micro faceted
Control gear	LED driver external
Dimming (options)	1–10 V, DALI, Push
Luminaire type, assembly	Ceiling recessed, tool-free with tension springs
Dimensions	LxWxH 105x105x40 mm, CO 90x90 mm, MD 60 mm
Cast, heat sink	Powder coated sheet steel, extruded aluminium profile anodized black
Colour / finish	Powder coated, RAL 9016 (other RAL colors optional)
Protection marking, compliance	IP20, <b>CE</b>
Specials	Customized versions, more light colours or colour renderings on request



EVG on/off = EV

1-10 V = AV

Dali = DA

Push = PH

Please replace the item number placeholder XX with the listed operating device options:

Light distribution	Light colour	Color rendering	Control gear	Order No.	+RAL
<p>2x35°</p>	2700 K	CRI 80	1-10 V, DALI, Push	A 3809 P 2780 XX 9016	
		CRI 90	1-10 V, DALI, Push	A 3809 P 2790 XX 9016	
	3000 K	CRI 80	1-10 V, DALI, Push	A 3809 P 3080 XX 9016	
		CRI 90	1-10 V, DALI, Push	A 3809 P 3090 XX 9016	
	4000 K	CRI 80	1-10 V, DALI, Push	A 3809 P 4080 XX 9016	
<p>2x45°</p>	2700 K	CRI 80	1-10 V, DALI, Push	A 3809 T 2780 XX 9016	
		CRI 90	1-10 V, DALI, Push	A 3809 T 2790 XX 9016	
	3000 K	CRI 80	1-10 V, DALI, Push	A 3809 T 3080 XX 9016	
		CRI 90	1-10 V, DALI, Push	A 3809 T 3090 XX 9016	
	4000 K	CRI 80	1-10 V, DALI, Push	A 3809 T 4080 XX 9016	
<p>2x55°</p>	2700 K	CRI 80	1-10 V, DALI, Push	A 3809 W 2780 XX 9016	
		CRI 90	1-10 V, DALI, Push	A 3809 W 2790 XX 9016	
	3000 K	CRI 80	1-10 V, DALI, Push	A 3809 W 3080 XX 9016	
		CRI 90	1-10 V, DALI, Push	A 3809 W 3090 XX 9016	
	4000 K	CRI 80	1-10 V, DALI, Push	A 3809 W 4080 XX 9016	
	5000 K	CRI 75	1-10 V, DALI, Push	A 3809 W 5075 XX 9016	