

SQUARE 2x2 mono

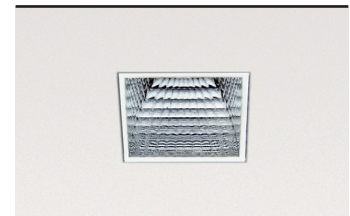
Recessed ceiling luminaire

Recessed ceiling luminaire with Power LEDs optimized for a uniform and glare-free illumination of computer workstations. Perfect as energetic exchange of halogen systems.

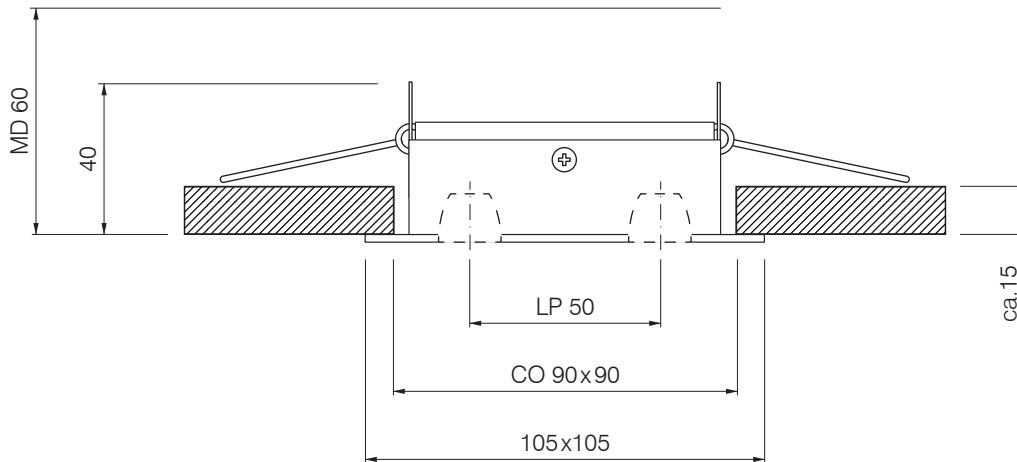
Particularly low mounting depth.



Reflector detail in original size.
Outlet: 15x15 mm
VDU workstation suitable reflector, in accordance with DIN EN 12464.



Lamp	Power LEDs, 4x 1,5 W, light point spacing 50 mm
Lumen output	min. 322 lm, max. 948 lm,
Lighting technology	Reflector: aluminium coated polycarbonate, micro faceted
Control gear	LED driver external
Dimming (options)	1–10 V, DALI, Push
Luminaire type, assembly	Ceiling built-in, tool-free with tension springs
Dimensions	LxWxH 105x105x40 mm, CO 90x90 mm, MD 60 mm
Cast, heat sink	Sheet steel, extruded aluminium profile anodized
Colour / finish	Powder coated, RAL 9016 (other RAL colors optional)
Protection marking, compliance	IP20, CE
Specials	Customized versions, more light colours or color renderings on request



on/off = EV

1-10 V = AV

Dali = DA

Push = PH

Please replace the item number placeholder XX with the listed operating device options:

Light distribution	Light colour	Color rendering	Control gear	Order No.	+RAL
	2700 K	CRI 80	1-10 V, DALI, Push	A 3604 P 2780 XX	9016
		CRI 90	1-10 V, DALI, Push	A 3604 P 2790 XX	9016
	3000 K	CRI 80	1-10 V, DALI, Push	A 3604 P 3080 XX	9016
		CRI 90	1-10 V, DALI, Push	A 3604 P 3090 XX	9016
	4000 K	CRI 80	1-10 V, DALI, Push	A 3604 P 4080 XX	9016
5000 K	CRI 75	1-10 V, DALI, Push	A 3604 P 5075 XX	9016	
	2700 K	CRI 80	1-10 V, DALI, Push	A 3604 T 2780 XX	9016
		CRI 90	1-10 V, DALI, Push	A 3604 T 2790 XX	9016
	3000 K	CRI 80	1-10 V, DALI, Push	A 3604 T 3080 XX	9016
		CRI 90	1-10 V, DALI, Push	A 3604 T 3090 XX	9016
	4000 K	CRI 80	1-10 V, DALI, Push	A 3604 T 4080 XX	9016
5000 K	CRI 75	1-10 V, DALI, Push	A 3604 T 5075 XX	9016	
	2700 K	CRI 80	1-10 V, DALI, Push	A 3604 W 2780 XX	9016
		CRI 90	1-10 V, DALI, Push	A 3604 W 2780 XX	9016
	3000 K	CRI 80	1-10 V, DALI, Push	A 3604 W 3080 XX	9016
		CRI 90	1-10 V, DALI, Push	A 3604 W 3090 XX	9016
	4000 K	CRI 80	1-10 V, DALI, Push	A 3604 W 4080 XX	9016
5000 K	CRI 75	1-10 V, DALI, Push	A 3604 W 5075 XX	9016	