

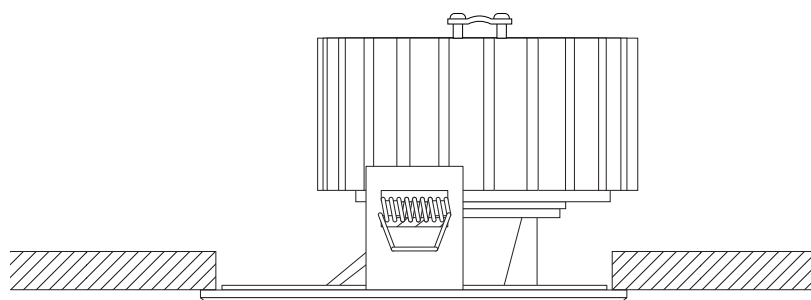
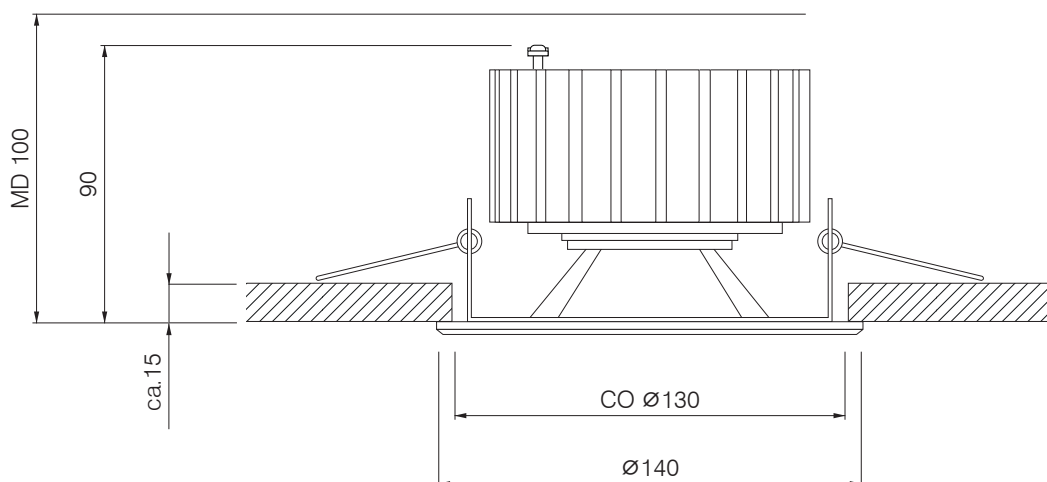


MULTI Wallwasher

Recessed luminaire

Recessed LED wallwasher optimized for a smooth and glare-free illumination of walls and vertical surfaces. Perfectly as an energetic exchange of conventional wallwasher.

Lamp	Bridgelux Vero 18
LED lumen output	1330 lm @ 350 mA – 8,8 W
	1882 lm @ 500 mA – 12,6 W
	2562 lm @ 700 mA – 18,2 W
	The reference values based on 3000 K with CRI 80
	3662 lm @ 1050 mA – 27,9 W
Reflector	aluminium coated polycarbonate
Control gear	LED driver external
Dimming (Options)	1–10 V, DALI, Push
Luminaire type, assembly	Ceiling built-in, tool-free with tension springs
Dimensions	D Ø140 mm, CO Ø130 mm, H 90 mm, MD 100 mm
Cast, heat sink	Aluminium powder coated, extruded aluminium profile anodized black
Colour / finish	Powder coated, RAL 9016 (other RAL colours optional)
Protection marking, compliance	IP20, CE
Specials	Customized versions, more light colours or colour renderings on request



EVG on/off = EV

1-10 V = AV

Dali = DA

Push = PH

Please replace the item number placeholder XX with the listed operating device options:

Light distribution	Light colour	Colour rendering	Control gear	Order No.	+RAL
<p>asymmetrical</p> <p>90° 90°</p> <p>60° 60°</p> <p>30° 30°</p> <p>0°</p> <p>200 400 600 800</p> <p>cd / 1000 lm</p>	2700 K	CRI 80	1-10 V, DALI, Push	A 3380 A 2780 XX	9016
	3000 K	CRI 80	1-10 V, DALI, Push	A 3380 A 3080 XX	9016
		CRI 90	1-10 V, DALI, Push	A 3380 A 3090 XX	9016
	4000 K	CRI 80	1-10 V, DALI, Push	A 3380 A 4080 XX	9016
	5000 K	CRI 75	1-10 V, DALI, Push	A 3380 A 5075 XX	9016