

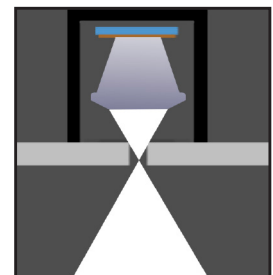


LFO SPOT recessed

Recessed luminaire

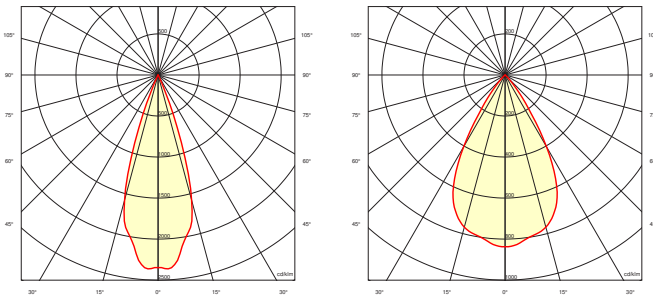
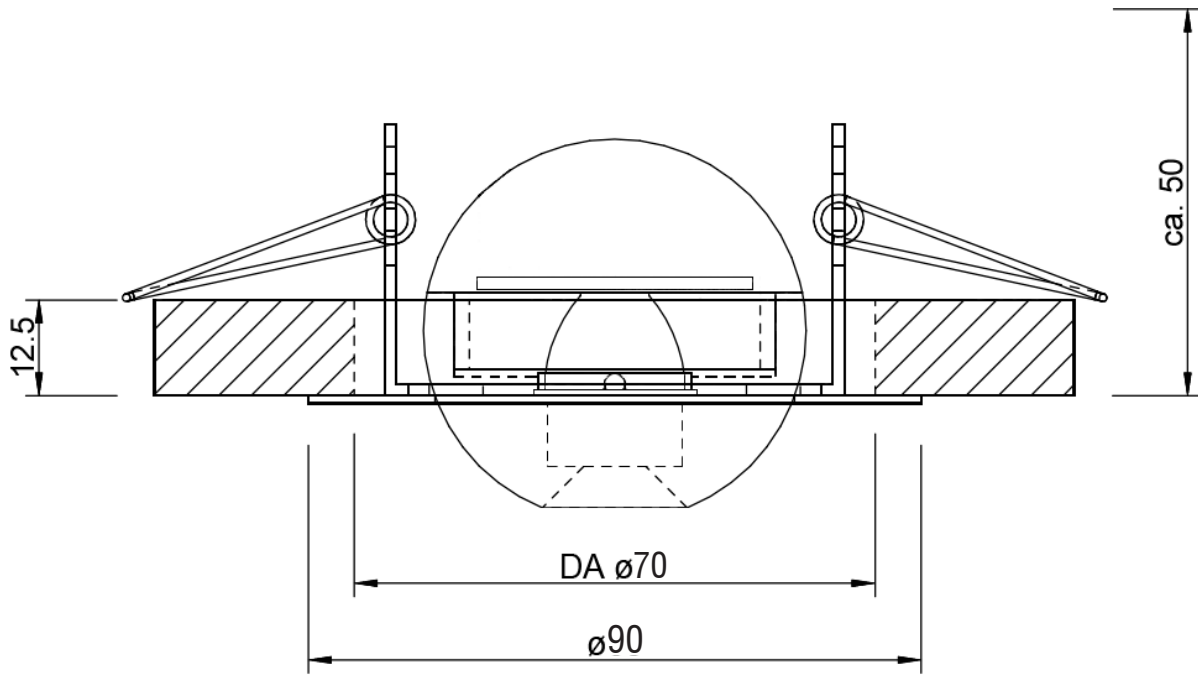
Recessed luminaire with Power LEDs optimized for a uniform and glare-free illumination. Perfect as an energy-saving replacement of conventional lighting systems.

The lens LFO is designed and calculated so that the light is focused and spreads glare-free down into the room, creating a natural light atmosphere.



Lamp	High Power LED 1-4W (Cree/Seoul/Nichia/etc.)
Lumen output (LED)*	1W: 123lm at 350mA 1,5W: 180lm at 500mA 2W: 216lm at 700mA
Reflector / Optics	Lens optics PMMA
Control Gear, Dimming (option)	External LED driver <i>mandatory</i> , DALI (others on request)
Luminaire type, assembly	Recessed
Dimensions	W= 90mm, H= 30mm, ET= 50mm, DA= 70mm
Cast, heat sink, Protection	sheet steel, extruded aluminium profile, IP20
Colour / finish	Powder coated, RAL 9016 (other RAL colors optional)
Extras	EVG, Customized versions, more light colours or color renderings on request

*: At 3000K CRI 80



Article number: - - - - -

Luminaire type	Identification	Reflector / Beam angle	Color temperature*	CRI	Driver	RAL
A = Recessed	5600	I = 2x20°	27 = 2700 K	70	EV = On/Off	0000 = None
		Q = 2x38°	30 = 3000 K	80	AV = 1-10V	1000 - 9018 = RAL
			40 = 4000 K	90	DA = Dali	
			57 = 5700 K	8H = HighFlux	PH = Push	
			98 = 2200 K - 5000 K	9H = HighFlux		
		99 = 2700 K - 5700 K				

*: Further color temperatures possible