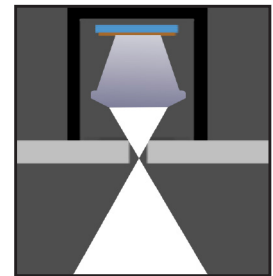


LFO 2x2 round

Recessed luminaire

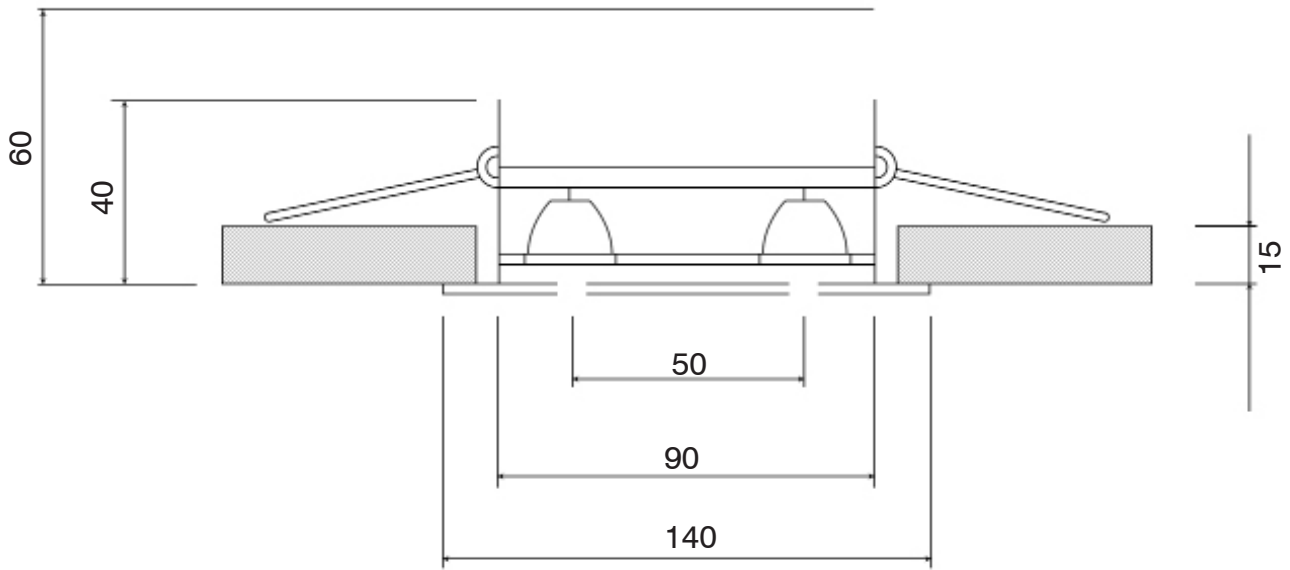
Recessed luminaire with Power LEDs optimized for a uniform and glare-free illumination. Perfect as an energy-saving replacement of conventional lighting systems.

The lens LFO is designed and calculated so that the light is focused and spreads glare-free down into the room, creating a natural light atmosphere.

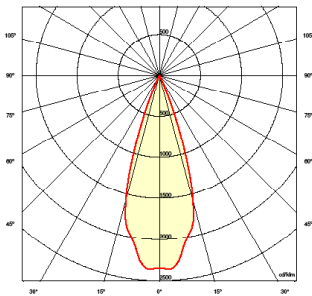


Lamp	High Power LED 1-2W (Cree / Seoul / Nichia / etc.)
Lumen output (LED)*	4x1W: 492lm at 350mA 4x1,5W: 720lm at 500mA 4x2W: 872lm at 700mA
Reflector / Optics	Lens optics PMMA, light point distance 50mm
Control Gear, Dimming (option)	External LED driver <i>mandatory</i> , DALI (others on request)
Luminaire type, assembly	Recessed
Dimensions	DxH= 140x40mm, MD=60mm, CO=90x90mm / Ø120mm
Cast, heat sink, Protection	Sheet steel, extruded aluminium profile anodized , IP20
Colour / finish	Powder coated, RAL 9016 (other RAL colors optional)
Extras	EVG, Customized versions, more light colours or color renderings on request

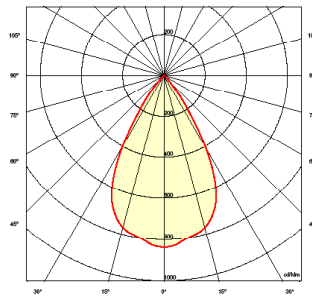
*: At 3000K CRI 80



LFO 2020 (2x20°)



LFO 3838 (2x38°)



Article number: _____

Luminaire type	Identification	Reflector / Beam angle	Color temperature*	CRI	Driver	RAL
A = Recessed	5714	I = 2x20°	27 = 2700 K	70	EV = On/Off	0000 = None
			30 = 3000 K	80	AV = 1-10V	1000 - 9018 = RAL
		Q = 2x38°	40 = 4000 K	90	DA = Dali	
			57 = 5700 K		PH = Push	
			98 = 2200 K - 5000 K			
		99 = 2700 K - 5700 K				

*: Further color temperatures possible