



## JUNIOR Sunset

### Recessed luminaire

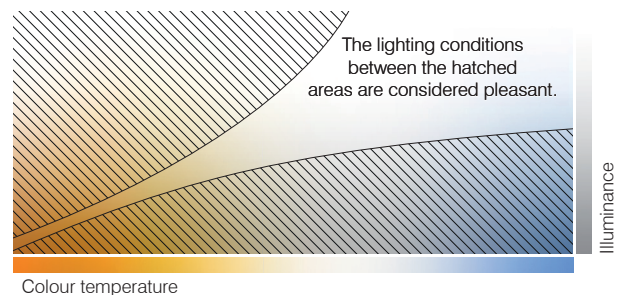
The JUNIOR Sunset Downlight is optimized for the energetic exchange of halogen downlights. With the two-dimensional dimming, the JUNIOR Sunset Downlight controls also the colour temperature along the black body curve during dimming. Thus it achieves the same pleasant and cozy lighting ambience that is typical of incandescent and halogen lamps.

Dimming with controlled colour temperature shift.

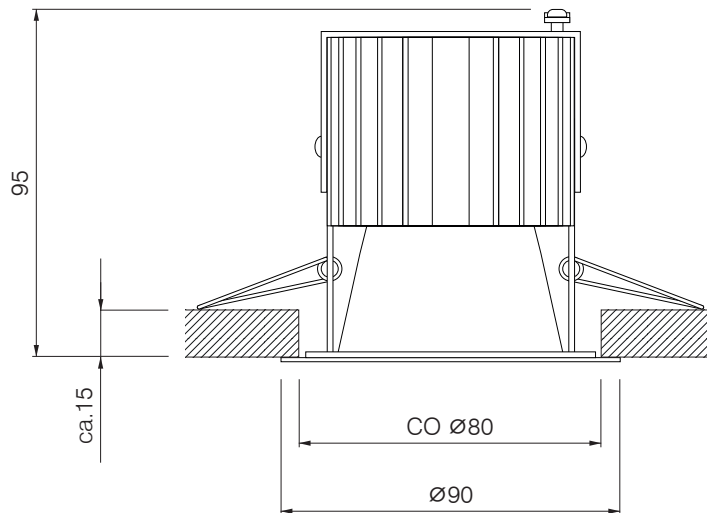
Dimming at constant colour temperature

Conventional LED systems maintain a constant colour temperature during dimming, which is perceived as

uncomfortable or displeasing. This correlation between illuminance and colour temperature is described by the Kruithof curve:



Lamp	Mini Zenigata (2 x 30°, 2 x 40°)	Mega Zenigata (2 x 20°, 2 x 50°)
LED lumen output	min. 105 lm (2000 K) @ 50 mA max. 1000 lm (3000 K) @ 350 mA	min. 155 lm (2000 K) @ 80 mA max. 2860 lm (3000 K) @ 950 mA
Lighting technology	Reflector: J6 aluminium specular anodize	
Control gear	LED driver external	
Dimming (options)	1–10 V, DALI, Push	
Luminaire type, mounting	Ceiling recessed, tool-free with tension springs	
Dimensions	D Ø90 mm, CO Ø80 mm, H 95 mm, MD 100 mm	
Cast, heat sink	Sheet steel, extruded aluminium profile anodized black	
Colour / finish	Powder coated, RAL 9016 (other RAL colours optional)	
Protection marking, compliance	IP20 (optional IP54), <b>CE</b>	
Specials	Customized versions, more light colours or colour renderings on request	



Light distribution	Light colour	Colour rendering	Control gear	Order No.	+RAL
	2000 - 2700 K	CRI 80	1-10 V	A 5020 I 9080 AV 9016	
			Dali	A 5020 I 9080 DA 9016	
			Push	A 5020 I 9080 PU 9016	
			1-10 V	A 5020 I 9090 AV 9016	
			Dali	A 5020 I 9090 DA 9016	
			Push	A 5020 I 9090 PU 9016	
	2000 - 2700 K	CRI 80	1-10 V	A 5020 M 9080 AV 9016	
			Dali	A 5020 M 9080 DA 9016	
			Push	A 5020 M 9080 PU 9016	
			1-10 V	A 5020 M 9090 AV 9016	
			Dali	A 5020 M 9090 DA 9016	
			Push	A 5020 M 9090 PU 9016	
	2000 - 2700 K	CRI 80	1-10 V	A 5020 R 9080 AV 9016	
			Dali	A 5020 R 9080 DA 9016	
			Push	A 5020 R 9080 PU 9016	
			1-10 V	A 5020 R 9090 AV 9016	
			Dali	A 5020 R 9090 DA 9016	
			Push	A 5020 R 9090 PU 9016	
	2000 - 2700 K	CRI 80	1-10 V	A 5020 V 9080 AV 9016	
			Dali	A 5020 V 9080 DA 9016	
			Push	A 5020 V 9080 PU 9016	
			1-10 V	A 5020 V 9090 AV 9016	
			Dali	A 5020 V 9090 DA 9016	
			Push	A 5020 V 9090 PU 9016	