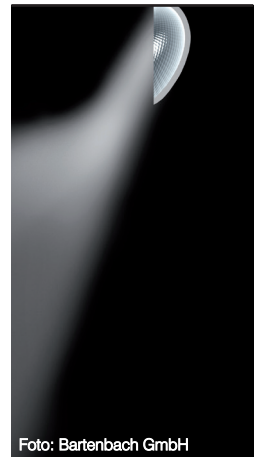
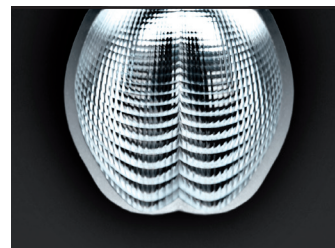


## FFF SOLO

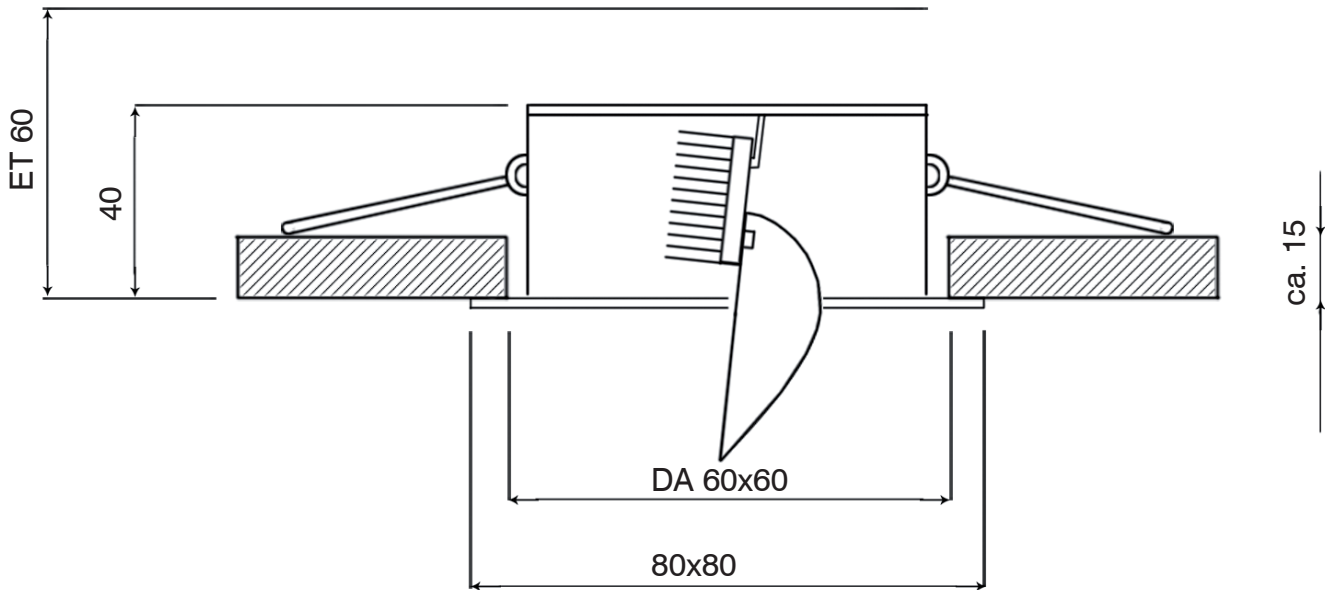
## Recessed luminaire

Wallwasher / Up-Light with optimum longitudinal glare control. Even a lateral position respectively angle of view in to the luminaire, will the viewer not being dazzled. Perfect applications include corridors, galleries and museums.

Reflector with complexed faceted surface for precise light and glare control.



Lamp	High power LED, 4W at 350mA
Lumen output	approx. 440lm @ 2700K / 3000K (CRI 80), ca. 380lm @ 4000k (CRI 90)
Lighting technology	Reflector: Plastic aluminized,
Control gear	LED driver external
Dimming (options)	1–10 V, DALI, Push
Luminaire type, assembly	Recessed ceiling, without tools with torsion springs
Dimensions	W= 80mm, H= 80mm, ET= 60mm, DA= 60mm
Cast, heat sink	Steel
Colour / finish	Powder coating, RAL 9016 (optional RAL color as desired)
Protection marking, compliance	IP20, <b>CE</b>
Specials	Customized versions, more light colours or color renderings on request



EVG on/off = EV

1-10 V = AV

Dali = DA

Push = PH

Please replace the item number placeholder XX with the listed operating device options:

Light distribution	Light colour	Colour rendering	Control gear	Order No.	+RAL
	2700 K	CRI 80	1-10 V, DALI, Push	A 3350 A 2780 XX	9016
		CRI 90	1-10 V, DALI, Push	A 3350 A 2790 XX	9016
	3000 K	CRI 80	1-10 V, DALI, Push	A 3350 A 3080 XX	9016
		CRI 90	1-10 V, DALI, Push	A 3350 A 3090 XX	9016
	4000 K	CRI 80	1-10 V, DALI, Push	A 3350 A 4080 XX	9016
		CRI 90	1-10 V, DALI, Push	A 3350 A 4090 XX	9016