



FFF-Wallwasher mono

Semi recessed luminaire

Wallwasher /Up-Light with optimum longitudinal glare control. Even a lateral position respectively angle of view in to the luminaire, will the viewer not being dazzled. Perfect applications include corridors, galleries and museums.

Reflector with complexed faceted surface for precise light and glare control.

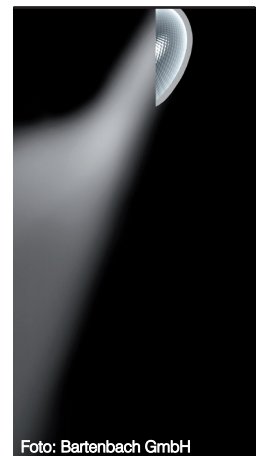
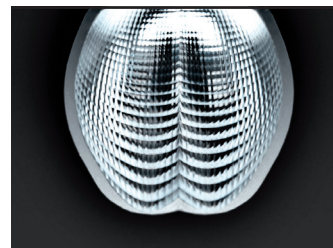
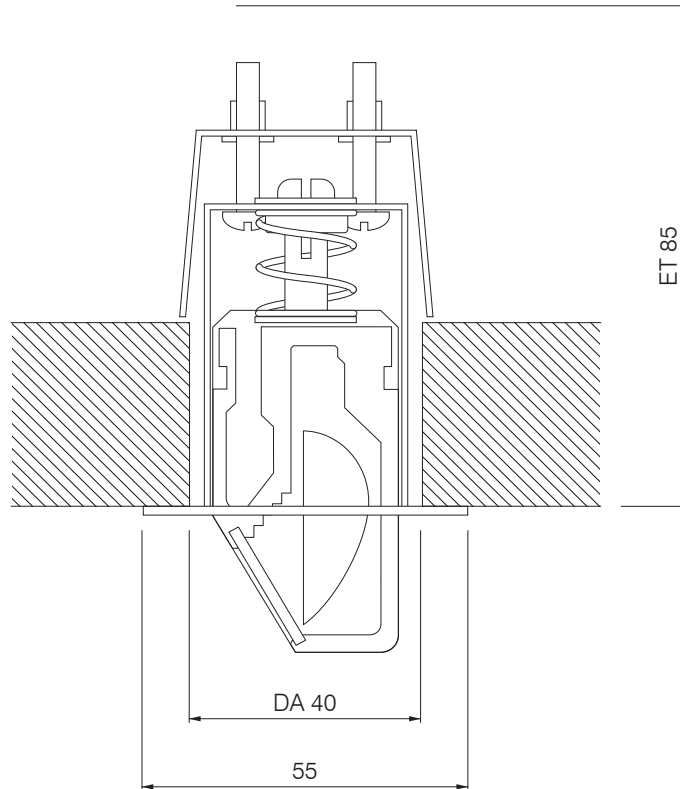


Foto: Bartenbach GmbH

Lamp	2 W pro Power LED
Lumen output	ca. 100 lm/W
Light technology	reflector: aluminium coated polycarbonate
Control gear	LED gear (internal/external)
Dimming (options)	1-10 V, DALI, phase cutting/reverse phase, Push
Luminaire type, assembly	ceiling semi-recessed
Dimensions	H=100mm, W=55mm, L=1000mm (typical)
Cast, heat sink	extruded aluminium profile, protective screen
Colour / finish	powder coated, RAL 9016 (other RAL colors optional) optional anodized natural or in black
Protection marking, compliance	IP20, CE
Specials	customized versions on request



EVG on/off = EV

1-10 V = AV

Dali = DA

Push = PH

Please replace the item number placeholder XX with the listed operating device options:

Light distribution	Light colour	Colour rendering	Control gear	Order No.	+RAL	
<p>asymmetric</p> <p>90° 90°</p> <p>60° 60°</p> <p>30° 30°</p> <p>0°</p> <p>100 200 300 400 500</p> <p>cd / 1000 lm</p>	2700 K	CRI 80	1-10 V, DALI, Push	E 3300 A 2780 XX	9016	
			CRI 90	1-10 V, DALI, Push	E 3300 A 2790 XX	9016
	3000 K	CRI 80	1-10 V, DALI, Push	E 3300 A 3080 XX	9016	
			CRI 90	1-10 V, DALI, Push	E 3300 A 3090 XX	9016
	4000 K	CRI 80	1-10 V, DALI, Push	E 3300 A 4080 XX	9016	
			CRI 90	1-10 V, DALI, Push	E 3300 A 4090 XX	9016