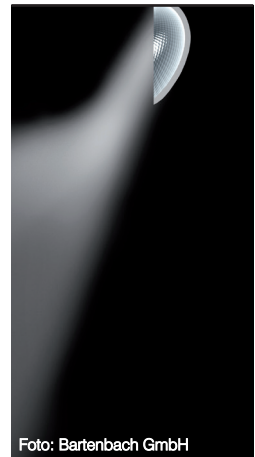
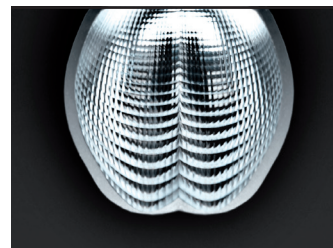


FFF-Wallwasher mono

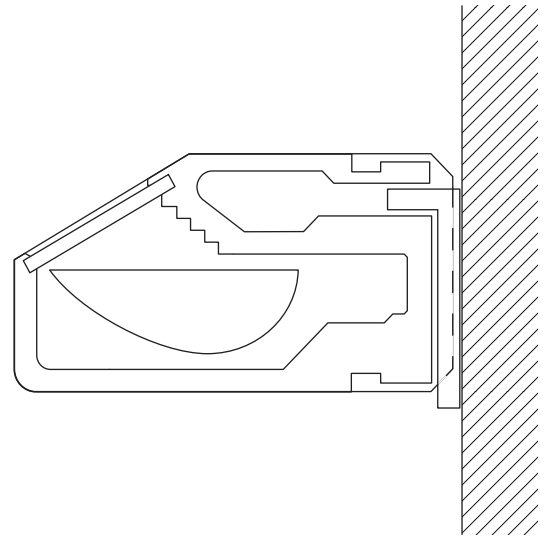
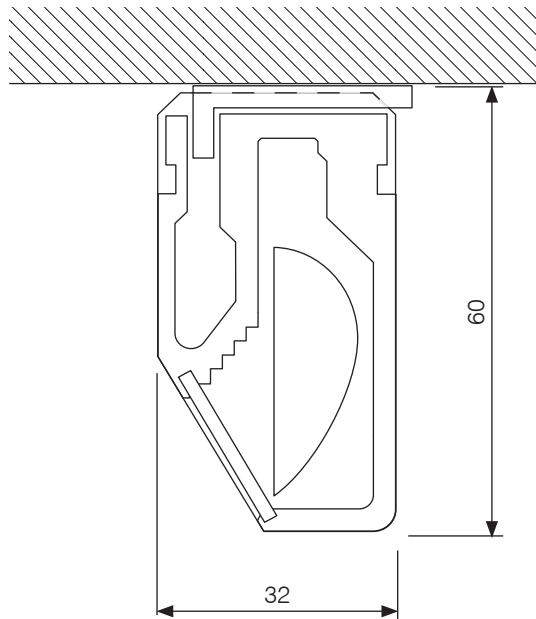
Surface Mounted Luminaire

Wallwasher /Up-Light with optimum longitudinal glare control. Even a lateral position respectively angle of view in to the luminaire, will the viewer not being dazzled. Perfect applications include corridors, galleries and museums.

Reflector with complexed faceted surface for precise light and glare control.



Lamp	2 W per power LED
Lumen output	ca. 100 lm/W
Reflector	aluminium coated polycarbonate
Electrical ballast	LED gear (internal/external)
Dimming (options)	1-10 V, DALI, phase cutting/reverse phase, Push
Luminaire type, assembly	ceiling surface-mounted , mounting L-profile
Dimensions, weight	W= 32 mm, H= 60, L= XX, (internal driver ca. 150mm longer)
Cast, heat sink	extruded aluminium profile, protective screen
Colour / finish	powder coated, RAL 9016 (other RAL colors optional) optional anodized natural or in black
Protection marking, compliance	IP20, CE
Specials	customized versions on request



Light distribution	Light colour	Light colour	Ballast	Order No.	+RAL-No.
asymmetrical 	2700 K	CRI 80	On/Off	K 3300 A 2780 EV 9016	
			1-10 V	K 3300 A 2780 AN 9016	
			Dali	K 3300 A 2780 DA 9016	
			Phase	K 3300 A 2780 PH 9016	
			Push	K 3300 A 2780 PU 9016	
			On/Off	K 3300 A 2790 EV 9016	
	3000 K	CRI 90	1-10 V	K 3300 A 2790 AN 9016	
			Dali	K 3300 A 2790 DA 9016	
			Phase	K 3300 A 2790 PH 9016	
			Push	K 3300 A 2790 PU 9016	
			On/Off	K 3300 A 3080 EV 9016	
			1-10 V	K 3300 A 3080 AN 9016	
	4000 K	CRI 80	Dali	K 3300 A 3080 DA 9016	
			Phase	K 3300 A 3080 PH 9016	
			Push	K 3300 A 3080 PU 9016	
			On/Off	K 3300 A 3090 EV 9016	
			1-10 V	K 3300 A 3090 AN 9016	
			Dali	K 3300 A 3090 DA 9016	
	4000 K	CRI 90	Phase	K 3300 A 3090 PH 9016	
			Push	K 3300 A 3090 PU 9016	
			On/Off	K 3300 A 4080 EV 9016	
			1-10 V	K 3300 A 4080 AN 9016	
			Dali	K 3300 A 4080 DA 9016	
			Phase	K 3300 A 4080 PH 9016	
		Push	K 3300 A 4080 PU 9016		