

HIGHLIGHTS  
- FOR YOUR CITY

VILLAGE 300





VILLAGE 300

AVILA



[www.hess.eu/village300](http://www.hess.eu/village300)



[www.hess.eu/avila](http://www.hess.eu/avila)



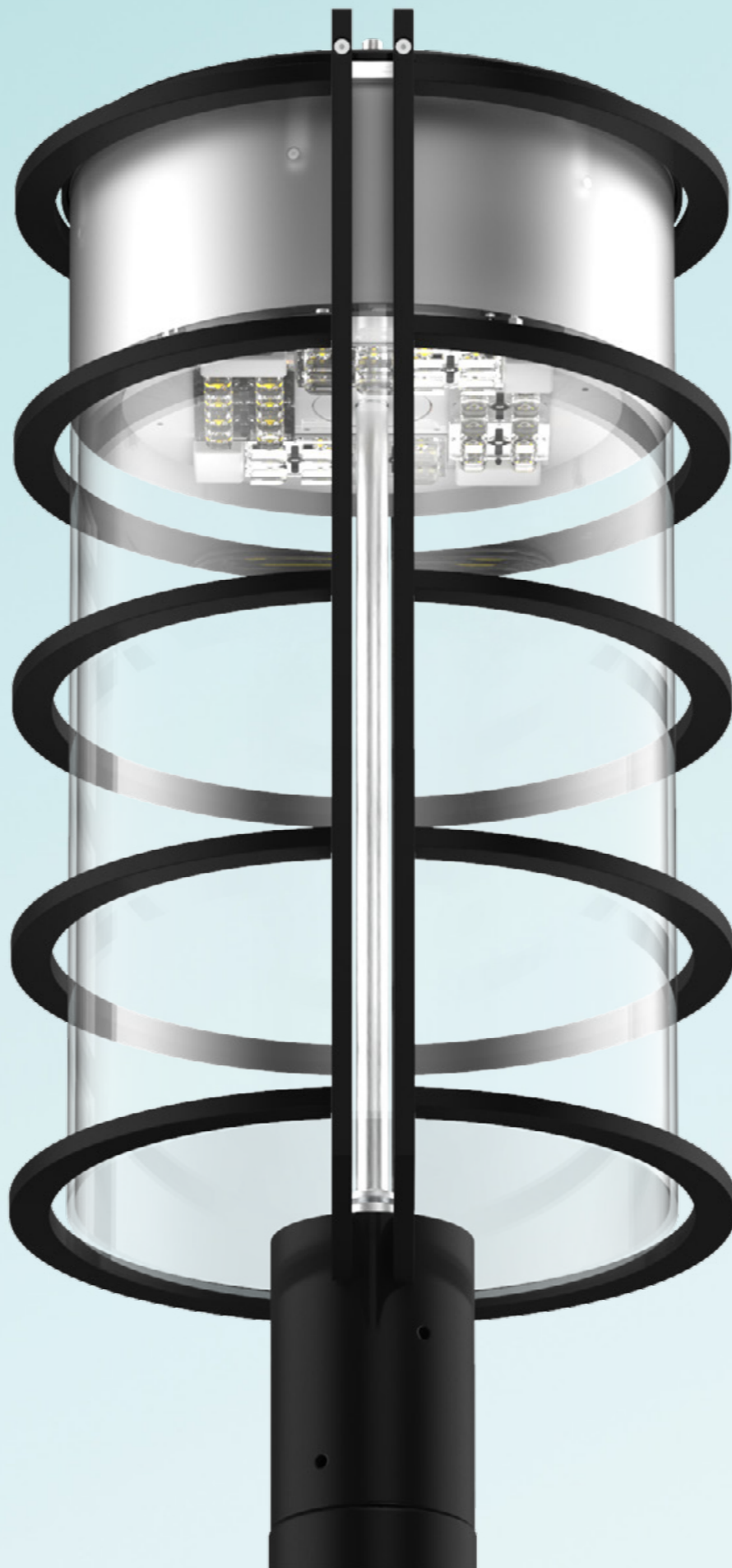
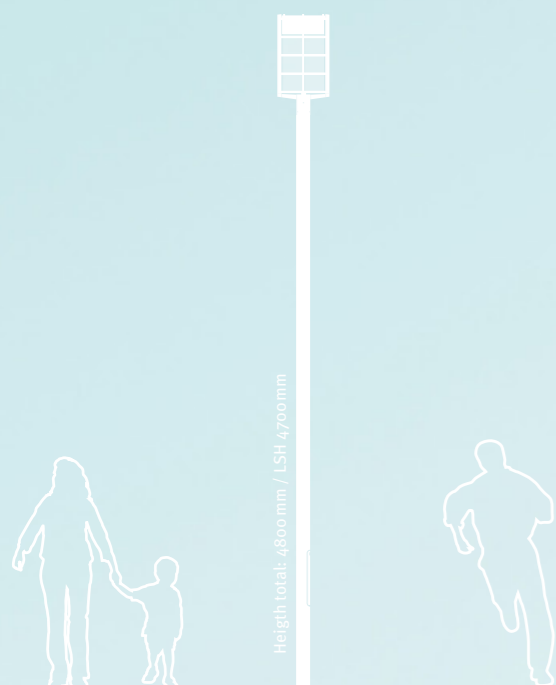
## VILLAGE 300 Elegant and decorative!

The VILLAGE 300: An expressive design luminaire for the holistic design of urban spaces. Clear and minimalist in design, the VILLAGE 300 fits harmoniously into almost any architectural environment.

At the same time, the VILLAGE 300 sets accents. Characterised by five aluminium rings, that encircle the luminaire body, the luminaire appears both elegant and decorative.

The VILLAGE 300 – a luminaire that sheds a positive light on its environment.

*On yours as well?*



### VILLAGE 300

**As a special version, even more customised!**

Individuality is a priority for us.  
Highlight your city's individuality even more  
with VILLAGE 300 as a special version.

*What does your desire for individuality look like?*



*The illustration shows a special version with a copper coloured perforated plate, which has additional illumination during the evening and after dark, and which lends the light a special tone – for an impressive effect during the day and a particularly atmospheric lighting mood at night.*





**VILLAGE 300**  
**A very attractive family!**

The VILLAGE 300: A luminaire that guarantees a holistic and very high-quality design approach on prestigious streets and distinctive squares.

As a luminaire family – whether as a wall mounted, catenary suspended or pole top mounted luminaire – the VILLAGE 300 offers you every possibility of designing a very attractive urban space – during the day and at night.

*You have the choice!*

[www.hess.eu/village300](http://www.hess.eu/village300)



## VILLAGE 300

### A perfect presence, also at night!

The VILLAGE 300 meets the highest demands on functionality and efficiency: The most modern LED technology, a variety of optics as well as innovative dimming systems ensure you are equipped to meet practically all lighting requirements.

Equipped with state-of-the-art and extremely powerful LEVO3 technology with a maximum rated input power of 53 watts, it offers a variety of lighting characteristics – from asymmetric to asymmetric wide, deep or right illumination clear through to rotationally symmetrical – and thus has an especially wide range of applications, even at heights of up to 6 meters.

The VILLAGE 300 has an important key feature: As a result of the intelligent arrangement of the LEDs, the aluminium rings, that lend the luminaire its stylistic character, do not create shadows – therefore, homogeneous light distribution and the best lighting are ensured with maximum efficiency.

With the use of dimming systems, the VILLAGE 300 is even more efficient and convenient. Again, the choice is yours: whether DALI, StepDIM or AstroDIM.

The VILLAGE 300 – an impressive presence.

*Are you convinced as well?*

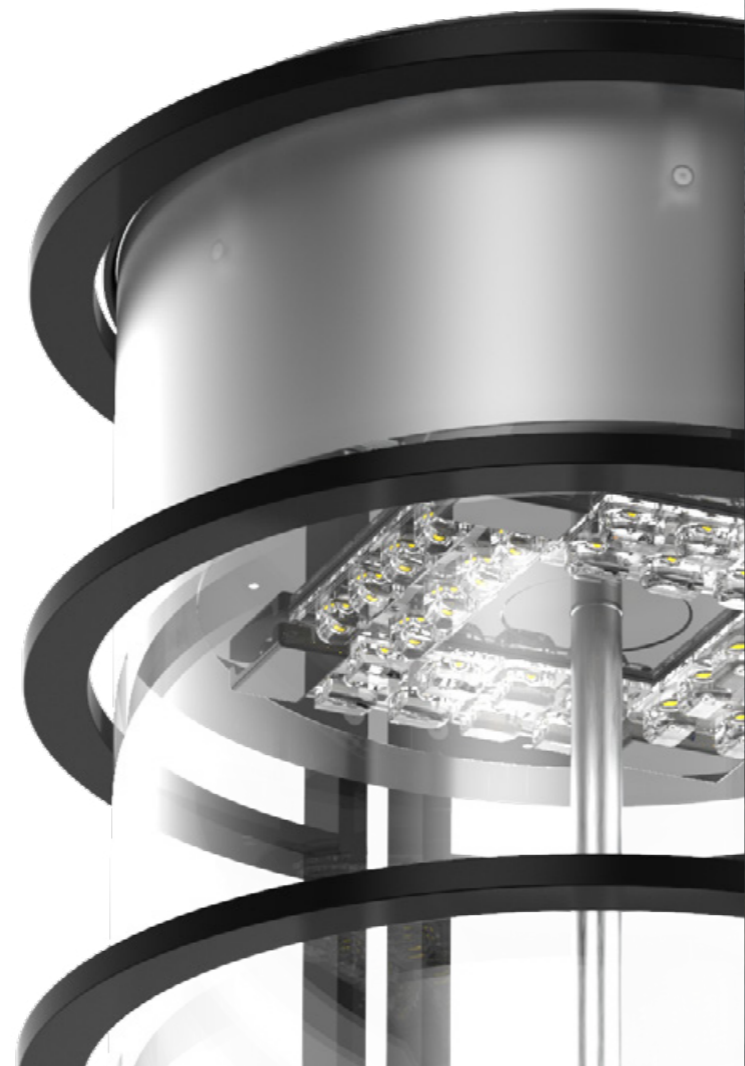
LEVO 3 (Module and optics)



[www.hess.eu/en/Produkte/Hess\\_LED-Module](http://www.hess.eu/en/Produkte/Hess_LED-Module)



VILLAGE 300



Hess GmbH Licht + Form  
Lantwattenstraße 22  
D - 78050 Villingen-Schwenningen  
Tel: +49 (0) 7721 920-0  
E-Mail: [hess@hess.eu](mailto:hess@hess.eu)  
[www.hess.eu](http://www.hess.eu)

© Hess GmbH Licht + Form 2018

Errors and changes excepted.  
Illustrations are not binding.