

## ARINI LIGHT

ARINI LIGHT Leuchtenkopf  
17.10100.0V001 LED 54W SKI 3000K 10°

Luminaire head ARINI LIGHT  
Luminaire head and shroud made from die cast aluminium  
End cap made from PC, painted  
Hinge for horizontal (max. 120°) and vertical (max. 130°) adjustment  
360° adjustment of shroud possible  
Luminaire cover made from PMMA  
Elec. equip. with LED module  
Light colour 3000K  
System power approx. 54W  
Optic 10° rotationally symmetric  
Ingress protection IP 66  
Protection Rating I  
Connection: Pre-wired (10000mm), 3G x 1,0 mm<sup>2</sup>  
Colour: RAL (classic-unicolour) / HESS-DB+Glimmer (to be specified). RAL Pearl-Metallic on request



### Technical values

Ingress protection	IP66
Rated input power [W]	54.0
Rated luminous flux [lm]	5162.0
Efficiency [lm/W] system	95.6

LED lifetime:  
L80 B10 / 85.000h - TA ≤ 25°C  
L70 B10 / 50.000h - TA >25 - ≤50°C

CE

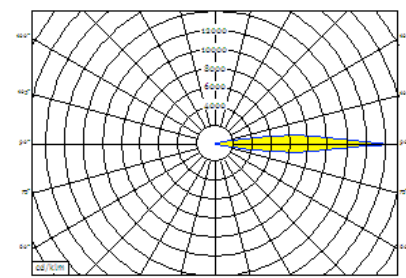
### Advantages

- Diverse because ARINI offers you all new possibilities for designing with light.
- Intelligent because ARINI can see, communicate, entertain and inform.
- And colourful since, with ARINI, more than accents can be set during the day and at night.

### Downloads

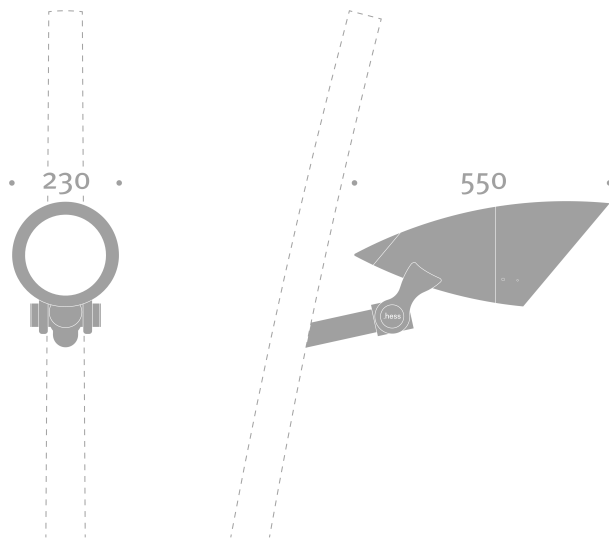
Drawings:	<a href="#">ARINI_Leuchtenkopf.png</a>
Installation instructions:	<a href="#">HessMA_ARINI.pdf</a>
Catalogue page:	<a href="#">Hess_DB_ARINI_EN.pdf</a>
Photometric reports:	<a href="#">ARI5774LC3B.GIF</a> <a href="#">ARI5774LC3B.LDT</a>

### Photometric reports



## ARINI LIGHT

### Drawings



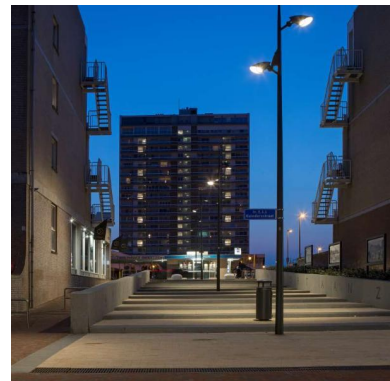
### Projects



Zandvoort  
NL - Zandvoort



Zandvoort  
NL - Zandvoort



Zandvoort  
NL - Zandvoort