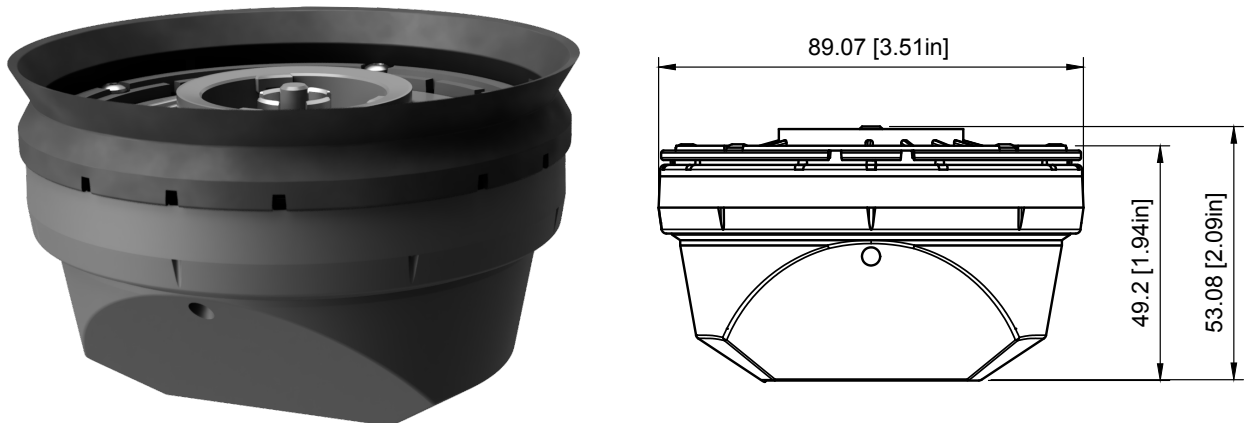


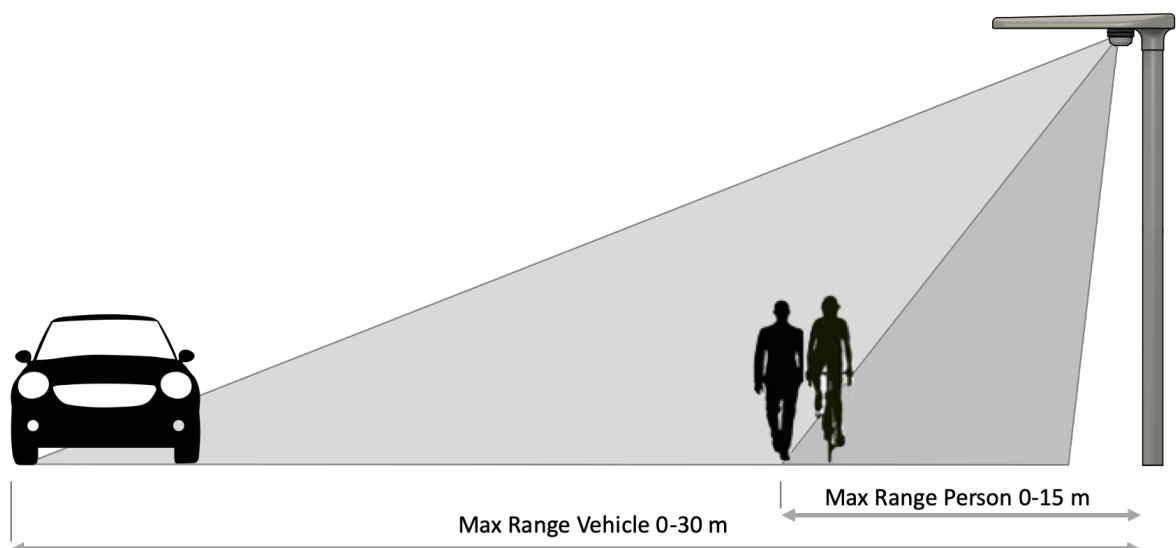
Comlight Eagle Eye Zhaga

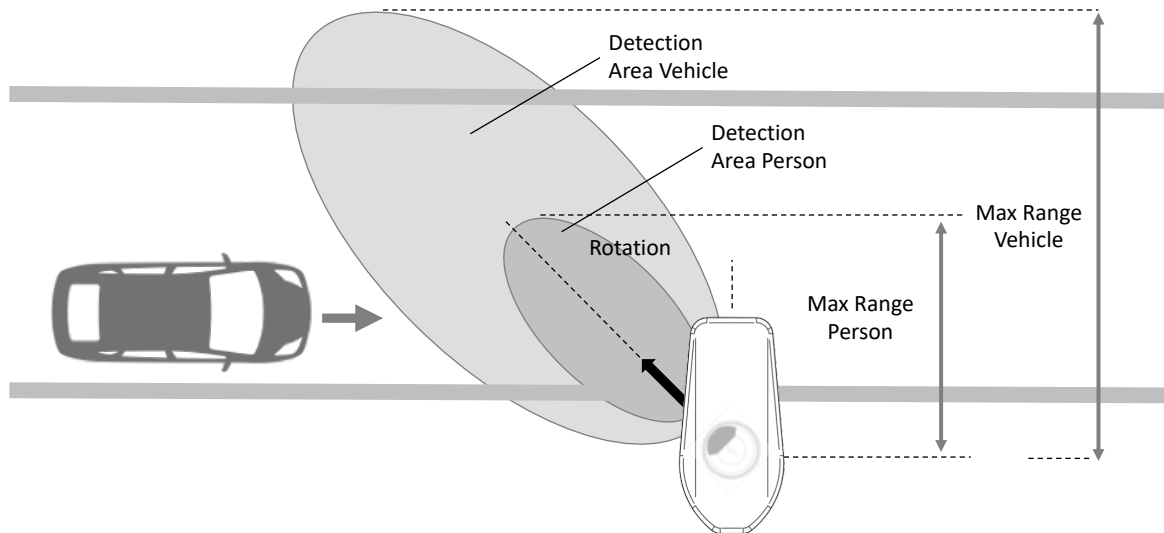


Comlight Eagle Eye Zhaga is a motion detection light controller for luminaires complying with Zhaga Book 18 specification and SR (System Ready) concept. The sensor is designed according to Dali-2 (IEC62386), part 303 Occupancy sensor as a D4i Type B device, in addition to automatically taking role as a Type A controller device if no other controller is present.

The sensor detects pedestrians, cyclists and vehicles using an advanced doppler radar detector. Commissioned in a network of several sensor, the system provides light-ahead functionality, lighting up the path, street or road ahead. The Zhaga socket receptacle must be mounted below the luminaire, and oriented according to Zhaga Book 18 recommendations.

Configuration of the system and access to the system in operation is done over a Comlight Gateway Unit, provided in pole-mount or Zhaga versions. Non-connected systems are commissioned using a Comlight Radio Dongle. Comlight Eagle Eye Zhaga has an adjustable radar housing, making it possible to select the detection area. The system detects objects (pedestrians, cyclists and vehicles) over a wide range of 3-150 km/h.





Sensor Height	Rotation					
	+/- 90°		+/- 45°		0°	
	Max Range Person	Max Range Vehicle	Max Range Person	Max Range Vehicle	Max Range Person	Max Range Vehicle
4 m	+/- 4 m	+/- 5 m	0 - 6 m	~8 m	1-4 m	~10 m
6 m	+/- 4 m	+/- 6 m	0 - 7 m	~12 m	1-2 m	~16 m
8 m	+/- 2 m	+/- 7 m	2 - 4 m	~16 m	-	~20 m
10 m	-	+/- 7 m	-	~20 m	-	~24 m

Electrical

- Supply voltage: 24 VDC from LED driver
- Electrical class III (SELV)
- Power consumption standard version: < 1 W.

RF Communication

- Frequency: 868.35 MHz
- Output Power: ≤13.9 dBm

K-Band Doppler Radar

- Frequency: 24.050-24.250GHz
- Output Power: ≤26.9 dBm

Mechanical

- Temperature range: -30 to +60° C
- Protection Type: IP66
- Housing Material: Luran (PC and ASA blend)
- Color: RAL7016 Anthracite grey
- Dimensions: 89 x 89 x 53 (plus rubber skirt)
- Weight: 125 g

Gateway Options

- A: (LTE Cat-1, UMTS/HSPA, GSM / GPRS / EDGE)
- B: (LTE Cat-M1, NB-IoT, GSM / GPRS / EDGE)

CE

- Product is CE labeled.

Safety

- IEC 61347-2-11 (First Edition):2001 Used in conjunction with;
- IEC 61347-1:2015 (Third Edition) Luminaires - Part 1: General requirements and tests

EMC

- Final draft ETSI EN 301 489-01:V2.2.2
- ETSI EN 301 489-03:V2.1.1, ETSI EN 301 489-51:V2.1.1 and ETSI EN 301 489-52:V1.1.0
- ETSI EN 300 220-1:V3.1.1 and ETSI EN 300 220-2:V3.2.1 (Transmitter Spurious Emissions)
- ETSI EN 301 908-01:V11.1.1 (Transmitter Spurious Emissions)
- ETSI EN 301 908-13:V11.1.2 (Transmitter Spurious Emissions)
- ETSI EN 300 440:V2.1.1 (Output power and Spurious Emissions)

Radio

- ETSI EN 300 220-1 V3.1.1 (2017-02)
- ETSI EN 300 220-2 V3.1.1 (2017-02)

RoHS & WEEE

- Directive 2011/65/EU
- Directive 2012/19/EU
- Directive 2009/125/EC