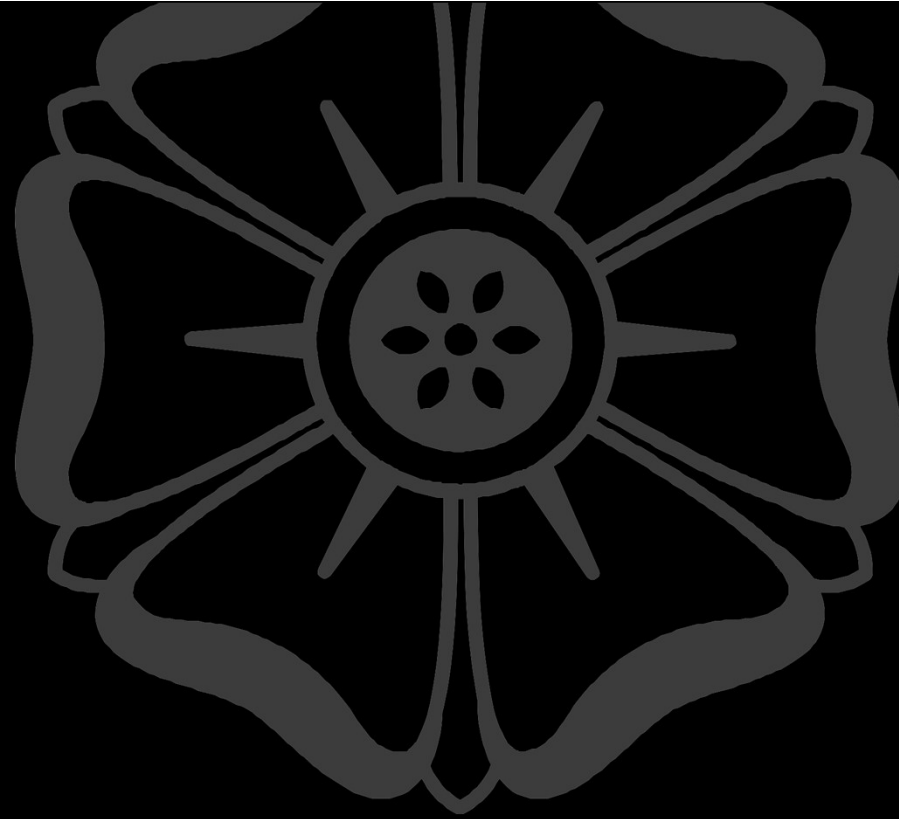


**NERI**



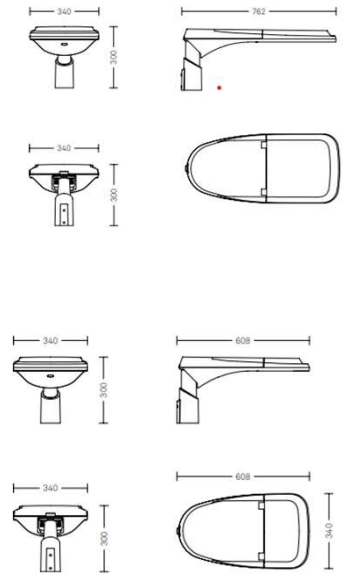
Neri range key selling points  
2022

Neri plus key points

Street light

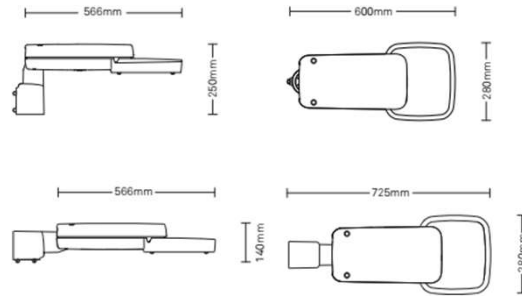
# Antares

- Current LED < 400mA
- IPEA\* A3+
- Tools free
- + 8 optic dsitributions
- SPD 10-10kV
- Die cast alluminum
- Save glass system
- Smart programmable
- 2700K, 3000K, 4000K
- Up to 18000lm
- Efficacy 140 lm/W
- Smart city ready



# Milos

- Current LED < 400mA
- IPEA\* A3+
- + 8 optic dsitributions
- SPD 10-10kV
- Die cast alluminum
- Save glass system
- Smart programmable
- 2700K, 3000K, 4000K
- Up to 13500lm
- Efficacy 155 lm/W
- Smart city ready



Neri plus key points

Urban landscape

# Polis

- Current LED < 400mA
- IPEA\* A3+
- With cable
- Tools free
- + 8 optic dsitributions
- SPD 10-10kV
- Die cast alluminum
- Save glass system
- Smart programmable
- 2700K, 3000K, 4000K
- Up to 13500lm
- Efficacy 140 lm/W
- Smart city ready

Sorgente - 2700K						
Sistema**			Modulo LED			
lm	W	lm/W	n.LED	mA	W	lm/W
2500	17,3	145	16	2 x 170	14,7	170
3500	25,1	139	16	2 x 243	21,3	164
4500	32,2	140	16	2 x 319	28,4	158
6000	41,6	144	24	2 x 281	37,2	161
7500	54,1	139	24	2 x 358	48,2	156
9000	63,0	143	32	2 x 319	56,8	158
10500	74,9	140	32	2 x 378	68,0	154
12000	87,9	137	32	2 x 439	79,8	150
13500	93,6	144	48	2 x 319	85,2	158

Sorgente - 3000K						
Sistema**			Modulo LED			
lm	W	lm/W	n.LED	mA	W	lm/W
2500	16,7	150	16	2 x 163	14,1	177
3500	24,2	145	16	2 x 233	20,4	171
4500	30,9	146	16	2 x 306	27,2	166
6000	39,8	151	24	2 x 269	35,6	168
7500	51,9	144	24	2 x 344	46,1	163
9000	60,4	149	32	2 x 306	54,4	166
10500	71,7	147	32	2 x 363	65,0	161
12000	84,2	143	32	2 x 421	76,2	157
13500	89,7	150	48	2 x 306	81,6	166

Sorgente - 4000K						
Sistema**			Modulo LED			
lm	W	lm/W	n.LED	mA	W	lm/W
2500	16,0	156	16	2 x 156	13,5	186
3500	23,3	150	16	2 x 223	19,5	180
4500	29,6	152	16	2 x 292	25,9	174
6000	37,9	158	24	2 x 257	34,0	177
7500	49,6	151	24	2 x 328	43,8	171
9000	57,8	156	32	2 x 292	51,8	174
10500	68,3	154	32	2 x 346	61,9	170
12000	80,2	150	32	2 x 401	72,4	166
13500	85,7	158	48	2 x 292	77,6	174



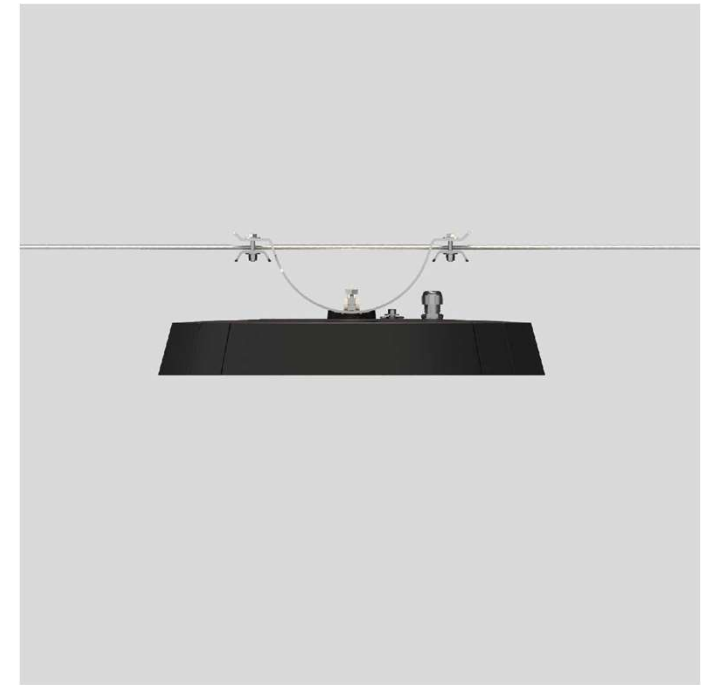
Post top version



Post top version - side version

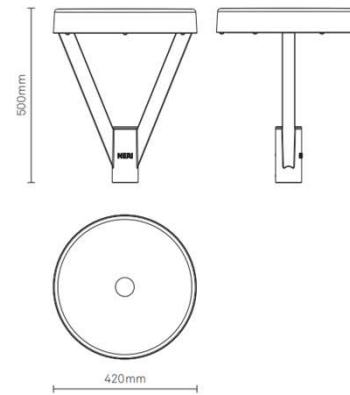


Catenary version (Including 3  
\ 4 gas version)



# Lyra

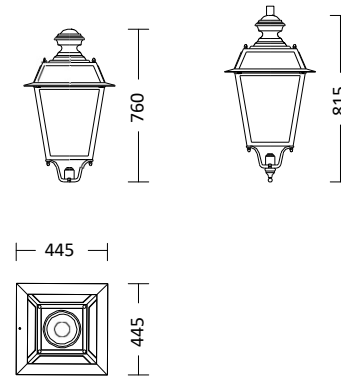
- 60mm top post connector
- Current LED < 400mA
- IPEA\* A3+
- + 8 optic dsitributions
- SPD 10-10kV
- Die cast alluminum
- Save glass system
- Smart programmable
- 2700K, 3000K, 4000K
- Efficacy 130 lm/W
- Smart city ready





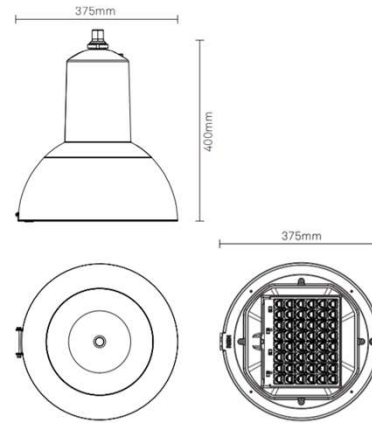
# Light 803

- IK09
- L90B10 – 100.000ore
- Current LED < 400mA
- IPEA\* A3+
- With cable
- Tools free
- + 8 optic dsitributions
- SPD 10-10kV
- Die cast alluminum
- Smart programmable
- 2700K, 3000K, 4000K
- Efficacy 140 lm/W
- Smart city ready
- Zhaga ready
- IP66
- NERI Kruithof system – Tunable white;
- NPSB – Neri passive safety board
- High Comfort – no glare
- Easy to disassemble
- 2x2 pmma lenses to be mixed up in endless possible configurations



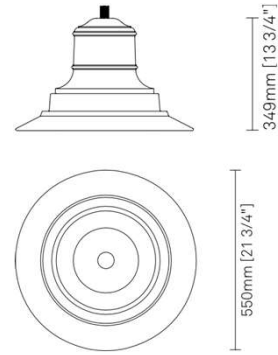
# Nova

- Prismatic glass available
- Ik 10
- Up to 12.000lm
- Current LED < 400mA
- IPEA\* A3+
- + 8 optic dsitributions
- SPD 10-10kV
- Die cast alluminum
- Smart programmable
- 2700K, 3000K, 4000K
- Efficacy 140 lm/W
- Smart city ready



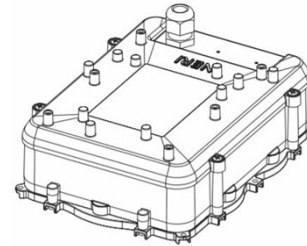
# Light 21

- 3\4GAS
- Current LED < 400mA
- IPEA\* A3+
- + 8 optic dsitributions
- SPD 10-10kV
- Die cast alluminum
- Smart programmable
- 2700K, 3000K, 4000K
- Efficacy 130 lm/W
- Smart city ready with antenna



# KIT RNC21

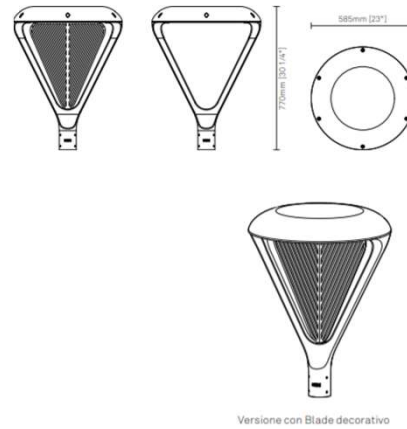
- Current LED < 400mA
- IPEA\* A3+
- With cable
- + 8 optic dsitributions
- SPD 10-10kV
- Die cast alluminum
- Smart programmable
- 2700K, 3000K, 4000K
- Efficacy 140 lm/W
- Smart city ready
- Smart city ready
- Zhaga ready
- IP66
- NERI Kruithof system – Tunable white;
- NPSB – Neri passive safety board
- High Comfort – no glare
- Easy to disassemble
- 2x2 pmma lenses to be mixed up in endless possible configurations



Neri plus key points  
Decorative high end

# Lang

- Die cast alluminum
- 2700K, 3000K, 4000K
- 1 or 2 indipendend eyes.
- Smart city ready
- High Comfort
- 2x2 in pmma modular lenses
- IK09 – IP66
- L90B10 – 100.000ore
- 15000lm (7500lm+7500lm)
- Custom gemometiers availables
- Decorative customizable blade

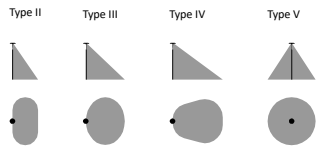


# Lang

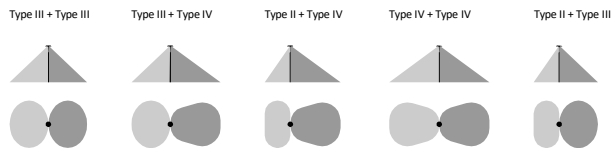
Lang's two light sources not only minimise the shadow generated by the post top structure, but allow endless custom configurations. Lang is available in Basic, Ready or Pro version.

The 'Pro' version is fully customisable. The two sources could be completely different one from the other in terms of distribution, flux and intensity, allowing lighting professionals total freedom. The independence of the two light sources and drivers is the equivalent of having two luminaires mounted on the same post at same or at different heights. There are three different screen options to choose from: prismatic, transparent or opal-white (same glass choice for both sources). Lumen output ranges from 1,500 to 15,000.

## Basic



## Ready



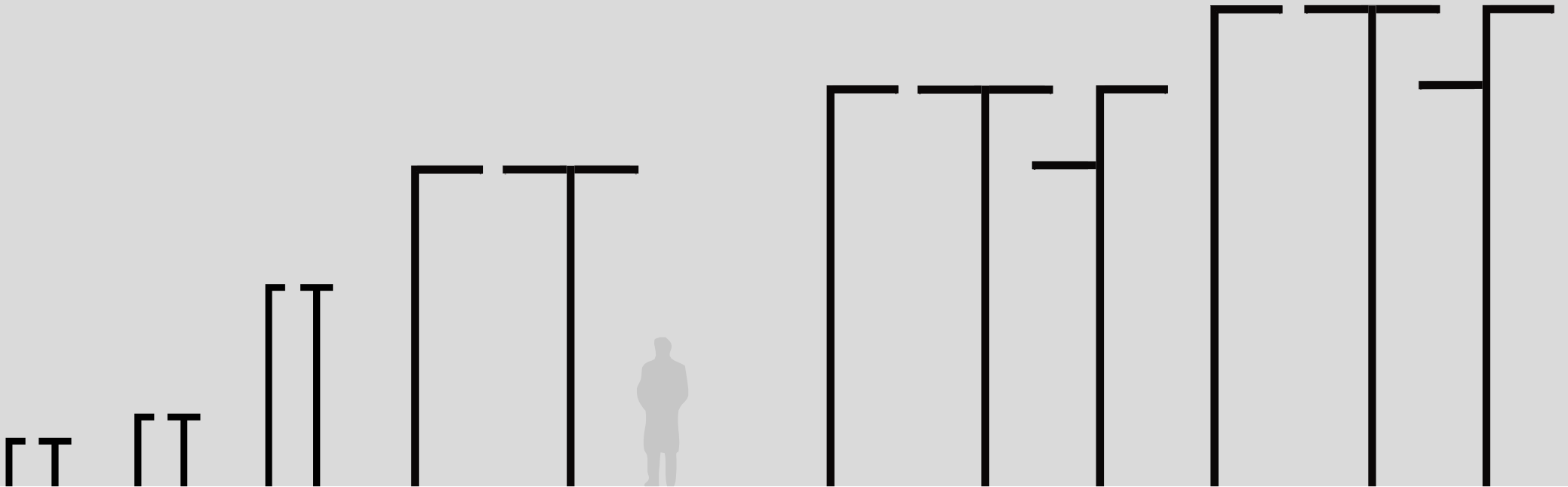
BACK	FRONT
ON *	* ON
OFF	OFF
Lighting distribution	Lighting distribution
Type II	Type II
Type III	Type III
Type IV	Type IV
Type V	Type V
Color temperature	Color temperature
3,000K	3,000K
4,000K	4,000K
Luminous flux	Luminous flux
1,500lm	1,500lm
2,500lm	2,500lm
3,500lm	3,500lm
4,500lm	4,500lm
6,000lm	6,000lm
7,500lm **	** 7,500lm
Other	Other
Driver Functions	Driver Functions
1-10V + NCL	1-10V + NCL
AmpDim + NCL	AmpDim + NCL
DALI + NCL	DALI + NCL NVL
NVL + NCL	+ NCL





# Pictor collection

- Collections of bollards and posts
- 100% aluminum extrusion
- Efficacy > 140 lm/W



# Pictor customizable

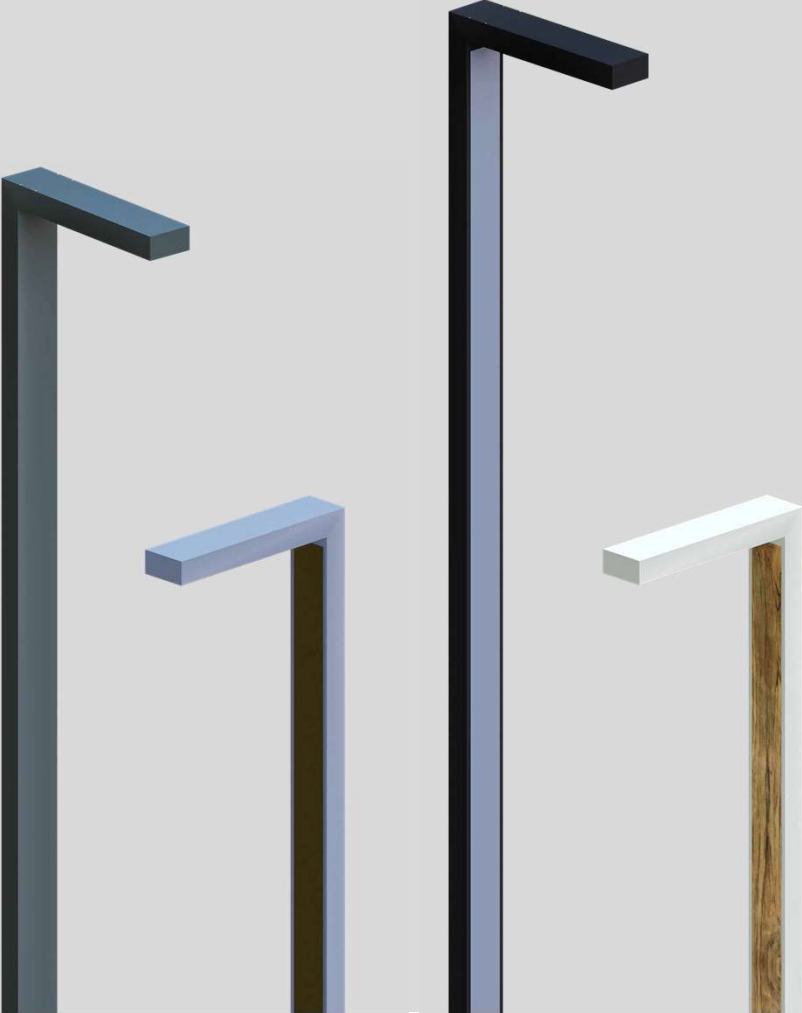
- Customizable claddings to be applied front and back hand

### Post finishes

 Neri Grey	 Intense black RAL9005	 White aluminum RAL9006
 Pure white RAL9010	 Moss green RAL6005	 Gray aluminum RAL9007

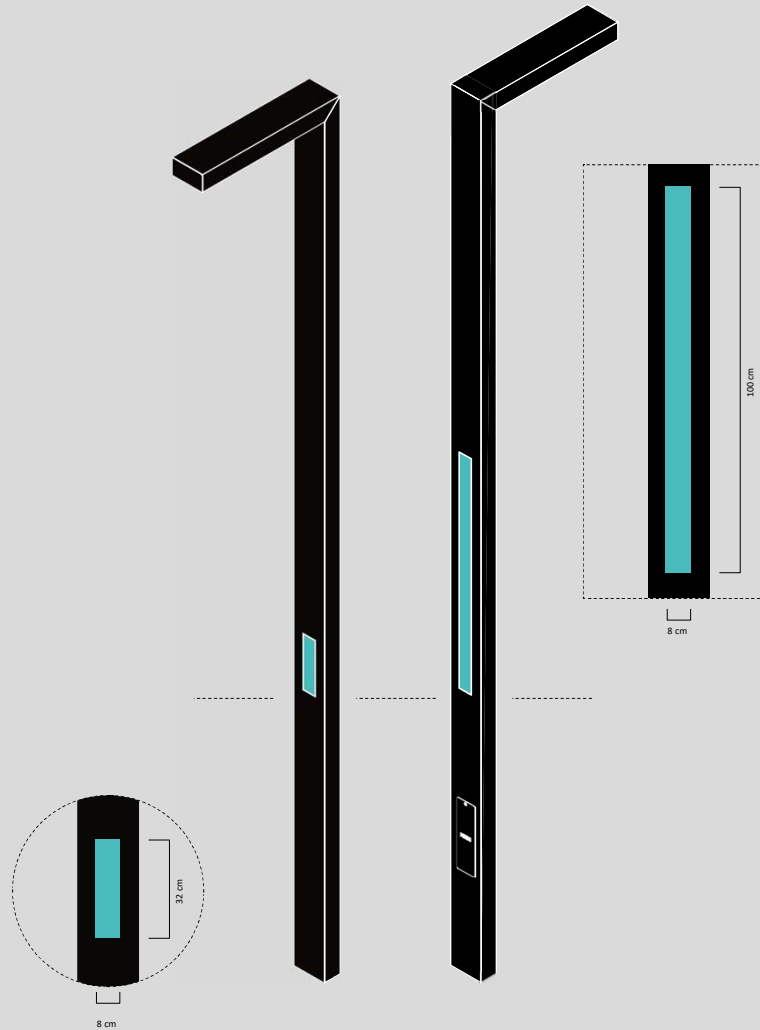
### Cladding finishes

 Neri Grey	 White aluminum RAL9006
 Bronze	 Wood



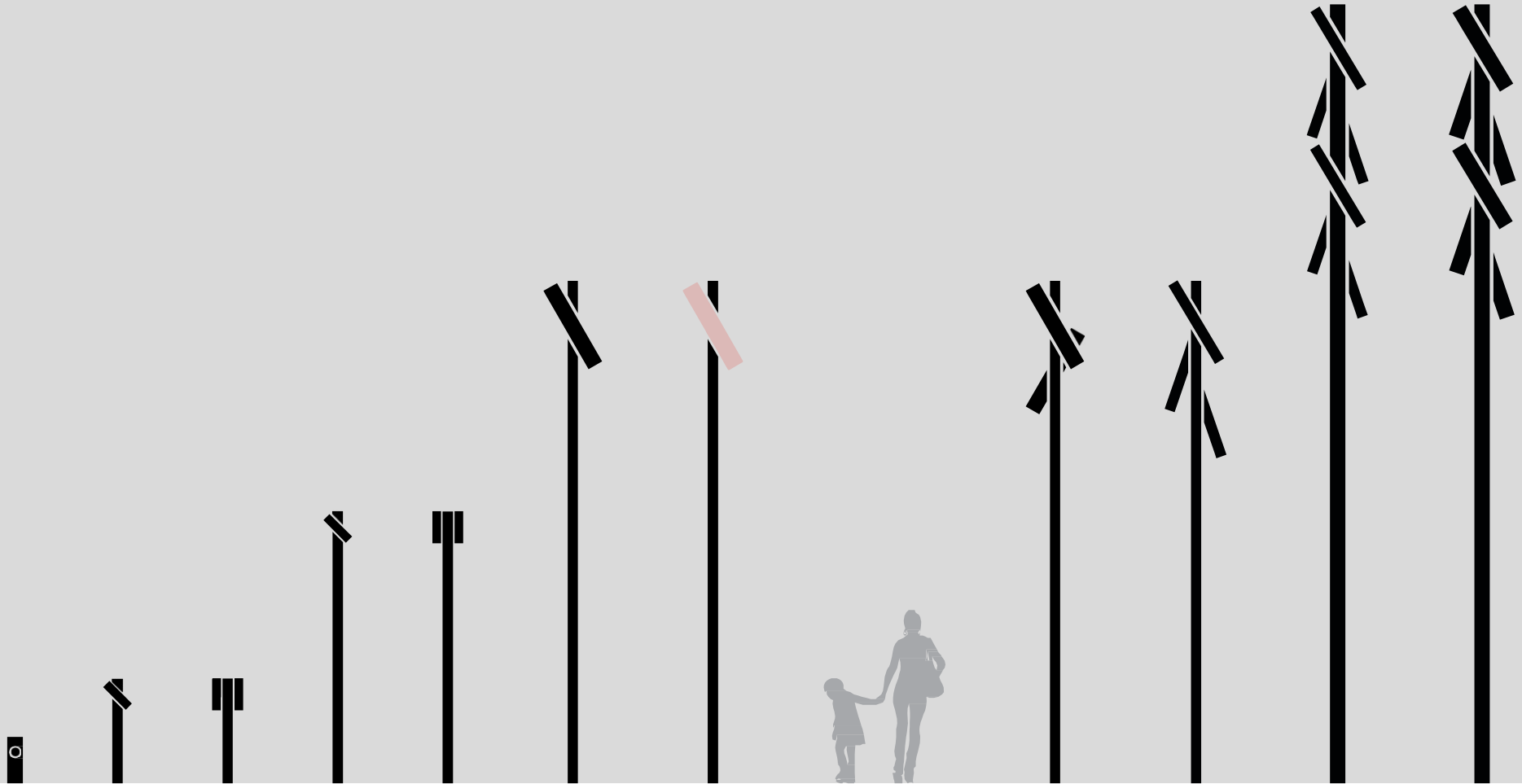
# Pictor customizable

- RGBW module included
- 32cm or 100cm long.



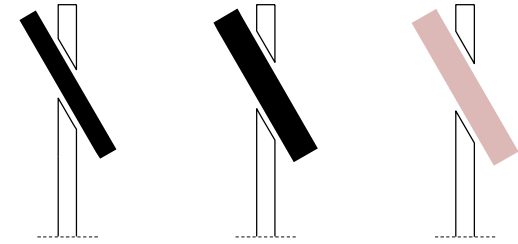
# Nebula collection

- Collections from bollards to posts
- Flexible and minimal

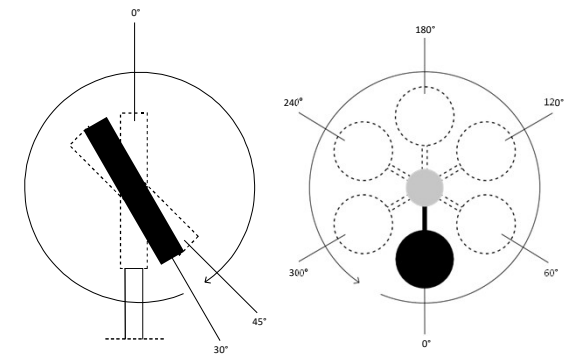


# Nebula possibilities

- small Ø 105mm, Large Ø 155mm o Venezia
- 2 light emissions
- Multiple titltin / revolving system
- Smart eady: zhaga, tcamera, wifi, planter, banner holder, speackers.



Select luminaire size and decide how many you need for your scheme. Three luminaire head types are available: Nebula Small (S), Nebula Large (L) and Nebula Venezia (V).



Nebula system luminaire heads can tilt (0°, 30°, 45° or any other angle) and revolve (0° - 120°). Select your preferred tilt and revolving angles.

