

FILA

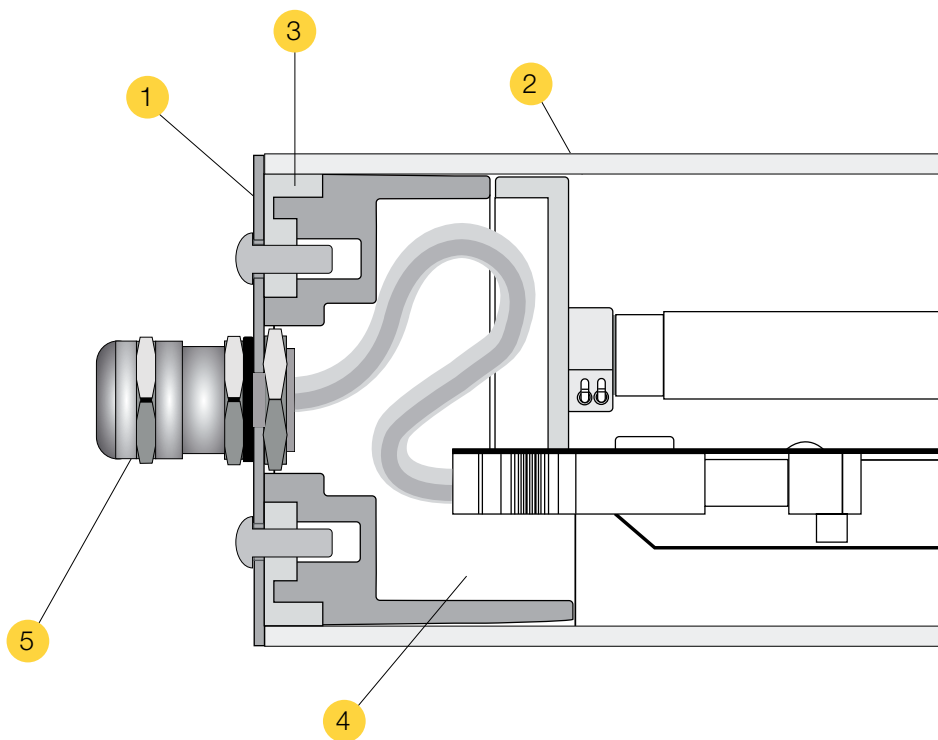
Pure line

Fila is an uncluttered architectural luminaire, designed for lighting public areas and highlighting building facades.

Highly resistant due to its IK10+/80 joule diffuser, highly elegant due to its polished stainless steel end pieces and its white polycarbonate internal parts, Fila is a luminaire designed for both new LED sources and dimmable fluorescence.



- 1 Polished stainless steel end pieces for greater resistance
- 2 Clear or opalescent polycarbonate diffuser up to 4 mm thick
- 3 Moulded silicone gasket IP67
- 4 Polyamide decorative cover to hide internal connections
- 5 M20 cable gland (nickel-plated brass)



Fila 70 without support brackets

Support brackets for Fila

Fila 70 option pre-wired with connectors





FILA

FILA



Specifications:

- Weather and vandal resistant linear light fitting
- Two sizes: diameter 70 mm and 100 mm
- Transparent or opal polycarbonate body, thickness 4 mm (ø 70) or 3 mm (ø 100)
- Decorative polyamid internal parts
- Stainless steel end pieces
- Secured by 2 stainless steel socket head screws on each end
- Plug-in terminal block
- Nickel-plated brass cable gland (IP67 ISO M20) at one end
- Stainless steel support brackets with socket head (supports are supplied with light fittings)

Options:
(please contact us)

Asymmetric reflector
Louver
1W or 3W LED night light
Tamperproof screws
Through-wiring
Pre-wired with connectors



LED module:

- 6 x 1.5 W LED module
- Mounted on aluminium heat dissipation plate
- Average colour temperature: 3800 K / IRC (Ra) > 80
- LED power supply: constant voltage 24 V DC
- Total module power: 9.50 W
- Average service life 50000 hours at 25 °C ambient temperature



Corridor function:

By default, the Corridor function provides standby lighting by reducing the luminous flux to 10% of its rated value.
On request, we can also preset the fittings to operate with a switch-off warning signal, i.e. to reduce then stop the luminous flux.

Light fittings without built-in motion sensor:

The Corridor function can be activated by another master luminaire, a remote detector, a timer switch or a daylight sensor.



Dimmable fluorescence (EEI = A1):

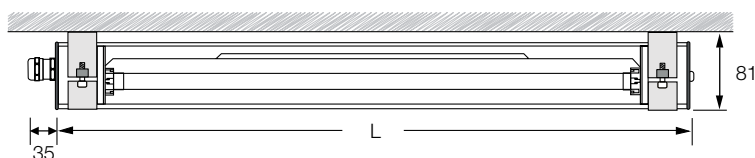
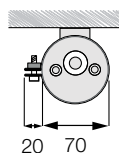
Three types of controls are included in the same dimmable HF ballast: DALI, DSI, or SWITCH-DIM (momentary push-button switch operated).



HF ballast (EEI = A2):

- Warm cathode HF ballast
- Non dimmable
- Power factor $\cos \phi > 0.95$

FILA 70



LED (excluding power supply)

24 V DC RoHS

	Number of 6 x LED modules	Wattage	Length L (mm)	Power supply	Clear diffuser + optics	Opal diffuser
	2	19 W	715	A	LF1502	LF2502
	3	28,5 W	965	B	LF1503	LF2503
	4	38 W	1 225	C	LF1504	LF2504
	5	47,5 W	1 475	D	LF1505	LF2505
	6	57 W	1 725	D	LF1506	LF2506

REMOTE POWER SUPPLY FOR LED

220-240 V AC / 50 Hz RoHS

MODULE	Length x Width x Height (mm)	Code
A: 20 W power supply 24V-DC	149 x 39 x 28	CONV0220
B: 30 W power supply 24V-DC	145 x 47 x 30	CONV0230
C: 45 W power supply 24V-DC	181 x 62 x 35	CONV0235
D: 60 W power supply 24V-DC	181 x 62 x 35	CONV0240

HF FLUORESCENCE

220-240 V AC / 50 Hz RoHS

LAMP			Length L (mm)	Clear diffuser	Opal diffuser
	1 x 18 W T8	G13	712	LF1118	LF2118
	1 x 36 W T8	G13	1 322	LF1136	LF2136
	1 x 58 W T8	G13	1 622	LF1158	LF2158
	1 x 14 W-24 W T5	G5	670	LF1114	LF2114
	1 x 21 W-39 W T5	G5	970	LF1121	LF2121
	1 x 28 W-54 W T5	G5	1 270	LF1128	LF2128
	1 x 35 W-49 W T5	G5	1 570	LF1135	LF2135

DALI DIMMABLE FLUORESCENCE + CORRIDOR FUNCTION⁽¹⁾

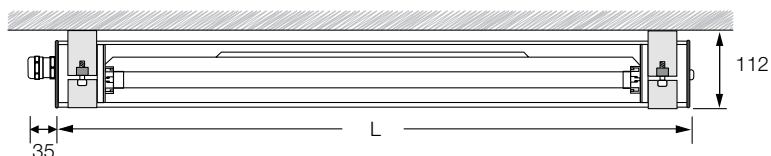
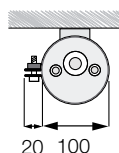
220-240 V AC / 50 Hz RoHS

LAMP			Length L (mm)	Clear diffuser	Opal diffuser
	1 x 36W T8	G13	1322	LF1136-BHD	LF2136-BHD
	1 x 58W T8	G13	1622	LF1158-BHD	LF2158-BHD
	1 x 14W-24W T5	G5	670	LF1114-BHD	LF2114-BHD
	1 x 21W-39W T5	G5	970	LF1121-BHD	LF2121-BHD
	1 x 28W-54W T5	G5	1270	LF1128-BHD	LF2128-BHD
	1 x 35W-49W T5	G5	1570	LF1135-BHD	LF2135-BHD

(1) Requires external control (remote motion sensor or other master luminaire, etc.) to activate the Corridor function.

SUPPORT BRACKETS	Code
Stainless steel support bracket for Fila 70 mm (per unit)	PLF1010
Stainless steel support bracket for Fila 100 mm (per unit)	PLF5010

FILA 100



LED (built-in power supply)

220-240 V AC / 50 Hz

	Number of 6 x LED modules	Wattage	Length L (mm)	Clear diffuser + optics	Opal diffuser
	2	23 W	715	LF5502	LF6502
	3	34,5 W	965	LF5503	LF6503
	4	46 W	1225	LF5504	LF6504
	5	57,5 W	1475	LF5505	LF6505
	6	69 W	1725	LF5506	LF6506

FLUORESCENCE (HF)

220-240 V AC / 50 Hz

	LAMP		Length L (mm)	Clear diffuser	Opal diffuser
	1 x 18 W T8	G13	712	LF5118	LF6118
	2 x 18 W T8	G13	712	LF5218	LF6218
	1 x 36 W T8	G13	1 322	LF5136	LF6136
	2 x 36 W T8	G13	1 322	LF5236	LF6236
	1 x 58 W T8	G13	1 622	LF5158	LF6158
	2 x 58 W T8	G13	1 622	LF5258	LF6258
	1 x 14 W-24 W T5	G5	670	LF5114	LF6114
	2 x 14 W-24 W T5	G5	670	LF5214	LF6214
	1 x 21 W-39 W T5	G5	970	LF5121	LF6121
	2 x 21 W-39 W T5	G5	970	LF5221	LF6221
	1 x 28 W-54 W T5	G5	1 270	LF5128	LF6128
	2 x 28 W-54 W T5	G5	1 270	LF5228	LF6228
	1 x 35 W-49 W T5	G5	1 570	LF5135	LF6135
	2 x 35 W-49 W T5	G5	1 570	LF5235	LF6235

DALI DIMMABLE FLUORESCENCE + CORRIDOR FUNCTION (1)

220-240 V AC / 50 Hz

	LAMP		Length L (mm)	Clear diffuser	Opal diffuser
	1 x 18 W T8	G13	712	LF5118-BHD	LF6118-BHD
	2 x 18 W T8	G13	712	LF5218-BHD	LF6218-BHD
	1 x 36 W T8	G13	1 322	LF5136-BHD	LF6136-BHD
	2 x 36 W T8	G13	1 322	LF5236-BHD	LF6236-BHD
	1 x 58 W T8	G13	1 622	LF5158-BHD	LF6158-BHD
	2 x 58 W T8	G13	1 622	LF5258-BHD	LF6258-BHD
	1 x 14 W-24 W T5	G5	670	LF5114-BHD	LF6114-BHD
	2 x 14 W-24 W T5	G5	670	LF5214-BHD	LF6214-BHD
	1 x 21 W-39 W T5	G5	970	LF5121-BHD	LF6121-BHD
	2 x 21 W-39 W T5	G5	970	LF5221-BHD	LF6221-BHD
	1 x 28 W-54 W T5	G5	1 270	LF5128-BHD	LF6128-BHD
	2 x 28 W-54 W T5	G5	1 270	LF5228-BHD	LF6228-BHD
	1 x 35 W-49 W T5	G5	1 570	LF5135-BHD	LF6135-BHD
	2 x 35 W-49 W T5	G5	1 570	LF5235-BHD	LF6235-BHD

(1) Requires external control (remote motion sensor or other master luminaire, etc.) to activate the Corridor function.