

BANG



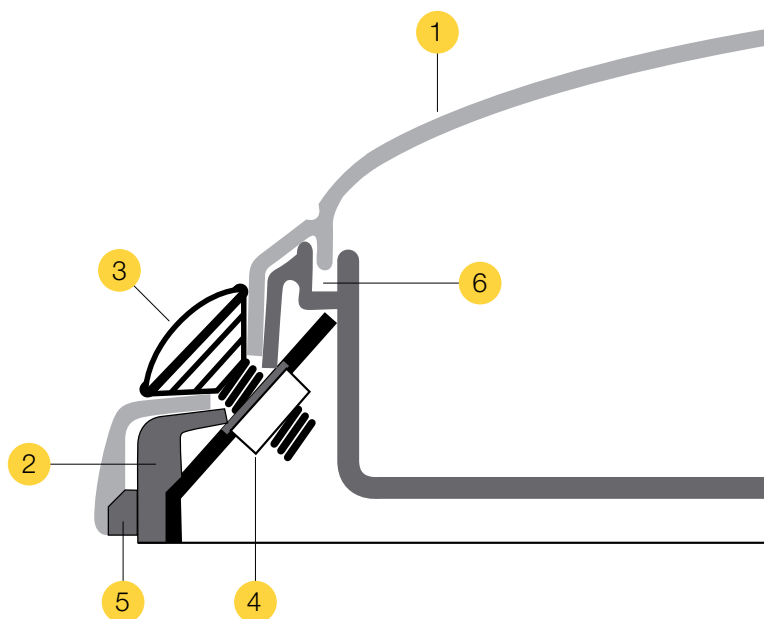
IK10+ / 50 JOULES

Bang is an architectural light fitting for social housing and public areas: schools, sports clubs, hotels, etc.

Its exceptional impact resistance (up to 50 joules) makes it a decorative and different light fitting, perfectly adapted to environments exposed to vandalism.



- 1 Anti-reflective polycarbonate diffuser
- 2 Coloured based protected by the diffuser
- 3 Tamperproof screws and large decorative washers
- 4 Removable counter-nut (easy maintenance)
- 5 Lever-resistant base
- 6 IP55 rated silicone gasket



More resistance

- IK10+ / 50 joules.
- Double enclosure
- Tamperproof screws



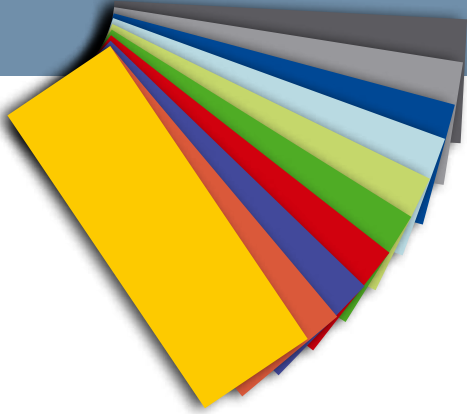
More savings

- LED light sources
- Built-in microwave motion detection
- High power factor HF ballasts

More colours

- Four standard colours
- Special and RAL colours on request

"À LA CARTE" COLOUR



Choose a colour from the standard Bang range or select a colour of your choice from the hundreds in the RAL colour scheme!

The patented full coverage of the Bang mechanism by its satin diffuser means we can apply a colour coating on the base and protect it by reclosing the unit. (*)

(*) The opal diffuser is not compatible with coloured bases.



N.B.: RAL colours are considered as an approximate value. As the colour of the base is seen through the diffuser, the final rendering may be slightly different from the exact RAL colour chosen.



More softness

Colours seen through transparent diffusers, satin, slightly pearled.



More flexibility

An original industrial process tailor-made for producing small quantities of custom products with short lead times!



Greater resistance

Colours protected from weather and vandalism, so they last much longer!

For more information,
contact our customer service

