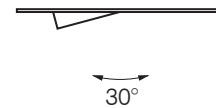


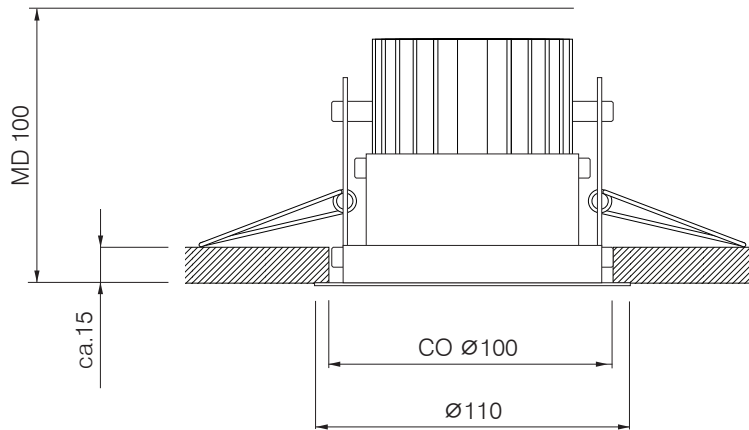
JUNIOR tiltable dynamic

Recessed spotlight

Tiltable spotlight adjustable up to 30°. Available with different light characteristics. The 2-channel control of warm-white, neutral-white or cool-white LED chip enables a dynamic adjustment of color temperature. Suitable for general and accent lighting, as well as an energy-saving exchange for low-voltage spots



Lamp	Luxeon Z ES	
LED lumen output	2200 K, CRI 80 = 1200 lm	2700 K, CRI 90 = 1280 lm
The reference values based @ 700 mA	4000 K, CRI 80 = 1760 lm	5700 K, CRI 90 = 1520 lm
Lighting technology	Reflector: J6 aluminium specular anodize	
Control gear	LED driver external	
Dimming (options)	1-10 V, DALI, Push	
Luminaire type, mounting	Ceiling built-in, tool-free with tension springs	
Dimensions	D 110 mm, CO 100 mm, H 85 mm, MD 100 mm	
Cast, heat sink	Sheet steel, protective screen, extruded aluminium profile	
Colour / finish	Powder coated, RAL 9016 (other RAL colors optional)	
Protection marking, compliance	IP 20, CE	
Specials	Customized versions, more light colours or color renderings on request	



EVG on/off = EV

1-10 V = AV

Dali = DA

Push = PH

Please replace the item number placeholder XX with the listed operating device options:

Light distribution	Light colour	Colour rendering	Control gear	Order No.	+RAL
<p>2x20°</p> <p>cd / 1000 lm</p>	2200 – 4000 K	CRI 80	1-10 V, DALI, Push	A 501R I 9580 XX	9016
	2700 – 4000 K	CRI 90	1-10 V, DALI, Push	A 501R I 9790 XX	9016
	2200 – 5000 K	CRI 80	1-10 V, DALI, Push	A 501R I 9880 XX	9016
	2700 – 5700 K	CRI 90	1-10 V, DALI, Push	A 501R I 9990 XX	9016
<p>2x30°</p> <p>cd / 1000 lm</p>	2200 – 4000 K	CRI 80	1-10 V, DALI, Push	A 501R M 9580 XX	9016
	2700 – 4000 K	CRI 90	1-10 V, DALI, Push	A 501R M 9790 XX	9016
	2200 – 5000 K	CRI 80	1-10 V, DALI, Push	A 501R M 9880 XX	9016
	2700 – 5700 K	CRI 90	1-10 V, DALI, Push	A 501R M 9990 XX	9016
<p>2x40°</p> <p>cd / 1000 lm</p>	2200 – 4000 K	CRI 80	1-10 V, DALI, Push	A 501R R 9580 XX	9016
	2700 – 4000 K	CRI 90	1-10 V, DALI, Push	A 501R R 9790 XX	9016
	2200 – 5000 K	CRI 80	1-10 V, DALI, Push	A 501R R 9880 XX	9016
	2700 – 5700 K	CRI 90	1-10 V, DALI, Push	A 501R R 9990 XX	9016
<p>2x50°</p> <p>cd / 1000 lm</p>	2200 – 4000 K	CRI 80	1-10 V, DALI, Push	A 501R V 9580 XX	9016
	2700 – 4000 K	CRI 90	1-10 V, DALI, Push	A 501R V 9790 XX	9016
	2200 – 5000 K	CRI 80	1-10 V, DALI, Push	A 501R V 9880 XX	9016
	2700 – 5700 K	CRI 90	1-10 V, DALI, Push	A 501R V 9990 XX	9016