

GALILEO 2 TUNNEL EB

MAIN CHARACTERISTICS

Applications	Tunnel lighting.
Optic	ASC: Asymmetric optic with adjustable emission for tunnel reinforcement lighting. SS: Symmetric optic with adjustable emission for tunnel permanent lighting. Colour temperature: 5700K (4000K optional) CRI ≥ 70 Photobiological safety class: EXEMPT GROUP LED source efficiency: 168 lm/W @ 525mA, T _j =85°C, 5700K
Insulation class	II, I
Protection degree	IP66 IK08
LED Modules	Removable / Replaceable optical unit
Tilt Angle	<i>See dimensional drawings section</i>
Dimensions	
Weight	
Exposed surface	
Mounting	
Gear tray	Mounting on the luminaire body with integrated flanges. Optional: separated box with M/F IP66/68 quick release connectors.
Operating temp.	-40°C / +50°C (525mA) -40°C / +35°C (700mA)
Storage temp.	-40°C / +80°C
Main reference standards	EN 60598-1, EN 60598-2-3, EN 60598-2-5, EN 62471, EN 55015, EN 61547, EN 61000-3-2, EN 61000-3-3

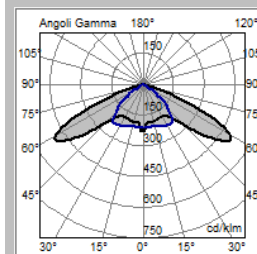


ELECTRICAL CHARACTERISTICS

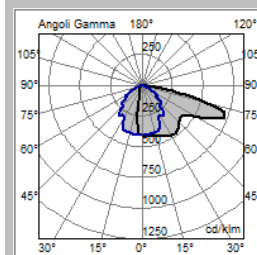
Rated voltage	220±240V 50/60Hz (<i>Standard tolerance +/-10%, other voltages and tolerances upon request</i>)
Power factor	>0,9 (at full load)
Mains connection	Cable FG7-OM1 0.6/1kV 2/3x1,5 mm ² L=1,5 mt Optional: FTG10-OM1 0.6/1kV 2/3x1,5 mm ² L=1,5 mt Optional: plug IEC309 2P+T 16A IP67
Surge protection	Up to 10kV With SPD (optional) 10kV / 10kV CM/DM
SPD (optional)	10kV-10kA, type II, with LED signal and thermo fuse to disconnect load at the end of life.
Control system (options)	F: Fixed power not dimmable. DB: Dual Power with control wire. DALI: Digital dimming interface DALI. FLC: Constant light flux.
Optical unit lifetime (T_q=25°C, 700mA)	>100.000hr L90B10 >100.000hr L90, TM-21

MATERIALS

Fixing	Stainless steel AISI 304 (AISI 316L optional) with plastic spacers to avoid galvanic corrosion.
Heat-sink	Die-cast aluminium UNI EN1706 with low copper content.
Body	Powder painted.
Gear tray	Anodized aluminum (body). Die-cast aluminum (caps)
Optic	99.85% aluminium with a surface finish in 99.95% with vacuum-sealed deposition. Alluminum grade class A+ (DIN EN 16268)
Screen	Flat tempered glass, 5mm thickness.
Cable gland	Metallic, M20x1,5 – IP68
Gasket	Polyurethane
Colour	Graphite - Cod. 01



SS-6W Optic



ASC-7W Optic

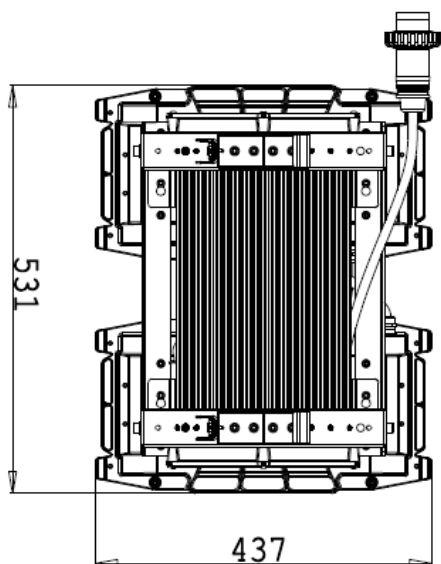
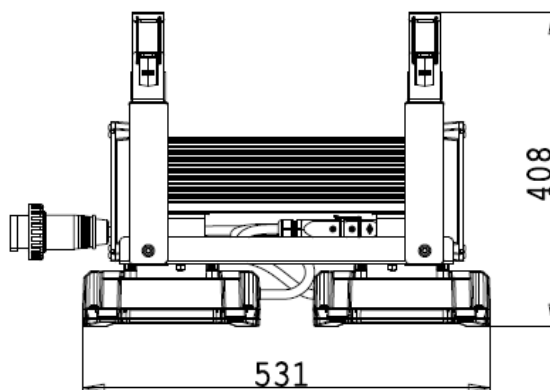
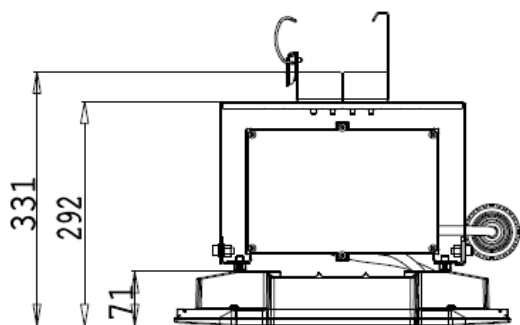
All the published photometrical data has been obtained according to EN 13032-1

GALILEO 2 TUNNEL EB

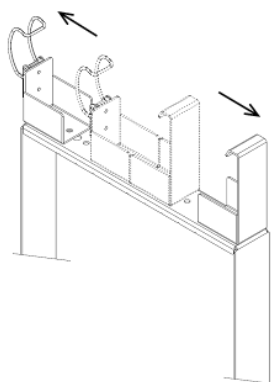
Product sheet

DIMENSIONAL DRAWINGS

WEIGHT WITHOUT FIXING FLANGE: 19 kg
 SIDE SURFACE: 0.10 m²
 TOP SURFACE: 0.20 m²



FIXING FLANGE



Adjustable fixing flange for cable channel
 100x75mm up to 300x75mm.
 Tilt angle on request.

1.8 kg





LUMINAIRE	OPTIC	RATED LUMINAIRE FLUX* (Tq=25°C, 5700K, lm)	RATED LUMINAIRE POWER* (Tq=25°C, Vin=230Vac, F/DA/DAC, W)	LUMINAIRE EFFICACY (Tq=25°C, lm/W)	RATED LED FLUX* (Tj=85°C, 5700K, lm)	RATED LED POWER* (Tj=85°C, W)
Galileo 2 Tunnel EB 0F6 6.5-4M	ASC-4W	20850	150	139	25252	140
Galileo 2 Tunnel EB 0F6 6.5-5M		24960	190	131	31565	175
Galileo 2 Tunnel EB 0F6 6.5-6M		29820	224	133	37878	210
Galileo 2 Tunnel EB 0F6 6.7-4M	ASC-4W	25660	201	127	31968	188
Galileo 2 Tunnel EB 0F6 6.7-5M		30660	254	120	39960	235
Galileo 2 Tunnel EB 0F6 6.7-6M		36630	300	122	47952	282
Galileo 2 Tunnel EB 0F6 6.5-4M	ASC-5W	20460	150	136	25252	140
Galileo 2 Tunnel EB 0F6 6.5-5M		24610	190	129	31565	175
Galileo 2 Tunnel EB 0F6 6.5-6M		29260	224	130	37878	210
Galileo 2 Tunnel EB 0F6 6.7-4M	ASC-5W	25190	201	125	31968	188
Galileo 2 Tunnel EB 0F6 6.7-5M		30220	254	118	39960	235
Galileo 2 Tunnel EB 0F6 6.7-6M		35930	300	119	47952	282
Galileo 2 Tunnel EB 0F6 6.5-4M	ASC-6W	20170	150	134	25252	140
Galileo 2 Tunnel EB 0F6 6.5-5M		24260	190	127	31565	175
Galileo 2 Tunnel EB 0F6 6.5-6M		28850	224	128	37878	210
Galileo 2 Tunnel EB 0F6 6.7-4M	ASC-6W	24830	201	123	31968	188
Galileo 2 Tunnel EB 0F6 6.7-5M		29780	254	117	39960	235
Galileo 2 Tunnel EB 0F6 6.7-6M		35420	300	118	47952	282
Galileo 2 Tunnel EB 0F6 6.5-4M	ASC-7W	19780	150	131	25252	140
Galileo 2 Tunnel EB 0F6 6.5-5M		23910	190	125	31565	175
Galileo 2 Tunnel EB 0F6 6.5-6M		28430	224	126	37878	210



LUMINAIRE	OPTIC	RATED LUMINAIRE FLUX* (Tq=25°C, 5700K, lm)	RATED LUMINAIRE POWER* (Tq=25°C, Vin=230Vac, F/DA/DAC, W)	LUMINAIRE EFFICACY (Tq=25°C, lm/W)	RATED LED FLUX* (Tj=85°C, 5700K, lm)	RATED LED POWER* (Tj=85°C, W)
Galileo 2 Tunnel EB 0F6 6.7-4M		24360	201	121	31968	188
Galileo 2 Tunnel EB 0F6 6.7-5M	ASC-7W	29360	254	115	39960	235
Galileo 2 Tunnel EB 0F6 6.7-6M		34900	300	116	47952	282
Galileo 2 Tunnel EB 0F6 6.5-4M	SS-6A	20370	150	135	25252	140
Galileo 2 Tunnel EB 0F6 6.5-5M	SS-6M	24620	188	130	31565	175
Galileo 2 Tunnel EB 0F6 6.5-6M	SS-6W	29280	227	128	37878	210
Galileo 2 Tunnel EB 0F6 6.7-4M	SS-6A	25090	201	124	31968	188
Galileo 2 Tunnel EB 0F6 6.7-5M	SS-6M	30230	253	119	39960	235
Galileo 2 Tunnel EB 0F6 6.7-6M	SS-6W	35960	304	118	47952	282
Galileo 2 Tunnel EB 0F6 6.5-4M	SS-7A	19780	150	131	25252	140
Galileo 2 Tunnel EB 0F6 6.5-5M	SS-7M	23910	190	125	31565	175
Galileo 2 Tunnel EB 0F6 6.5-6M	SS-7W	28430	224	126	37878	210
Galileo 2 Tunnel EB 0F6 6.7-4M	SS-7A	24360	201	121	31968	188
Galileo 2 Tunnel EB 0F6 6.7-5M	SS-7M	29360	254	115	39960	235
Galileo 2 Tunnel EB 0F6 6.7-6M	SS-7W	34900	300	116	47952	282

*RATED LUMINAIRE FLUX / RATED LUMINAIRE POWER: Rated data obtained in laboratory.

*RATED LED FLUX / RATED LED POWER: Rated data extrapolated from LED manufacturer datasheet.

Values indicated in this technical sheet are to be considered rated values. Flux tolerance: ±7%. Power tolerance: ±5%.

The characteristics of the product listed above are subjected to change without notice.



LUMINAIRE	OPTIC	RATED LUMINAIRE FLUX* (Tq=25°C, 4000K, lm)	RATED LUMINAIRE POWER* (Tq=25°C, Vin=230Vac, F/DA/DAC, W)	LUMINAIRE EFFICACY (Tq=25°C, lm/W)	RATED LED FLUX* (Tj=85°C, 4000K, lm)	RATED LED POWER* (Tj=85°C, W)
Galileo 2 Tunnel EB 0F6 4.5-4M	ASC-4W	20440	150	136	23604	140
Galileo 2 Tunnel EB 0F6 4.5-5M		24470	190	128	29505	175
Galileo 2 Tunnel EB 0F6 4.5-6M		29240	224	130	35406	210
Galileo 2 Tunnel EB 0F6 4.7-4M	ASC-4W	25160	201	125	29880	188
Galileo 2 Tunnel EB 0F6 4.7-5M		30060	254	118	37350	235
Galileo 2 Tunnel EB 0F6 4.7-6M		35910	300	119	44820	282
Galileo 2 Tunnel EB 0F6 4.5-4M	ASC-5W	20060	150	133	23604	140
Galileo 2 Tunnel EB 0F6 4.5-5M		24130	190	127	29505	175
Galileo 2 Tunnel EB 0F6 4.5-6M		28690	224	128	35406	210
Galileo 2 Tunnel EB 0F6 4.7-4M	ASC-5W	24700	201	122	29880	188
Galileo 2 Tunnel EB 0F6 4.7-5M		29630	254	116	37350	235
Galileo 2 Tunnel EB 0F6 4.7-6M		35230	300	117	44820	282
Galileo 2 Tunnel EB 0F6 4.5-4M	ASC-6W	19770	150	131	23604	140
Galileo 2 Tunnel EB 0F6 4.5-5M		23780	190	125	29505	175
Galileo 2 Tunnel EB 0F6 4.5-6M		28280	224	126	35406	210
Galileo 2 Tunnel EB 0F6 4.7-4M	ASC-6W	24340	201	121	29880	188
Galileo 2 Tunnel EB 0F6 4.7-5M		29200	254	114	37350	235
Galileo 2 Tunnel EB 0F6 4.7-6M		34730	300	115	44820	282
Galileo 2 Tunnel EB 0F6 4.5-4M	ASC-7W	19390	150	129	23604	140
Galileo 2 Tunnel EB 0F6 4.5-5M		23440	190	123	29505	175
Galileo 2 Tunnel EB 0F6 4.5-6M		27870	224	124	35406	210



LUMINAIRE	OPTIC	RATED LUMINAIRE FLUX* (Tq=25°C, 4000K, lm)	RATED LUMINAIRE POWER* (Tq=25°C, Vin=230Vac, F/DA/DAC, W)	LUMINAIRE EFFICACY (Tq=25°C, lm/W)	RATED LED FLUX* (Tj=85°C, 4000K, lm)	RATED LED POWER* (Tj=85°C, W)
Galileo 2 Tunnel EB 0F6 4.7-4M		23880	201	118	29880	188
Galileo 2 Tunnel EB 0F6 4.7-5M	ASC-7W	28780	254	113	37350	235
Galileo 2 Tunnel EB 0F6 4.7-6M		34220	300	114	44820	282
Galileo 2 Tunnel EB 0F6 4.5-4M	SS-6A	19970	150	133	23604	140
Galileo 2 Tunnel EB 0F6 4.5-5M	SS-6M	24140	188	128	29505	175
Galileo 2 Tunnel EB 0F6 4.5-6M	SS-6W	28710	227	126	35406	210
Galileo 2 Tunnel EB 0F6 4.7-4M	SS-6A	24600	201	122	29880	188
Galileo 2 Tunnel EB 0F6 4.7-5M	SS-6M	29640	253	117	37350	235
Galileo 2 Tunnel EB 0F6 4.7-6M	SS-6W	35250	304	115	44820	282
Galileo 2 Tunnel EB 0F6 4.5-4M	SS-7A	19390	150	129	23604	140
Galileo 2 Tunnel EB 0F6 4.5-5M	SS-7M	23440	190	123	29505	175
Galileo 2 Tunnel EB 0F6 4.5-6M	SS-7W	27870	224	124	35406	210
Galileo 2 Tunnel EB 0F6 4.7-4M	SS-7A	23880	201	118	29880	188
Galileo 2 Tunnel EB 0F6 4.7-5M	SS-7M	28780	254	113	37350	235
Galileo 2 Tunnel EB 0F6 4.7-6M	SS-7W	34220	300	114	44820	282

*RATED LUMINAIRE FLUX / RATED LUMINAIRE POWER: Rated data obtained in laboratory.

*RATED LED FLUX / RATED LED POWER: Rated data extrapolated from LED manufacturer datasheet.

Values indicated in this technical sheet are to be considered rated values. Flux tolerance: ±7%. Power tolerance: ±5%.

The characteristics of the product listed above are subjected to change without notice.